

Marine Installation Manual

X72-B

Issue **2023-03**

© 2023 Winterthur Gas & Diesel Ltd. — All rights reserved

No part of this publication may be reproduced or copied in any form or by any means (electronic, mechanical, graphic, photocopying, recording, taping or other information retrieval systems) without the prior written permission of the copyright holder. Winterthur Gas & Diesel Ltd. makes no representation, warranty (express or implied) in this publication and assumes no responsibility for the correctness, errors or omissions of information contained herein. Information in this publication is subject to change without notice.

NO LIABILITY, WHETHER DIRECT, INDIRECT, SPECIAL, INCIDENTAL OR CONSEQUENTIAL, IS ASSUMED WITH RESPECT TO THE INFORMATION CONTAINED HEREIN. THIS PUBLICATION IS INTENDED FOR INFORMATION PURPOSES ONLY.

List of Changes

The following tables reflect the changes and updates to the contents of this document.
Minor changes in layout or language are not taken into consideration.

Revision:	04	Date of issue:	2023-03	
Location of change			Subject	
1 Engine Summary			Principle engine dimensions and weights removed (shown in Chapter 3)	
1.2.1 Engine rating field - rating points			Performance data removed from Table 1-3 (provided by GTD)	
1.3 Engine tuning			Delta Tuning is no longer available for this engine	
3 Engine Installation			Whole chapter restructured	
3.1.2 Crane requirements			Crane hoisting speed updated and horizontal speed added	
3.3.2 Minimum requirements for escape routes			Minimum requirements for escape routes on the platforms updated	
3.10 Twin-engine propulsion			New section added	
3.12.3 Ancillary systems design parameters			Exhaust gas back pressure requirements updated	
4.3 Lubricating oil systems			Section updated	
4.3.7 Drain tank Inclination angles			Tables 4-4, 4-5, 4-6 updated	
4.10.5 PTO application			New section added	
5.8 The intelligent combustion control			New section added	
6.1.2 Countermeasures for second order vertical mass moments			Further information on second order moment balancing added	
9.2 List of acronyms			Table 9-2 updated	

Revision:	03	Date of issue:	2022-08	
Location of change			Subject	
0 Preface			Whole chapter restructured and content updated	
1 Engine Summary			Whole chapter restructured and content updated	
1.3 Engine tuning Shaft power meter option			Whole section restructured and content updated. Standard Tuning is no longer available for this engine. LowTV tuning option removed as it is applied as standard. Subsection added.	
2 Engine Power and Speed			Whole chapter restructured and content updated	
3 Engine Installation			Whole chapter restructured and content updated	
3.1.2 Crane requirements			Crane speed information updated	
3.1.3 Thermal expansion between the turbocharger and exhaust gas piping			Title and paragraph rewritten and note added	
3.1.4 Content of fluids in the engine			Section updated	
3.2 Conditions and requirements			Section restructured and content updated	
3.2.4 Electrical power requirement			Table 3-2 updated: New design for trace heating of cylinder lubricating oil pipes introduced	
3.5 Engine foundation and seating			Whole section restructured and content updated	

Revision:	03	Date of issue:	2022-08	
Location of change			Subject	
4 Ancillary Systems			Whole chapter restructured	
4.1 Twin-engine installation			Table 4-1 updated to include new air and fuel specifications	
4.2 Cooling water system			Section restructured and content updated	
4.2.2 High-temperature circuit Buffer unit			LSH and LSL specification updated	
4.2.5 Cooling water treatment			Table 4-2 updated and note added	
4.3.2 Main lubricating oil system System oil			System oil specifications updated	
4.3.7 Drain tank Inclination angles			Tables 4-4, 4-5, 4-6 updated	
4.5.3 Control air			Air quality class updated	
4.6.1 Sludge oil trap solutions			New structure introduced and two alternative sludge oil trap solutions added	
4.7 Exhaust gas system Single turbocharger exhaust gas pipe arrangement			Bypass arrangement for single turbocharger application omitted	
4.8.4 Outside ambient air temperature			Operational temperature range requirements added	
4.9.2 Fluid velocities and flow rates			Further information added	
4.10 PTO, PTI, PTH and primary generator applications			PTI option on free end removed	
4.10.2 Arrangements for PTO, PTI, PTH and primary generator			Figure 4-28 updated	
4.10.3 Application constraints			Table 4-14 updated	
4.10.5 PTO testing			PTO testing information added	
5.4.2 Recommended manoeuvring characteristics FPP manoeuvring steps and warm-up times			Note added: Acceleration above FULL SEA 2 speed included	
5.7 WinGD Integrated Digital Expert (WiDE)			General update of the product description and customers' benefits. Figure 5-8 updated.	
6.2.2 Reduction of lateral vibration			Section restructured and content updated	
6.3 Longitudinal vibration (pitching)			Removal of hydraulic type stays of WinGD design	
6.4.1 Reduction of torsional vibration Spring damper			Spring damper oil flow specification updated	
7 Engine Emissions			Exhaust gas emissions comparisons and calculations criteria added. Regulations refined and updated.	
7.1.5 Selective catalytic reduction for NO _x emissions control			New section added	
7.1.6 Scrubber for SO _x emissions control			New section added	
9.1 Classification societies			Table 9-1 updated	
9.2 List of acronyms			Table 9-2 updated	

Revision:	02	Date of issue:	2020-06	
Location of change			Subject	
Preface Introduction Marine Installation Drawing Set			WinGD MDO/MGO definition clarified Remark added to DG 9730	
1 Engine Description — Introduction — WinGD Engine Control System			Fuel specification changed from 'MDO' to 'MGO' Engine Control System 'UNIC': trade name changed to function name	
1.3 Components and sizes of the engine Design features			This section removed, overview table added on page 1-1 instead	
1.4 Engine tuning			Section renamed, updated and restructured	
1.5 The Flex system			Figure 1-10, Engine Control System 'UNIC': trade name changed to function name	
2.2.4 Power range Light running margin (LR)			Section rewritten	
2.2.5 Power range limits			Section rewritten and updated	
2.2.6 Power range limits with ME driven generator for FPP			Section title changed; section rewritten and updated	
2.2.7 Prohibited operation area			Section title changed; section rewritten and updated	
2.2.8 CPP requirements for Propulsion Control System			New section added with updated content from former section 2.2.7	
2.5 Electrical power requirement			Table 2-4: - footnote 'Preliminary' removed from auxiliary blowers data - Engine Control System 'UNIC': trade name changed to function name	
3.1 Dimensions and masses			Table 3-1: crane capacities for double-jib crane and DF-ready configuration added New paragraph replaces former table 3-2	
3.5.1 Assembly of subassemblies			Note added	
3.9.2 Earthing device Position of earthing device on shaft			Note added	
4.2 Cooling water system			Whole section updated and restructured	
4.3.2 Main lubricating oil system Lubrication of crosshead bearings			New paragraph specifies application of booster pump for crosshead lubrication	
4.4 Fuel oil system			Section partly revised	
4.5.2 System specification Starting air compressors Starting air receivers			Delivery gauge pressure defined more precisely Working gauge pressure defined more precisely	
4.8 Engine room ventilation			Whole section restructured; content updated	
4.10 PTO, PTI, PTH and primary generator applications			Whole section updated	
5 Engine Automation Whole chapter			Engine Control System 'UNIC': trade name changed to function name	
5.4 Propulsion Control Systems			Table 5-1 updated	
5.4.2 Recommended manoeuvring characteristics Introduction FPP manoeuvring steps and warm-up times CPP manoeuvring steps and warm-up time			Paragraph added Figure 5-6 added Figure 5-7 added	
5.6 Alarm sensors and safety functions			Section rewritten	
5.7 WinGD Integrated Digital Expert			New section added	
6 Engine Dynamics			Whole chapter restructured; content updated	
7.2 Engine noise			Introduction updated	
9.1 Classification societies			Table 9-1: footnote removed	
9.2 List of acronyms			Updated	

Revision:	01	Date of issue:	2018-11	
Location of change			Subject	
1.1 Power/speed range			Figure 1-1 updated	
1.2 Primary engine data			Table 1-1: guide feed rate of cylinder oil stated more precisely	
1.4.7 Tuning for de-rated engines			Figure 1-8 updated	
2.1 Pressure and temperature ranges			Paragraph rewritten and link name updated	
2.2 Engine rating field and power range			Whole section updated and restructured	
2.3.1 Reference conditions			Value for coolant temperature before SAC corrected	
2.5 Electrical power requirement			Table 2-4 updated	
3.1.1 Dismantling heights for piston and cylinder liner			Links to external documents added	
3.1.4 Content of fluids in the engine			Table 3-3 completed	
3.2 Engine outline views			Links to external documents added	
3.3.1 Drawings			Paragraph rewritten	
3.10 Fire protection			Table 3-4: table head rewritten for clarification	
4.1 Twin-engine installation			Section restructured; more detailed information added	
4.2.2 Cooling water treatment			Link to external document: document name and link name updated	
4.2.4 Freshwater generator Calculation for freshwater production			Examples for alternatives 'A' and 'B' corrected	
4.3.1 Lubricating oil requirements			Link to external document: document name and link name updated	
4.3.5 Cylinder lubricating oil system Alternatives to finished cylinder oils			Link to external document: document name and link name updated	
4.4.1 Fuel oil system components Diesel oil cooler			Table: formula corrected	
4.4.4 Fuel oil treatment Centrifugal fuel oil separators			Example for throughput capacity calculation corrected	
4.4.6 Fuel oil specification			Paragraph updated	
4.9.1 Pipe connections			Links to external documents added	
5.4.2 Recommended manoeuvring characteristics FPP manoeuvring steps and warm-up times CPP manoeuvring steps and warm-up times			Paragraph reworded for clarification Table 5-2: table caption changed Paragraph reworded for clarification Table 5-3: table caption changed	
5.6.2 Signal processing			Link to external document changed	
6.7 Countermeasures for dynamic effects			New link to external document replaces former tables 6-1 & 6-2	
7.1.2 Selective catalytic reduction High-pressure SCR			Link to Concept Guidance added	
9 Appendix 9.2 List of acronyms			Restructured Updated	

Revision:	--	Date of issue:	2018-05	
Location of change			Subject	
---			First edition	

Table of Contents

List of Changes	1
0 Preface	0-1
Marine Installation Manual Introduction	0-1
Explanation of symbols in this Marine Installation Manual	0-2
Marine Installation Drawing Set	0-3
General Technical Data (GTD)	0-4
Operation and maintenance manuals	0-4
1 Engine Summary	1-1
1.1 Engine capability and features	1-1
Special engine features	1-2
1.2 Primary engine data	1-3
1.2.1 Engine rating field - rating points	1-4
1.3 Engine tuning	1-5
Shaft power meter option	1-5
1.3.1 Delta Bypass Tuning	1-7
Exhaust gas waste gate	1-8
Steam production	1-8
1.3.2 Low-load Tuning	1-9
1.3.3 Dual tuning	1-10
1.3.4 Options	1-11
High-pressure selective catalytic reduction	1-11
Low-pressure selective catalytic reduction	1-11
Steam production control	1-11
Scrubber	1-12
1.4 The Flex system	1-13
2 Engine Power and Speed	2-1
2.1 Introduction to power and speed	2-1
2.2 Engine rating field	2-1
Rating points	2-2
2.3 Influence of propeller diameter and revolutions	2-2
2.4 Power range	2-3
Propeller curves and operational points	2-3
Sea trial power	2-4
Sea margin	2-4
Light running margin	2-5
Continuous service rating	2-5
Engine margin	2-5
Contracted maximum continuous rating	2-5
2.5 Power range limits	2-6
2.6 Power range limits with a power take-off installation for a FPP	2-9
PTO incorporation of Method 1	2-9
PTO incorporation of Method 2	2-11
2.7 Prohibited operation area	2-12
Prohibited operation area for different speed rated engines	2-14
2.8 CPP requirements for the propulsion control system	2-17

3	Engine Installation	3-1
3.1	Engine dimensions and masses	3-1
3.1.1	Dismantling heights for piston and cylinder liner	3-2
3.1.2	Crane requirements	3-2
3.1.3	Thermal expansion between the turbocharger and exhaust gas piping	3-3
3.1.4	Content of fluids in the engine	3-4
3.2	Engine outline views	3-5
3.3	Platform arrangement	3-6
3.3.1	Drawings	3-6
3.3.2	Minimum requirements for escape routes	3-6
3.4	Engine foundation and seating	3-7
3.4.1	Engine load and force transmission	3-7
3.4.2	Engine foundation layouts	3-7
3.4.3	Engine installation and fixation	3-8
3.5	Assembly	3-11
3.5.1	Assembly of subassemblies	3-11
3.5.2	Installation of a complete engine	3-12
3.5.3	Installation of an engine from assembled subassemblies	3-12
3.5.4	Installation of an engine in ship on slipway	3-12
3.6	Engine and shaft alignment	3-13
3.6.1	Instructions and limits	3-13
3.6.2	Tools	3-13
3.7	Engine coupling	3-14
3.7.1	Design	3-14
3.7.2	Machining and fitting of coupling bolts	3-14
3.7.3	Tightening	3-14
3.7.4	Installation drawing	3-14
3.8	Engine stays	3-15
3.9	Propulsion shaft earthing	3-16
3.9.1	Preventive action	3-16
3.9.2	Earthing device	3-16
3.10	Twin-engine propulsion	3-19
3.11	Fire protection	3-20
3.12	Conditions and requirements	3-21
3.12.1	Pressure and temperature ranges	3-21
3.12.2	Operating conditions	3-21
3.12.2	Reference conditions	3-21
3.12.2	Design conditions	3-21
3.12.3	Ancillary systems design parameters	3-22
3.12.4	Electrical power requirement	3-23
4	Ancillary Systems	4-1
4.1	Twin-engine installation	4-2
4.2	Cooling water system	4-5
4.2.1	Low-temperature circuit	4-6
	Arrangement 1	4-7
	Arrangement 2	4-7
	Arrangement 3	4-8
	Low-temperature circuit components	4-9
4.2.2	High-temperature circuit	4-11
	High-temperature circuit components	4-11

4.2.3	Pre-heating	4-14
	Pre-heating from cooling water systems	4-14
	Pre-heating by direct water circulation	4-14
4.2.4	Freshwater generator	4-15
4.2.5	Cooling water treatment	4-16
4.2.6	General recommendations for the cooling water system design . . .	4-17
4.3	Lubricating oil systems	4-18
4.3.1	Lubricating oil requirements	4-18
4.3.2	Main lubricating oil system	4-18
	Main lubricating oil system components	4-19
	System oil	4-21
4.3.3	Flushing the lubricating oil system	4-21
4.3.4	Lubrication for turbochargers	4-21
4.3.5	Cylinder lubricating oil system	4-22
	Service tank and storage tank	4-22
	Electrical trace heating for ship side cylinder lubricating oil piping .	4-23
4.3.6	Maintenance and treatment of lubricating oil	4-25
4.3.7	Drain tank	4-26
4.4	Fuel oil system	4-31
4.4.1	Fuel oil system components	4-31
	Feed pump — Low-pressure fuel oil	4-32
	Pressure regulating valve	4-33
	Mixing unit	4-33
	Booster pump — High-pressure fuel oil	4-35
	End-heater	4-35
	Viscometer	4-36
	MDO/MGO heat exchanger	4-36
	Fuel oil filters — Arrangement 'A'	4-37
	Fuel oil filter — Arrangement 'B'	4-42
4.4.2	Flushing the fuel oil system	4-42
4.4.3	Fuel oil treatment	4-43
	Settling tanks	4-43
	Service tanks	4-43
	Centrifugal fuel oil separators	4-43
4.4.4	Pressurised fuel oil system	4-45
4.4.5	Fuel oil specification	4-45
4.4.6	Fuel oil viscosity-temperature dependency	4-46
4.5	Air supply system	4-47
4.5.1	Capacities of air compressor and receiver	4-48
4.5.2	System specification	4-48
	Starting air compressors	4-48
	Starting air receivers	4-48
4.5.3	Control air	4-49
4.5.4	Service and working air	4-49
4.6	Leakage collection system and washing devices	4-50
4.6.1	Sludge oil trap solutions	4-50
	General description of the sludge oil trap	4-50
	Solution 1: A constantly-drained sludge oil trap with separate sludge accumulation	4-51
	Solution 2: A manually bottom-drained sludge oil trap	4-52
	Solution 3: An automatically bottom-drained sludge oil trap	4-54
4.6.2	Draining of exhaust uptakes	4-56
4.6.3	Air vents	4-56

4.7	Exhaust gas system	4-57
4.8	Engine room ventilation	4-58
4.8.1	Ventilation requirements	4-58
4.8.2	Ventilation arrangement	4-59
	Arrangement 1 — Engine room ventilation system	4-60
	Arrangement 2 — Direct engine ventilation system	4-61
4.8.3	Air intake quality	4-62
4.8.4	Outside ambient air temperature	4-64
4.9	Piping	4-65
4.9.1	Pipe connections	4-65
4.9.2	Fluid velocities and flow rates	4-65
4.10	PTO, PTI, PTH and primary generator applications	4-66
4.10.1	Requirements	4-66
4.10.2	Arrangements for PTO, PTI, PTH and primary generator	4-66
4.10.3	Application constraints	4-68
4.10.4	Service conditions	4-70
4.10.5	PTO application	4-73
	Further services for evaluation of engine performance and X-EL advisory services	4-73
4.10.6	PTO testing	4-74
5	Engine Automation	5-1
5.1	DENIS	5-1
5.2	DENIS concept	5-2
5.2.1	Interface definition	5-2
5.2.2	Approved propulsion control systems	5-2
5.3	DENIS specification	5-3
5.3.1	DENIS interface specification	5-3
5.3.2	DENIS propulsion control specification	5-3
5.4	Propulsion control systems	5-4
5.4.1	Functions of the propulsion control system	5-6
	Remote control system	5-6
	Safety system	5-6
	Telegraph system	5-6
	Local manual control	5-6
	ECR manual control panel	5-6
	Options	5-7
5.4.2	Recommended manoeuvring characteristics	5-8
5.5	Alarm and monitoring system	5-11
5.5.1	Integrated solution	5-11
5.5.2	Split solution	5-11
5.6	Alarm sensors and safety functions	5-12
5.6.1	Signal processing	5-12
5.6.2	Requirements of WinGD and classification societies	5-12
5.7	WinGD Integrated Digital Expert (WiDE)	5-13
5.7.1	Data collection	5-13
5.7.2	Engine diagnostic module	5-14
5.7.3	The WiDE installation process	5-15
5.8	The intelligent combustion control	5-16
5.8.1	ICC control functions	5-16
5.8.2	ICC activation modes	5-16
5.8.3	ICC data	5-17

6	Engine Dynamics	6-1
6.1	External mass forces and moments	6-2
6.1.1	Balancing of mass forces and moments	6-2
6.1.2	Countermeasures for second order vertical mass moments	6-3
	Integrated electrical balancer (iELBA)	6-3
	Electrically-driven compensator (external compensator)	6-4
	Power related unbalance	6-5
6.2	External lateral forces and moments	6-6
6.2.1	Lateral vibration types	6-7
	H-type vibration	6-7
	X-type vibration	6-7
6.2.2	Reduction of lateral vibration	6-8
	Lateral stays	6-8
	Determining the minimum number of required lateral stays	6-10
	Electrically-driven compensator(s)	6-13
6.3	Longitudinal vibration (pitching)	6-14
	Reduction of longitudinal vibration (5-cylinder engines)	6-14
6.4	Torsional vibration	6-16
6.4.1	Reduction of torsional vibration	6-16
	Low-energy vibrations	6-17
	High-energy vibrations	6-17
6.4.2	PTO/PTI systems effect on torsional vibration	6-18
6.5	Axial vibration	6-19
	Reduction of axial vibration	6-19
6.6	Whirling vibration	6-20
6.7	Hull vibration	6-21
6.8	Countermeasures for dynamic effects	6-22
6.8.1	External mass moments and vibrations	6-22
6.8.2	Synchro-Phasing System in twin engines	6-23
	Concept	6-23
	Components and control	6-24
	Operating modes and restrictions	6-25
6.9	Order forms for vibration calculation & simulation	6-26
7	Engine Emissions	7-1
7.1	Exhaust gas emissions	7-1
7.1.1	Regulation and calculation criteria for NOx emissions	7-1
7.1.2	Regulation and calculation criteria for SOx emissions	7-2
7.1.3	Regulation and calculation criteria for CO2 emissions	7-3
7.1.4	PM emissions	7-4
7.1.5	Selective catalytic reduction for NOx emissions control	7-4
	High-pressure SCR	7-5
	Low-pressure SCR	7-5
7.1.6	Scrubber for SOx emissions control	7-8
7.2	Engine noise	7-12
7.2.1	Air-borne noise	7-12
7.2.2	Exhaust noise	7-14
7.2.3	Structure-borne noise	7-16

8	Engine Dispatch	8-1
8.1	Engines to be transported as part assemblies	8-1
8.2	Protection of disassembled engines	8-1
8.3	Removal of rust preventing oils after transport	8-1
8.3.1	Internal parts	8-1
8.3.2	External parts	8-1
9	Appendix	9-1
9.1	Classification societies	9-1
9.2	List of acronyms	9-2
9.3	SI dimensions for internal combustion engines	9-5
9.4	Approximate conversion factors	9-7

List of Tables

1-1	X72-B summary values for Maximum Continuous Rating (MCR)	1-1
1-2	Principal engine features and technologies	1-2
1-3	Rating points	1-4
1-4	Available basic tunings	1-6
2-1	Line 5 coefficients	2-7
2-2	Line 6 coefficients	2-8
2-3	Line 10 coefficients	2-10
3-1	Engine dimensions and masses	3-1
3-2	Advantages and disadvantages for the standard and narrow engine foundation layouts	3-8
3-3	Recommended quantities of fire extinguishing medium	3-20
3-4	Electrical power requirement	3-23
4-1	Common and independent systems in twin-engine installations	4-2
4-2	Recommended parameters for raw water	4-16
4-3	Heating cable specification	4-23
4-4	Minimum inclination angles for full operability of the engine (1)	4-28
4-5	Minimum inclination angles for full operability of the engine (2)	4-29
4-6	Minimum inclination angles for full operability of the engine (3)	4-30
4-7	Specification of automatic self-cleaning filter in feed system	4-39
4-8	Specification of automatic self-cleaning filter in booster system	4-40
4-9	Specification of duplex filter in booster system	4-41
4-10	Control air flow capacities	4-49
4-11	Guidance for air filtration	4-62
4-12	Operational temperature range requirements of the turbocharger	4-64
4-13	PTO/PTI/PTH arrangements for X72-B	4-68
4-14	Possible options for X72-B	4-68
4-15	Influence of options on engineering	4-69

5-1	Suppliers of remote control systems	5-4
5-2	Recommended manoeuvring steps and warm-up times for FPP	5-9
5-3	Recommended manoeuvring steps and warm-up times for CPP	5-10
5-4	Additional class requirements for alarm sensors and safety functions	5-12
6-1	Countermeasures for external mass moments	6-22
6-2	Countermeasures for lateral and longitudinal vibrations	6-22
6-3	Countermeasures for torsional and axial vibrations of the shafting	6-22
9-1	List of classification societies	9-1
9-2	List of acronyms	9-2
9-3	SI dimensions	9-5
9-4	Conversion factors	9-7

List of Figures

0-1	GTD screenshot	0-4
1-1	Power/speed range of WinGD diesel engines	1-3
1-2	Typical BSFC curves in relation to engine power.	1-6
1-3	Steam production power diagram	1-7
1-4	Functional principle of an exhaust gas waste gate	1-8
1-5	Steam production of Delta Bypass Tuning with variable bypass	1-12
1-6	Flex system parts	1-13
2-1	Rating field for the X72-B	2-1
2-2	Propeller curves and operational points	2-4
2-3	Power range limits	2-6
2-4	Power range diagram of an engine with a PTO.	2-9
2-5	Power range limits for PTO operation — Method 1	2-10
2-6	Power range limits for PTO operation — Method 2	2-11
2-7	The prohibited operation area (CMCR speed = R1—R2)	2-12
2-8	Calculating the prohibited operation area for the CMCR speed	2-14
2-9	The prohibited operation area (CMCR speed = 85% of R1—R2)	2-15
2-10	The prohibited operation area (CMCR speed = R3—R4)	2-16
3-1	Engine dimensions	3-1
3-2	Thermal expansion, dim. X, Y, Z.	3-3
3-3	Minimum requirements for headroom	3-6
3-4	Force transmission to the engine foundation	3-7
3-5	A comparison of the standard and narrow engine foundation layout	3-7
3-6	Foundation bolting.	3-9
3-7	Welded type	3-9
3-8	Side stopper installation arrangement	3-10
3-9	Proposed designs for water-tight bolting	3-10
3-10	Typical shaft earthing arrangement	3-17

3-11	Typical shaft earthing with condition monitoring facility	3-18
3-12	Example of a shaft-locking device	3-19
4-1	LT cooling water system for twin-engine installation	4-3
4-2	Cylinder LO system for twin-engine installation	4-4
4-3	Separate HT cooling water circuit	4-5
4-4	LT cooling water circuit — Single set-point temperature	4-7
4-5	LT cooling water circuit — Dual set-point temperatures	4-7
4-6	Separate SAC and LT cooling circuits	4-8
4-7	HT cooling water circuit	4-11
4-8	Pre-heating power requirement per cylinder	4-15
4-9	Lubricating oil system	4-18
4-10	Trace heating cable arrangement	4-23
4-11	Dimensioning and filling process of lubricating oil drain tank	4-26
4-12	Arrangement of vertical lubricating oil drains for 6-cylinder engines	4-27
4-13	Fuel oil system	4-31
4-14	Mixing unit	4-34
4-15	Mesh size difference between absolute and nominal	4-37
4-16	Fuel oil filter arrangement 'A'	4-38
4-17	Fuel oil filter arrangement 'B'	4-42
4-18	Fuel oil viscosity-temperature diagram	4-46
4-19	Air supply system	4-47
4-20	Design proposal of WinGD's sludge oil trap	4-52
4-21	Design proposal of a manually bottom-drained sludge oil trap	4-53
4-22	Design proposal of an automatically bottom-drained sludge oil trap	4-55
4-23	Arrangement of automatic water drain	4-56
4-24	Determination of exhaust pipe diameter	4-57
4-25	Ventilation system arrangement 1 — Engine room ventilation system	4-60
4-26	Ventilation system arrangement 2 — Direct engine ventilation system	4-61

4-27	Air filter size (example for 8-cyl. engine)	4-63
4-28	Arrangements for PTO, PTI, PTH	4-67
4-29	FPP with mandatory frequency converter	4-70
4-30	CPP in combination with an optional frequency converter	4-71
4-31	CPP in constant speed operation without frequency converter	4-71
4-32	CPP with two fixed operation speeds without frequency converter	4-72
5-1	Engine automation architecture	5-1
5-2	Engine management and automation concept	5-2
5-3	Remote control system	5-5
5-4	Propulsion control	5-7
5-5	Manoeuvring speed/power settings for FPP/ CPP installations	5-8
5-6	Full sea load steps in FPP load-up program	5-9
5-7	Full sea load steps in CPP load-up program	5-10
5-8	The WiDE data collection and analysis process	5-13
5-9	The WiDE installation process	5-15
5-10	The ICC system	5-17
6-1	External mass forces and moments	6-2
6-2	Major components and details of the iELBA	6-4
6-3	Locating an electrically-driven compensator	6-4
6-4	Forces through the engine	6-6
6-5	Lateral vibration — X-type and H-type	6-7
6-6	Lateral stays shifting the resonance frequency above nominal speed	6-8
6-7	General arrangement of hydraulic type stays for one-side installation	6-9
6-8	General arrangement of hydraulic type stays for both-side installation	6-9
6-9	Twin-engine installations with two standard engines	6-11
6-10	Variants of twin-engine installations with a standard and a left engine	6-11
6-11	Engine stays arrangement on the exhaust side	6-12

6-12	Engine stays arrangement on the engine's fuel side	6-12
6-13	Engine stays arrangement on both engine sides	6-13
6-14	Arrangement of longitudinal stays	6-14
6-15	Vibration dampers (spring type and viscous type).	6-18
6-16	Example of axial vibration damper	6-19
6-17	Resulting vibration from SPS combinations	6-23
6-18	Synchro-Phasing system	6-24
7-1	Speed dependent maximum allowable average of NOx emissions . . .	7-1
7-2	Sulphur limits introduced by IMO according to MARPOL Annex VI . . .	7-2
7-3	High-pressure SCR	7-5
7-4	Low-pressure SCR with direct urea injection	7-6
7-5	Low-pressure SCR with indirect urea injection (temperature controlled).	7-7
7-6	Low-pressure SCR with indirect urea injection (bypass rate controlled).	7-7
7-7	Major components of the SOx wet scrubber system	7-8
7-8	Open-loop scrubber system	7-9
7-9	Closed-loop scrubber system.	7-10
7-10	Hybrid scrubber system	7-10
7-11	Sound pressure level at 1 m distance from engine.	7-13
7-12	Exhaust noise reference point	7-14
7-13	Sound pressure level at funnel top of exhaust gas system.	7-15
7-14	Structure-borne noise level at engine feet vertical.	7-16

0 Preface

WinGD provides a range of manuals and tools to help its customers at all stages of a project. From engine design to installation and maintenance, WinGD provides extensive help and support.

This manual is the initial guide to the installation process for this specific engine, providing an overview of the different topics which need to be considered in the project and the engine installation phase. In parallel to this manual are the drawing sets and software tools which provide detailed values and ranges to help finalise the installation process. Finally, each engine has its own range of operation and maintenance manuals to support the complete life cycle of the engine, following the design and installation phase.

Marine Installation Manual Introduction

The Marine Installation Manual (MIM) contains all the necessary information that must be considered in the engine design and installation phase. The MIM provides an essential overview for project and design personnel. Each chapter contains detailed information for design engineers and naval architects, enabling them to optimise plant components and machinery space, and to carry out installation design work.

The MIM is not to be considered as a specification. The build specification is subject to the laws of the legislative body of the country of registration and the rules of the classification society selected by the owners. Also, guidelines for the installation and operation from the makers' side must be observed. Furthermore, the engine requirements and any third-party maker requirements must be fulfilled. System components are not the responsibility of WinGD.

The content of this document is subject to the understanding that WinGD has prepared the data and information herein with care and to the best of knowledge. However, the data and information contained in this document is subject to revision without notice. WinGD does not assume any liability with regard to unforeseen variations in accuracy thereof or for any consequences arising therefrom.

Reference to compliance

All data are related to engines compliant with the regulations of:

- Revised MARPOL Annex VI
- NO_x Technical code 2008

Reference information

Specific values and design recommendations are included in the Marine Installation Drawing Set (MIDS), while the engine performance data is provided by the General Technical Data (GTD). This chapter explains both tools.

*Explanation of symbols in this Marine Installation Manual***Cross references**

Cross references are written in blue. They lead to another section, table or figure in this manual and can be activated by a mouse click. They comprise the number of the respective figure or table, or the section title, followed by the page symbol introducing the page number.

Example: [Table 4-5](#), [4-29](#)

Notes

They either provide additional information which is considered important or they draw the reader's attention to special facts.

Example:

NOTE

The illustration does not necessarily represent the actual configuration or the stage of development of the engine concerned.

Weblinks

Weblinks are written in blue italics. They are preceded by the following symbols and refer to:



- Drawings of the Marine Installation Drawing Set (MIDS), which are provided on the WinGD webpage.

Example: *MIDS*



- Documents like shipyard installation instructions and system concept guidance, which are provided on the WinGD webpage.

Example: *Fuel oil treatment*



- General Technical Data (GTD). This is an application provided on the WinGD webpage.

Link: *GTD*

Marine Installation Drawing Set

The Marine Installation Drawing Set (MIDS) is part of the documentation provided for licensees, shipyards and operators. The MIDS is to be referred to in conjunction with the MIM during engine installation and operation.

The MIDS documentation includes drawings and guidelines that provide:

- Engine-ship interface specifications
- General installation / system proposals

Engine design groups

The MIDS covers Design Groups (DG) **97xx**:

9707	Engine Alignment Record Sheets
9709	Engine Alignment
9710	Engine Seating / Foundation
9710-01	Tool Engine Alignment
9715	Engine Stays
9721	Cooling Water Systems
9722	Lubricating Oil Systems
9723	Fuel Oil System
9724	Leakage Collection / Washing System
9725	Air Supply System
9726	Exhaust System
9730	Various Installation Items ¹⁾

Links to complete drawing packages

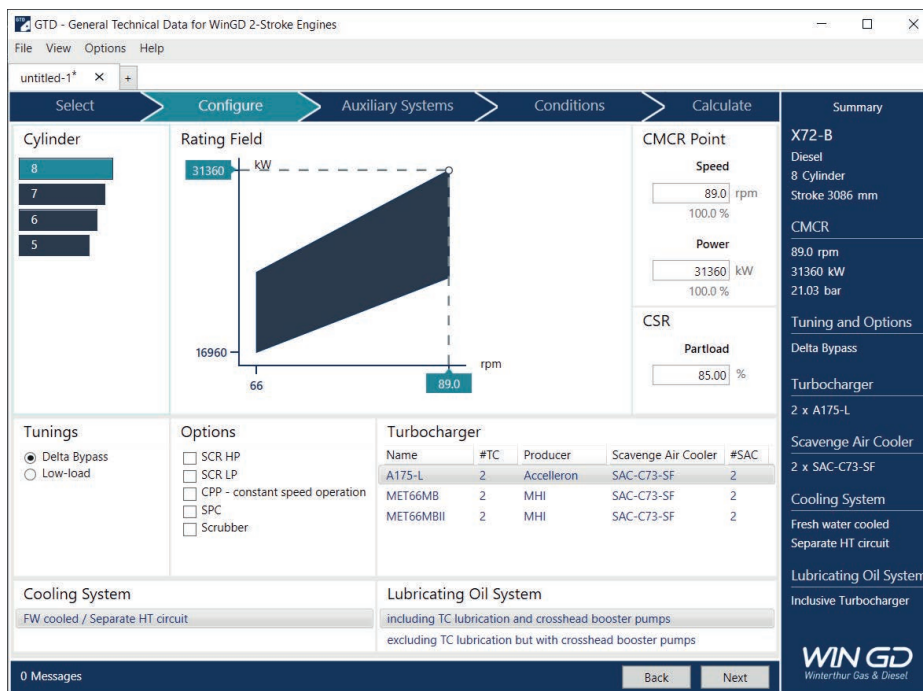
The latest versions of the drawing packages which are relevant for the present MIM are provided on the WinGD webpage under the following links:

- Marine installation drawings:
[*MIDS - complete package*](#)
- Shipyard installation instructions and system concept guidance:
[*Concept guidance and instructions - complete package*](#)

1) A key for MIDS *Piping Symbols* is included in the design group 'Various Installation Items' (DG 9730) for reference.

General Technical Data (GTD)

The General Technical Date (GTD) is an application that is used to calculate the engine performance data such as temperatures, flow rates, and consumption figures based on the selected engine rating and tuning options. The output generated by the GTD is used to design the marine propulsion plant and can be used for all engines within the WinGD portfolio.



SM-0302

Figure 0-1 GTD screenshot

GTD output

In addition to the output of characteristic parameters in the whole rating field of an engine, the GTD application also delivers data on the capacities of coolers, pumps, starting air bottles and air compressors. It provides additional information on engine radiation, the power requirement for ancillary systems, and output data suitable for estimating the size of ancillary equipment. Furthermore, the GTD can generate data such as the available components and options for specification and engine rating. In addition to the standard output for ISO reference and design conditions, further operating conditions for which information is required can be defined.



The GTD application is accessible on the WinGD Customer Portal or on the WinGD webpage using the following link:

<https://www.wingd.com/en/media/general-technical-data>

Operation and maintenance manuals

After the successful completion of the engine design and installation phase, additional documents are available to support the complete lifecycle of each engine. This additional documentation is available on the WinGD Customer Portal and this includes the following documents:

- The Operation Manual (OM)
- The Maintenance Manual (MM)
- The Spare Parts Catalogue (SPC)

1 Engine Summary

The WinGD X72-B is a camshaftless, low-speed, reversible and rigidly direct-coupled two-stroke engine featuring a common-rail injection system.

Table 1-1 X72-B summary values for Maximum Continuous Rating (MCR)

Bore:	720 mm
Stroke:	3,086 mm
Number of cylinders:	5 to 8
Power (MCR):	3,920 kW/cyl
Speed (MCR):	89 rpm
Mean effective pressure:	21.0 bar
Stroke/bore ratio:	4.29

Engine dimensions and masses

The details about sizing, specific dimensions and masses are provided in section [3.1 Engine dimensions and masses](#), [3-1](#).

This chapter introduces the engine. It focuses on all aspects of the engine that may be different from other engines. This chapter also highlights the suitability of the engine.

1.1 Engine capability and features

This engine type is designed to run on liquid fuel. The liquid fuel comprises a wide range of marine fuels such as Marine Gas Oil (MGO) and Heavy Fuel Oil (HFO) of varying qualities.

Certified Tier II & III

The engine runs Tier III compliant when the Selective Catalytic Reduction (SCR) is activated and Tier II compliant when it is inactive (see section [1.3.4](#), [1-11](#) for different SCR options).

The engine operates with a residual marine fuel (HFO) or with marine distillate fuel (MDO or MGO) which must be in accordance with the ISO 8217:2017 specification. The HFO can have a maximum viscosity of 700cSt. The MDO comprises either DMB or DFB, while the MGO comprises either DMA, DFA, DMZ or DFZ, according to the category definitions in the ISO 8217:2017 specification.

Control System

The WinGD Engine Control System (ECS) manages the key engine functions such as exhaust valve drives, engine starting and cylinder lubrication. The engine control system also ensures control of the fuel injection.

Special engine features

WinGD is constantly advancing its engine portfolio and developing new technology (see [Table 1-2](#)).

Table 1-2 Principal engine features and technologies

Engine features and technologies	MIM chapter or section
The engine can have different tunings. Depending on the operating profile of the engine, the optimal tuning can be selected. For example, the Delta Bypass Tuning contains the steam production control feature.	1.3
A common-rail injection system and a common-rail exhaust valve actuation system are applied. This unique technology allows optimised combustion, resulting in optimised consumption. The technology also enables selection of different engine tunings, according to the ship operating profile (see section 1.3 , 1-5).	1.4
Efficiently cooled piston crown. This is made possible by jet-shaker cooling.	4.3.2
A high-efficiency cylinder lubrication with optimised cylinder lubricating oil consumption is available. This is made possible by the Pulse Lubricating System (PLS).	4.3.5
The whole engine can be controlled and operated electronically. This is made possible by the Flex system (see section 1.4 , 1-13).	5
Standard data collection and monitoring system. This is known as the WinGD Integrated Digital Expert (WiDE).	5.7
An engine integrated second order longitudinal vibration compensator is available. This is known as the Integrated Electrical Balancer (iELBA).	6.1.2
If contracted and if there is a twin-engine installation, then the Synchro-Phasing System (SPS) is available.	6.8.2
Emissions compliance can be achieved by applying emissions abatement technologies such as Selective Catalytic Reduction (SCR) for NO _x emissions control and the scrubber for SO _x emissions control.	7.1.5 7.1.6

1.2 Primary engine data

The engine rating field for this specific engine is displayed in [Figure 1-1](#) together with all the WinGD diesel engines. For detailed engine data see [Table 1-3](#), [1-4](#).

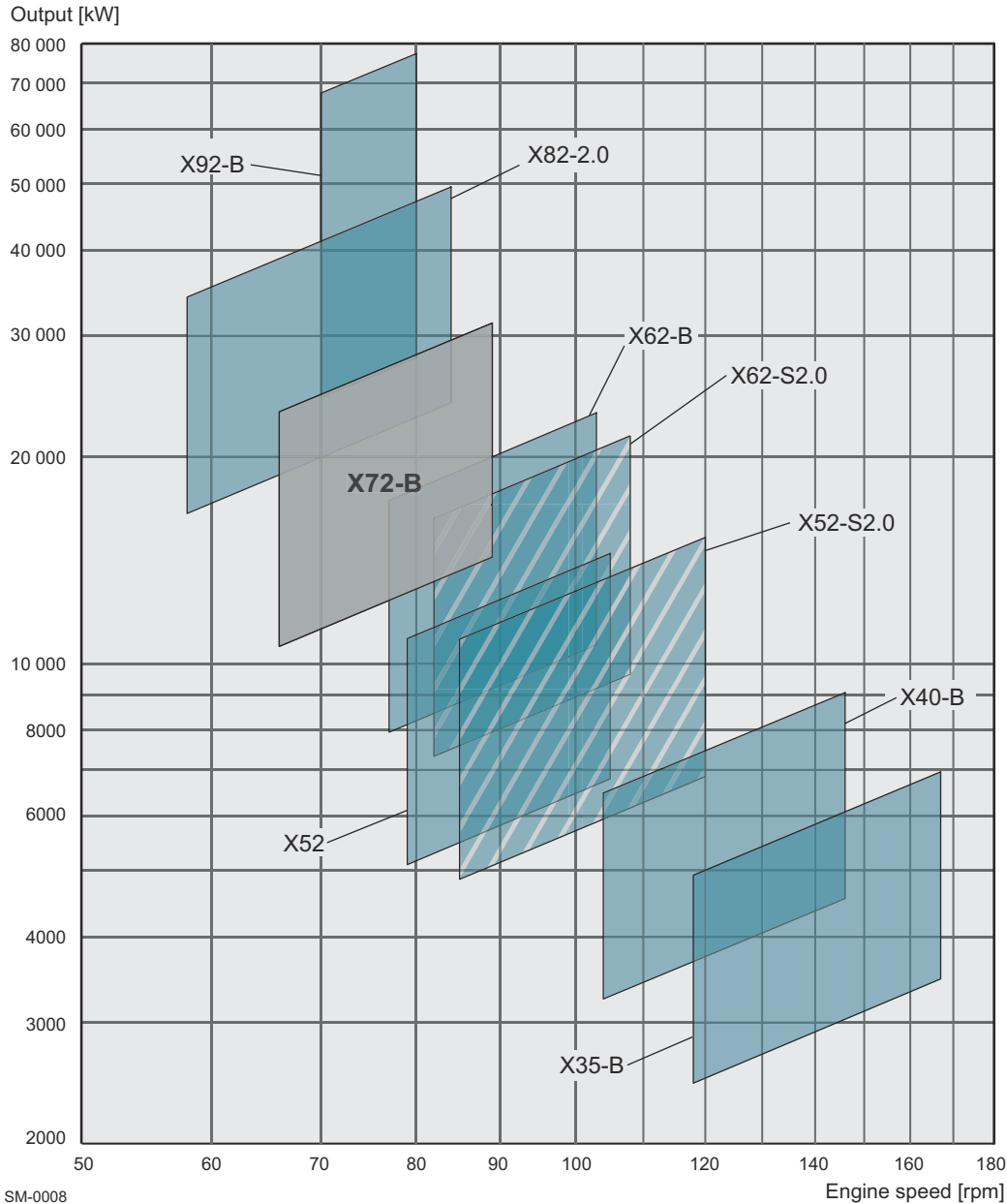


Figure 1-1 Power/speed range of WinGD diesel engines

1.2.1 Engine rating field - rating points

The specific values for the four corners of the rating field are called rating points (see [Table 1-3](#)). The values provided in the below table are not binding and may be updated without notice. For prevailing data refer to the [GTD](#).

Table 1-3 Rating points

Bore x stroke: 720 x 3,086 [mm]				
No. of cylinders	R1	R2	R3	R4
	Power [kW]			
5	19,600	14,300	14,550	10,600
6	23,520	17,160	17,460	12,720
7	27,440	20,020	20,370	14,840
8	31,360	22,880	23,280	16,960
Speed [rpm]				
All	89	89	66	66
Mean Effective Pressure (MEP) [bar]				
All	21.0	15.3	21.0	15.3
Lubricating oil consumption (for fully run-in engines under normal operating conditions)				
System oil	Approximately 8 kg/cyl per day			
Cylinder oil	Guide feed rate 0.6g/kWh			

1.3 Engine tuning

The Flex system (see section 1.4, [▮ 1-13](#)) enables different combinations of the basic tunings and the tuning options. It enables selection of injection and exhaust valve control parameters such as Variable Injection Timing (VIT) and Variable Exhaust valve Closing (VEC). This provides the possibility to optimise the BSFC and the steam production capability at individual engine power ranges. In addition, the requirements of different emissions abatement technologies can be fulfilled.

Compliance with IMO Tier II and III

All tuning options comply with the International Maritime Organization (IMO) Tier II regulations for NO_x emissions. For Tier III emission compliance, an exhaust gas treatment is required (see section 7.1.5, [▮ 7-4](#) for the detailed description).

Trade-off between BSFC and NO_x

The parameters controlling the fuel injection and exhaust valve timing are modified with the engine tuning process. This ensures full tuning potential by suitably balancing the design-related limitations, BSFC and NO_x.

There is a trade-off between BSFC and NO_x emissions, where low BSFC results in high NO_x emissions and vice versa. To ensure that IMO regulations are met, any associated increase in NO_x emissions at specific power ranges must be compensated with a reduction in other power ranges.

Shaft power meter option

For WinGD diesel engines, the ECS does not require the installation of a power meter in the shaft line. However, an optional shaft power meter can be installed to monitor the engine performance. If installed, the position of the shaft power meter is usually as close as possible to the main engine's flywheel. In the case of a PTO/PTI/PTH installation on the driving end side, this means that the shaft power meter is usually installed between the PTO/PTI/PTH and the main engine's flywheel (see [Figure 4-28](#), [▮ 4-67](#)). Alternatively, the total engine power can be calculated by adding the mechanical power of the PTO/PTI to the measured shaft power.

In the case of a PTO installation on the free end side, the mechanical power of the PTO must be calculated and added to the measured mechanical engine power to determine the total mechanical power output of the engine.

Basic engine tunings An overview of the available basic tunings with their application and the required engine components is provided (see [Table 1-4](#)). These tunings must be specified at a very early stage of the project.

Table 1-4 Available basic tunings

Tuning	Description	Application	Additional components
Delta Bypass Tuning	Part load tuning with increased steam power production	For increased steam production between 50 and 100 % engine power. Consequently, this enables reducing the economiser size and minimising the use of the auxiliary boiler	Exhaust gas waste gate
Low-load Tuning	Lowest possible BSFC in the operating range of 40-70% engine power	When the ship operates most of the time at less than 75% engine power	Exhaust gas waste gate



The GTD provides different combinations of these basic tunings and the tuning options. Data for these basic tunings as well as de-rating and part load performance data are available in the [GTD](#).

NOTE The tunings must be predefined along with any engine order.

LowTV tuning Low Torsional Vibration (LowTV) tuning comes as standard (see section [6.4 Torsional vibration](#), [6-16](#)).

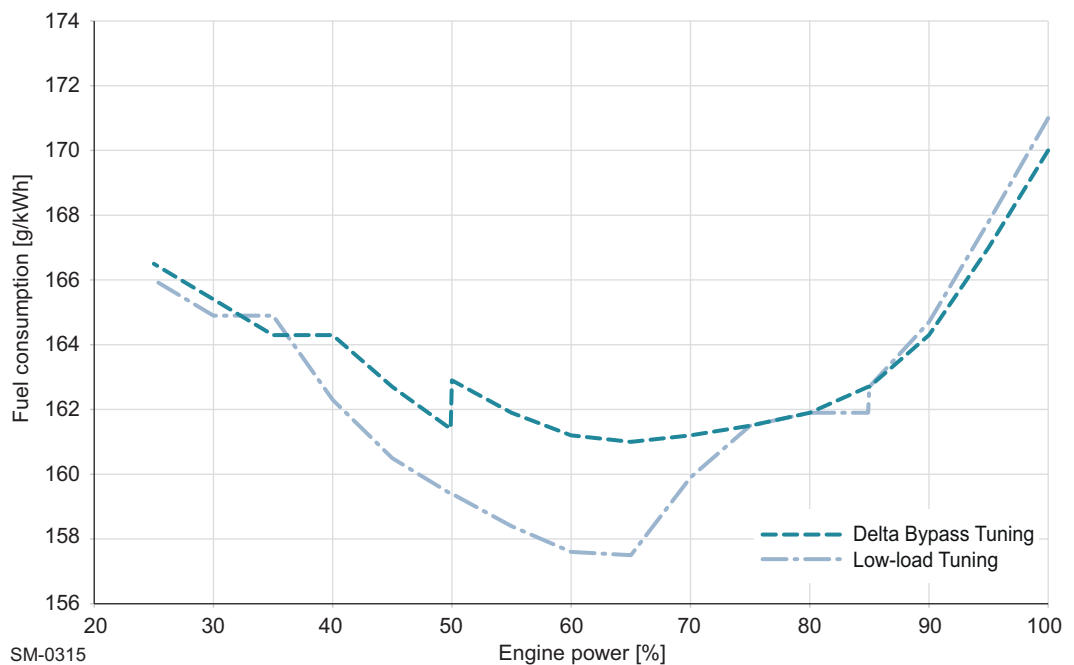


Figure 1-2 Typical BSFC curves in relation to engine power

[Figure 1-2](#) shows the BSFC curves for the available basic tunings.



BSFC data for Delta Bypass Tuning and Low-load Tuning are provided by the [GTD](#).

NOTE

The reliability of the engine is by no means impaired by applying a tuning. All mechanical stresses and thermal loads are well within limits irrespective of engine tuning.

1.3.1 Delta Bypass Tuning

Delta Bypass Tuning is an engine tuning designed to increase the exhaust gas temperature and Steam Production Power (SPP), therefore enabling a reduction in the auxiliary boiler's use. This increase occurs at more than 50% engine power, while still complying with all existing emission legislations.

Figure 1-3 shows the steam production power curves for the available basic tunings.

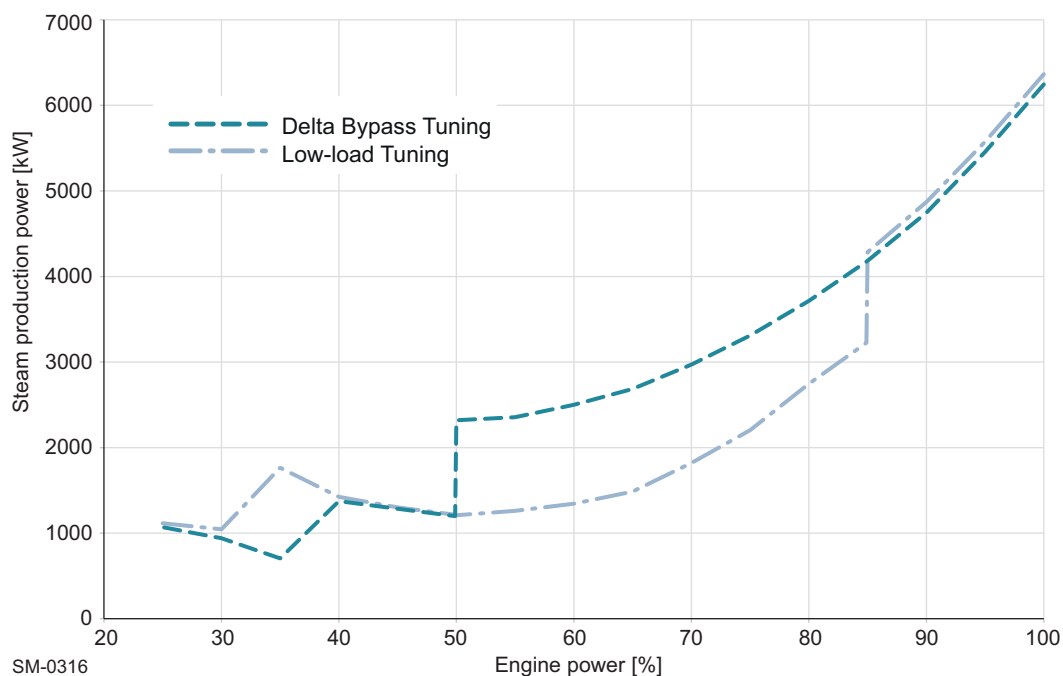


Figure 1-3 Steam production power diagram

Besides the appropriately adjusted engine parameters related to fuel injection and exhaust valve control, the Delta Bypass Tuning concept combines a specifically designed turbocharger system setup with the use of an exhaust gas waste gate (with a switch point at 50% engine power).

Exhaust gas waste gate

Delta Bypass Tuning requires the fitting of an exhaust gas waste gate on the exhaust gas receiver before the turbocharger turbine (see [Figure 1-4](#)). The exhaust gas passing through this valve bypasses the turbocharger, flowing to the main exhaust uptake.

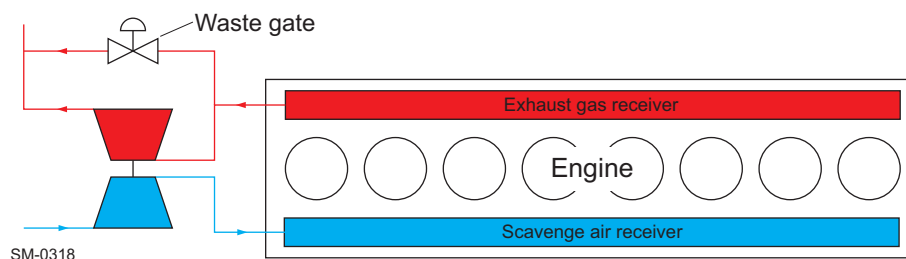


Figure 1-4 Functional principle of an exhaust gas waste gate

Working range

The exhaust gas waste gate works as follows:

- Below 50% engine power → Waste gate is closed
All exhaust gas flows into the turbocharger. This increases combustion pressure due to increased scavenge air pressure.
- Above 50% engine power → Waste gate is open
A small percentage of the exhaust gas bypasses the turbocharger. This reduces the mass flow rate of the turbocharger and the pressure of the scavenge air. Consequently, the exhaust temperature rises, enabling an increase in the steam production by means of an economiser.

Steam production

Increasing the exhaust gas temperature to produce more steam through the economiser is an efficient way of powering on-board steam services and using waste heat from the main engine exhaust gas.

In such cases, Delta Bypass Tuning is the most economical tuning (see [Figure 1-3](#), [1-7](#)). Within certain engine power ranges, it may be possible to run without any auxiliary boiler.



For the calculation of steam production through the economiser, the tEbE and the relevant mass flow must be considered in the output of the *GTD*.

1.3.2 Low-load Tuning

Low-load Tuning is used to reduce the BSFC in the lower part load power range by optimising the engine and turbocharger to match this low engine power operation. However, this is offset with a reduction in efficiency towards full engine power.

Similar to Delta Bypass Tuning, Low-load Tuning must consider engine parameters related to fuel injection and exhaust valve control, combining a specifically designed turbocharger system setup with the use of an exhaust gas waste gate (with a switch point at 85% engine power). For further information, see the subsection [Exhaust gas waste gate](#), ¶ 1-8.

Working range

The exhaust gas waste gate works as follows:

- Below 85% engine power → Waste gate is closed
All exhaust gas flows into the turbocharger. This increases combustion pressure due to increased scavenge air pressure. Consequently, the BSFC is reduced at low engine power output.
- Above 85% engine power → Waste gate is open
As the turbocharger is optimised for lower part load operation, there is a surplus of available exhaust gas energy at higher engine power outputs. This must be released through the open waste gate to protect against turbocharger overspeed.

The higher scavenge air pressure in the lower part load power range results in lower thermal load and better combustion in this operating range.

1.3.3 Dual tuning

The WinGD two-stroke engines can be built and certified with 'dual tuning' (i.e. Delta Bypass Tuning and Low-load Tuning). However, an engine cannot be operated with both tuning regimes at the same time. Each available basic tuning has its own advantages in terms of specific fuel consumption or exhaust gas flow and temperatures.

Changeover between tuning regimes

Changing over from one tuning to the other when the engine is in service is a long-term consideration, since the following modifications must be carried out on the engine:

- Exchange of the turbocharger nozzle ring (and diffuser)
- Change of the ECS software parameters
- Installation/removal of the blind flange for the exhaust gas bypass
- Change of the orifice size in the exhaust gas bypass

An engine cannot be operated with both tuning regimes at the same time, as switching from one tuning to the other when the engine is in operation is not in accordance with the IMO MARPOL Annex VI NO_x regulation. Since for NO_x certification, the Technical Files and EIAPP certificates must be approved separately for each tuning, the NO_x emissions must be measured on the testbed for both tuning regimes.

Considerations to be made when choosing dual tuning

The following must be considered before ordering an engine with dual tuning:

- The GTD ancillary system data must be selected for the tuning with higher requirements concerning pump and cooler capacity.
- The Torsional Vibration Calculation (TVC) must be carried out for both tunings. However, only the calculation for the tuning showing worse torsional stresses in the shafting must be submitted for class approval.
- The engine interface drawings must correspond to the tuning with the exhaust gas bypass (Low-load Tuning or Delta Bypass Tuning).
- The sea trial program (engine-related tests) must be discussed with the shipyard. It should be defined beforehand with which tuning the speed trial of the vessel is to be performed.

1.3.4 Options

Different options can be selected together with the basic tuning. Depending on the selected basic tuning, only specific options and combinations of options may be available.

High-pressure selective catalytic reduction

For installations with the High-Pressure Selective Catalytic Reduction (HP SCR) tuning option, see section 7.1.5, [7-4](#).

Low-pressure selective catalytic reduction

For installations with the Low-Pressure Selective Catalytic Reduction (LP SCR) tuning option, see section 7.1.6, [7-8](#).

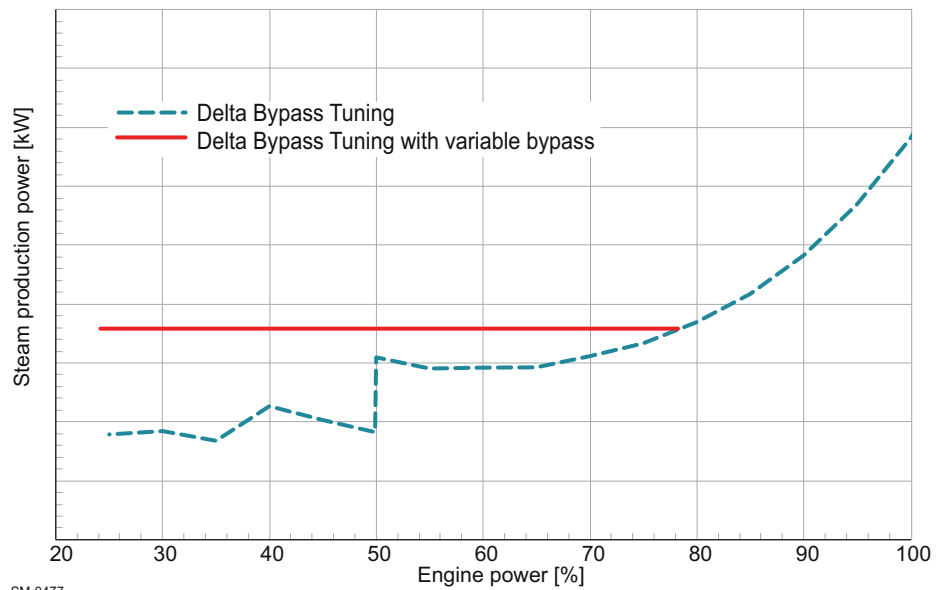
Steam production control

The Steam Production Control (SPC) system consists of an analogue controlled valve that enables the opening and closing of the exhaust gas waste gate (see the subsection [Exhaust gas waste gate](#), [1-8](#)), regulating the bypass of the turbocharger from the main engine. By increasing the bypass rate, the mass flow rate of the turbocharger is reduced. This in turn increases the exhaust gas heat, which is used to produce steam as required.

The SPC option can be applied to Delta Bypass Tuning and Low-load Tuning, as the tuning options are already equipped with an exhaust waste gate (see the subsection [Exhaust gas waste gate](#), [1-8](#)). Without the SPC, this waste gate valve is either open or closed according to a set engine power percentage. The SPC constantly reacts, restricting the bypass flow to an optimum level. This is achieved by adjusting the valve according to real time steam pressure values, enabling the SPC system to maintain a set steam requirement.

Connection to external systems

The SPC is connected to and receives inputs from external systems, such as the exhaust gas economiser and auxiliary boiler control systems. The additional systems work together with the engine to manage the valve. The system's automation and optimisation ensures steam requirement without over production, as defined by the user. This is true regardless of the engine power (see [Figure 1-5](#), [1-12](#)), where a minimum steam production requirement is set and maintained across the engine power range. With the availability of increased steam, the SPC is more efficient than switching on an auxiliary boiler, with overall fuel and cost savings.



SM-0477

Figure 1-5 Steam production of Delta Bypass Tuning with variable bypass

As well as a fully integrated steam production control system, user operated waste gate control is also available. Such an arrangement remains restricted within defined engine limitations, however it does not ensure optimised efficiency.



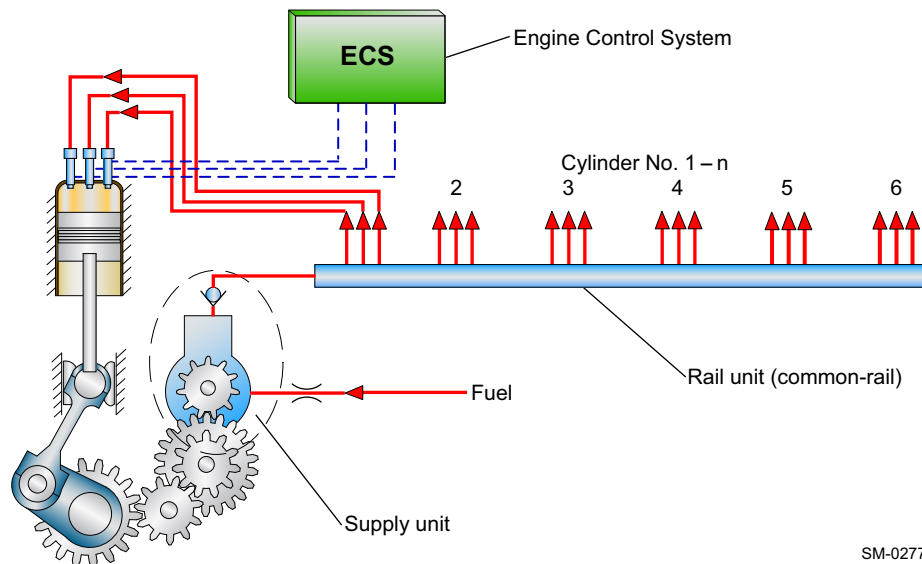
Performance data referring to the use of the SPC in conjunction with WinGD engines is available in the [GTD](#).

Scrubber

For scrubber installation, see section [7.1.6](#), [7-8](#).

1.4 The Flex system

The engine is equipped with WinGD's common-rail injection system which enables flexible fuel injection.



SM-0277

Figure 1-6 Flex system parts

Major benefits

- Adapted for different operating modes
- Adapted for different fuels
- Optimised part load operation
- Optimised fuel consumption
- Precise speed regulation, especially at very low speed operation
- Smokeless operation across the entire engine power range
- Benefits in terms of operating costs, maintenance requirements and compliance with emissions regulations

2 Engine Power and Speed

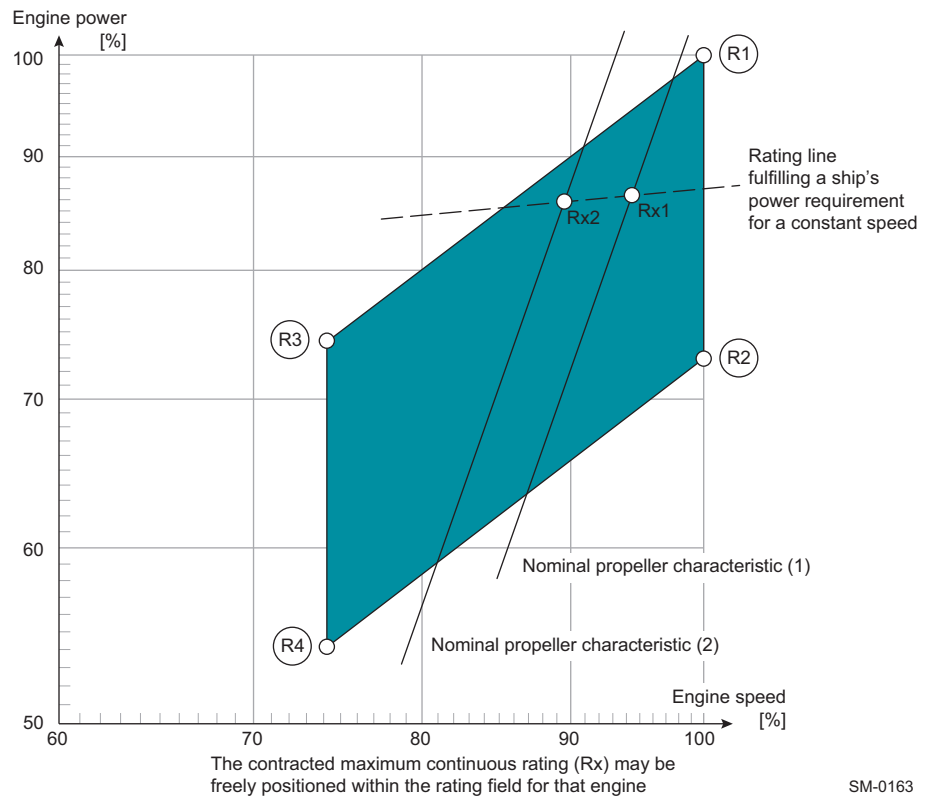
Selecting a suitable main engine to meet the power demands of a given project involves proper tuning with respect to load range and influence of operating conditions which are likely to prevail throughout the entire life of the ship. This chapter explains the main principles in selecting a WinGD 2-stroke marine diesel engine.

2.1 Introduction to power and speed

It is critical that a ship's propulsion system correctly matches the main engine characteristics to ensure reliable operation under a variety of conditions including design and off-design conditions. The sections below outline the specifics to aid in this process.

2.2 Engine rating field

The rating field shown in [Figure 2-1](#) is the area of selectable engine design power and engine design speed. In this area, the Contracted Maximum Continuous Rating (CMCR) of an engine can be positioned individually to give the desired combination of propulsive power and rotational speed. Engines within this layout field are tuned for maximum firing pressure and best efficiency at the selected rating.



SM-0163

Figure 2-1 Rating field for the X72-B

The rating field serves to determine the specific fuel consumption, exhaust gas flow and temperature, fuel injection parameters, turbocharger and scavenge air cooler specifications at the selected rating.

Percentage values

The engine speed is given on the horizontal axis and the engine power on the vertical axis of the rating field. Both are expressed as a percentage [%] of the respective engine’s nominal R1 parameters. Percentage values are used so that the same diagram can be applied to various engine arrangements.

Rating points

The rating points (R1, R2, R3, R4) for WinGD engines are the corner points of the engine rating field (see Figure 2-1, 2-1). The rating field is limited by two constant Mean Effective Pressure (MEP) lines R1—R3 and R2—R4 and by two constant engine speed lines R1—R2 and R3—R4.

The point R1 represents the nominal Maximum Continuous Rating (MCR). It is the maximum power/speed combination which is available for a particular engine.

Any rating point (Rx) can be selected within the entire rating field to meet the requirements of each specific project. Such rating points require specific engine adaptations.

2.3 Influence of propeller diameter and revolutions

Influence of propeller revolutions on the power requirement

At constant ship speed and for a given propeller type, a lower propeller speed combined with a larger propeller diameter increases the total propulsive efficiency. Less power is required to propel the vessel at a given speed.

The relative change of required power as a function of the propeller revolutions can be approximated by the following relation:

$$\frac{PX_2}{PX_1} = \left(\frac{n_2}{n_1}\right)^\alpha$$

Formula 2-1

where:

- PX_j = propulsive power for propeller revolution n_j
- n_j = propeller speed corresponding with propulsive power PX_j
- α = 0.15 for tankers and general cargo ships up to 10,000dwt, or
 = 0.20 for tankers and bulk carriers from 10,000 to 30,000dwt, or
 = 0.25 for tankers and bulk carriers larger than 30,000dwt, or
 = 0.17 for reefers and container ships up to 3,000 TEU, or
 = 0.22 for container ships larger than 3,000 TEU

This relation is used in the engine selection process to compare different engine alternatives and to select an optimum propeller speed within the selected engine rating field. Usually, the number of revolutions depends on the maximum permissible propeller diameter.

Maximum propeller diameter

The maximum propeller diameter is often determined by operational requirements, such as:

- Design draught and ballast draught limitations
- Class recommendations concerning propeller/hull clearance (pressure impulse induced on the hull by the propeller)

The selection of a main engine in combination with the optimum propeller (efficiency) is an iterative process where also commercial considerations (engine and propeller prices) play an important role.

According to the above approximation, when a required power/speed combination is known (for example, point Rx1 in Figure 2-1, 2-1), a contracted maximum continuous rating line can be drawn which fulfils the ship's power requirement for a constant speed. The slope of this line depends on the ship's characteristics (see coefficient α in Formula 2-1, 2-2). Any other point on this line represents a new power/speed combination, for example Rx2, and requires a specific propeller adaptation.

2.4 Power range

Propeller curves and operational points

To establish the proper propeller curves, it is necessary to know the ship's speed to power response.

Determining power/propeller speed relationships

Normally, the curves can be determined by using full-scale trial results from similar ships, algorithms developed by maritime research institutes, or model tank results. With this information and by applying the propeller series, the power/speed relationships can be established and characteristics developed.

The relation between absorbed power and propeller speed for a Fixed Pitch Propeller (FPP) can be approximated by the following cubic relation:

$$\frac{P}{P_{CMCR}} = \left(\frac{n}{n_{CMCR}} \right)^3$$

Formula 2-2

where:

- P = propeller power
 n = propeller speed

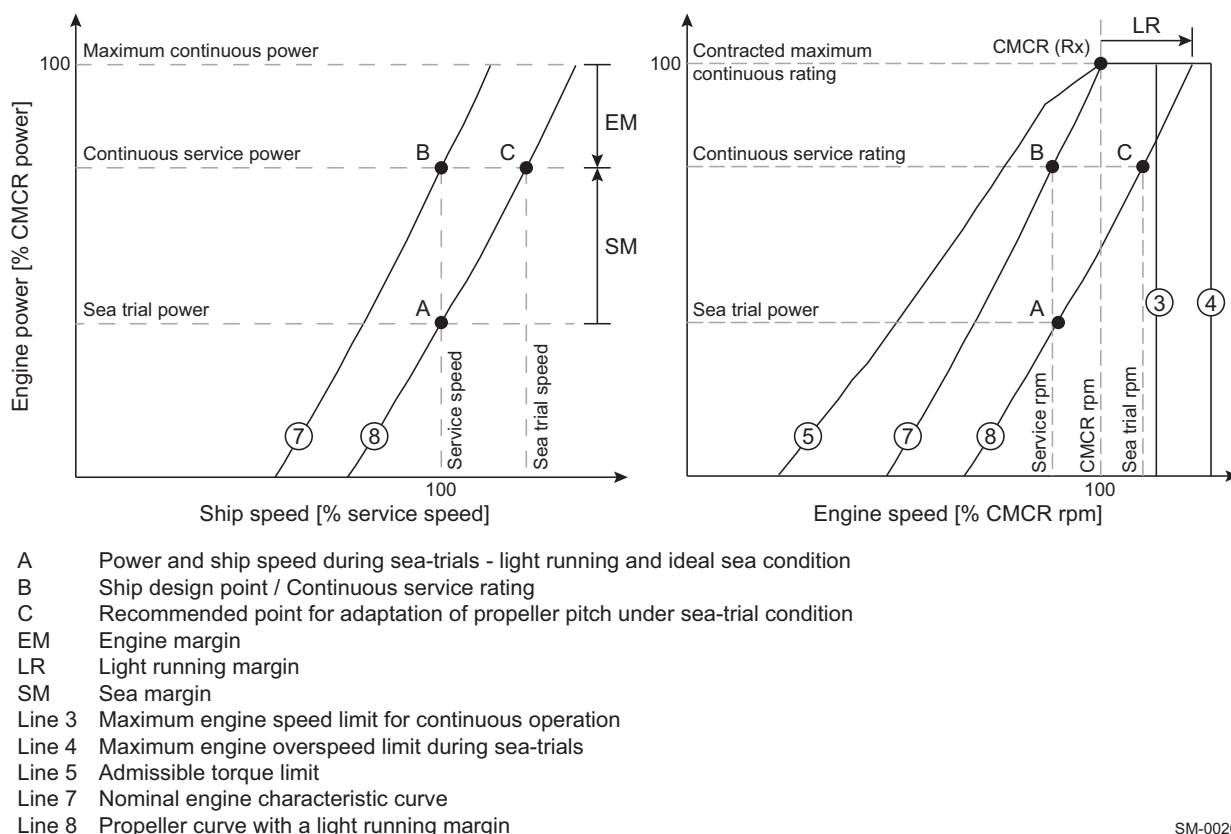


Figure 2-2 Propeller curves and operational points

Figure 2-2 outlines the various engine limits, propeller curves and margins required for engine optimisation. By incorporating the margins listed below, the various operational points and subsequently the CMCR point can be determined (see section 2.5, 2-6 for detailed descriptions of the various line limits).

Sea trial power

The sea trial power must be specified. Figure 2-2 shows the sea trial power to be the power required for reaching service speed (point A) on the propeller curve with a light running margin (Line 8).

Sea margin

The Sea Margin (SM) is defined as the increase in power to maintain a given ship’s speed achieved in calm weather (point A in Figure 2-2) under average service condition (point B). This margin can vary depending on the owner’s and charterer’s expectations, routes, season and schedules of the ship.

The location of reference point A and the magnitude of the sea margin are part of the new building contract and are determined between the shipbuilder and the owner. Typically, the sea margin is specified in the range of 10 to 25% of the sea trial power.

Light running margin

The Light Running (LR) margin (see [Figure 2-2](#), [Figure 2-4](#)) is added to compensate for the expected change in speed to relative power, caused by the fouling and the deterioration of the vessel over time. For a given engine power output, the light running propeller (Line 8) operates at a certain percentage of higher propeller speed compared to the nominal engine characteristic (Line 7). The light running margin is agreed upon between the shipyard and the ship owner. The margin depends on the hull and the propeller cleaning interval, as well as the operation route which will affect the rate of deterioration (e.g. speed, location, shallow water, etc.)

Typically, the light running margin is specified in the range of 4 to 7%. However, additional power/engine speed allowance must be provided for the Power Take-Off (PTO) installations (see [section 2.6](#), [Figure 2-9](#)).

NOTE

The shipbuilder has the responsibility to determine a light running margin. This light running margin must be sufficiently small so that the power range limits on the right side of the nominal propeller characteristic (Line 7) are reached under any service condition (see [Figure 2-3](#), [Figure 2-6](#)).

Continuous service rating

The Continuous Service Rating (CSR) is also known as the Nominal Operation Rating (NOR) or the Nominal Continuous Rating (NCR). Point A represents the power and propeller speed of a ship operating at contractual service speed in calm seas with a new clean hull and propeller. On the other hand, the same ship at the same speed, under service conditions with aged hull and under average weather conditions, requires a power/speed combination according to point B. In that case, point B is the CSR point.

Engine margin

The Engine Margin (EM) is the relative power (in percentage) which remains at CSR. Most owners specify the contractual ship's loaded service speed at 85 to 90% power of the contracted maximum continuous rating. Different selections are possible. This remaining power, the EM (e.g. 10 to 15%), can then be used to catch up with delays in schedule.

This margin is deducted from the CMCR. Therefore, the 100% power line is found by dividing the power at point B by the selected percentage (e.g. 85 to 90%) of CSR power. The graphic approach to find the level of CMCR is illustrated in [Figure 2-2](#), [Figure 2-4](#).

Contracted maximum continuous rating

The Contracted Maximum Continuous Rating (CMCR) is also known as the Rx or the Specified Maximum Continuous Rating (SMCR). The CMCR is the point obtained by applying the margins (SM and EM) to the propeller curves. The calculated CMCR point can be selected freely within the entire engine rating field.

2.5 Power range limits

Once an engine is optimised at CMCR (Rx), the working range of the engine is limited by the following border lines (see Figure 2-3).

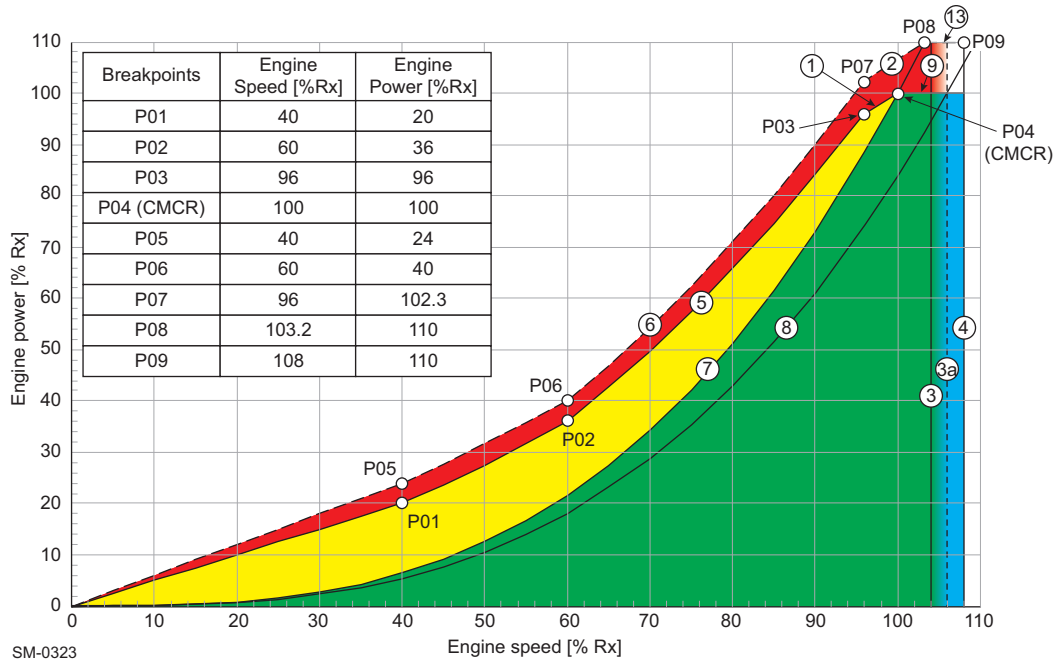


Figure 2-3 Power range limits

**Line 1
100% Torque Limit**

Constant MEP or torque line through CMCR from 100% (speed and power) down to 96% (speed and power).

**Line 2
Overload Limit**

Available for testbed operation and emergency operation according to SOLAS Regulation II-1/3.6. It is a constant MEP line, connecting point P07 (102.3% power and 96% speed) to point P08 (110% power and 103.2% speed). Point P08 is the point of intersection between Line 7 and 110% power.

**Line 3
Speed Limit**

Maximum speed limit for continuous engine running is set to 104% of CMCR speed. However, this limit can be extended to 106% (Line 3a) if Rx speed is reduced ($n_{CMCR} \leq 0.98n_{MCR}$), provided that the specified torsional vibration limits are not exceeded.

**Line 4
Overspeed Limit**

The overspeed range, from Line 3 at 104% (or Line 3a at 106%, if applicable) can extend to an upper speed limit of 108%. If needed for demonstration of 100% CMCR power operation during sea trials, operating in this overspeed range is only permissible in the presence of an authorised engine builder representative. However, the specified torsional vibration limits must not be exceeded.

**Line 5
Engine Operation
Power Limit**

Admissible power limit for engine operation. The line is separated by the breakpoints listed in Figure 2-3.

Line 6
Transient Operation
Power Limit

Maximum power limit for transient operation. The line is separated by the break-points listed in [Figure 2-3](#), [Figure 2-6](#).

Line 7
Nominal Engine
Characteristic

Nominal engine characteristic curve that passes through the CMCR point is defined by the propeller law:

$$\frac{P}{P_{CMCR}} = \left(\frac{n}{n_{CMCR}} \right)^3$$

Formula 2-3

Line 8
Light Running
Propeller Curve

Propeller curve with a light running margin (typically between 4% and 7%). The curve is defined by the propeller law with a constant, governed by the selected light running margin ([Formula 2-4](#)).

$$\frac{P_{LR}}{P_{CMCR}} = C \cdot \left(\frac{n}{n_{CMCR}} \right)^3 \quad C = \left(\frac{1}{1 + LR} \right)^3$$

Formula 2-4

where:

P_{LR} = propeller power at selected light running margin [kW]

P_{CMCR} = CMCR engine power [kW]

n = selected engine speed [rpm]

n_{CMCR} = CMCR engine speed [rpm]

C = constant

LR = light running margin [%]

Line 9
CMCR Power

Maximum power for continuous operation.

Line 13
110% CMCR Power

Constant power overload limit, available for testbed operation and emergency operation according to SOLAS Regulation II-1/3.6.

Engine Operation
Power Range

Line 5, Line 1 and Line 9 form the curve for the engine's operation power range limit, as defined by [Formula 2-5](#), [Figure 2-8](#). Each component is governed by different coefficients (see [Table 2-1](#)).

Table 2-1 Line 5 coefficients

Line no.	Range (n/n_{CMCR})	C2	C1	C0
Line 5	0.00 - 0.40	0.000	0.500	0.000
	0.40 - 0.60	0.500	0.300	0.000
	0.60 - 0.96	1.111	-0.067	0.000
Line 1	0.96 - 1.00	0.000	1.000	0.000
Line 9	1.00 - 1.08	0.000	0.000	1.000

$$\frac{P}{P_{CMCR}} = C2 \left(\frac{n}{n_{CMCR}} \right)^2 + C1 \left(\frac{n}{n_{CMCR}} \right) + C0$$

Formula 2-5

where:

P = selected engine power [kW]

*P*_{CMCR} = CMCR engine power [kW]

n = selected engine speed [rpm]

*n*_{CMCR} = CMCR engine speed [rpm]

C2/C1/C0 .. = coefficients / constants

The area formed by Lines 1, 3, 5 and 9 is the range within which the engine should be operated.

The area limited by Line 7, Line 9 and Line 3 is recommended for continuous operation.

The area between Line 7 and Line 5 is reserved for acceleration, shallow water and normal operational flexibility. If a PTO is installed, then the operating characteristics of the engine will differ (see section 2.6, ¶ 2-9 for further details regarding PTO characteristics).

Overload Power Range

Line 6, Line 2 and Line 13 form the curve for the engine’s overload power limit, as defined by Formula 2-5. Each component is governed by different coefficients (see Table 2-2).

Table 2-2 Line 6 coefficients

Line no.	Range (<i>n/n</i> _{CMCR})	C2	C1	C0
Line 6	0.00 - 0.40	0.000	0.600	0.000
	0.40 - 0.60	0.330	0.468	0.000
	0.60 - 0.96	1.110	0.000	0.000
Line 2	0.96 - 1.032	0.000	1.066	0.000
Line 13	1.032 - 1.08	0.000	0.000	1.100

The area above Lines 1 and 9 is the overload range. It is only permissible to operate engines in this range for a maximum duration of one hour during sea trials and in the presence of an authorised engine builder representative.

The area between Lines 1, 5 and 6 (Figure 2-3, ¶ 2-6), called ‘service range with operational time limit’, is only applicable to transient conditions (i.e. passing through a barred speed range, sea trial or emergency fast acceleration). The engine can only be operated in this area for limited periods of time, in particular one hour per 24 hours.

2.6 Power range limits with a power take-off installation for a FPP

A main engine-driven generator is named as a Power Take-Off (PTO), as its driving power is provided by the main engine. The addition of a PTO installation alters the working range and operating characteristics of the engine. Two methods of incorporating the PTO are outlined in the following sections. WinGD recommends to follow Method 1.

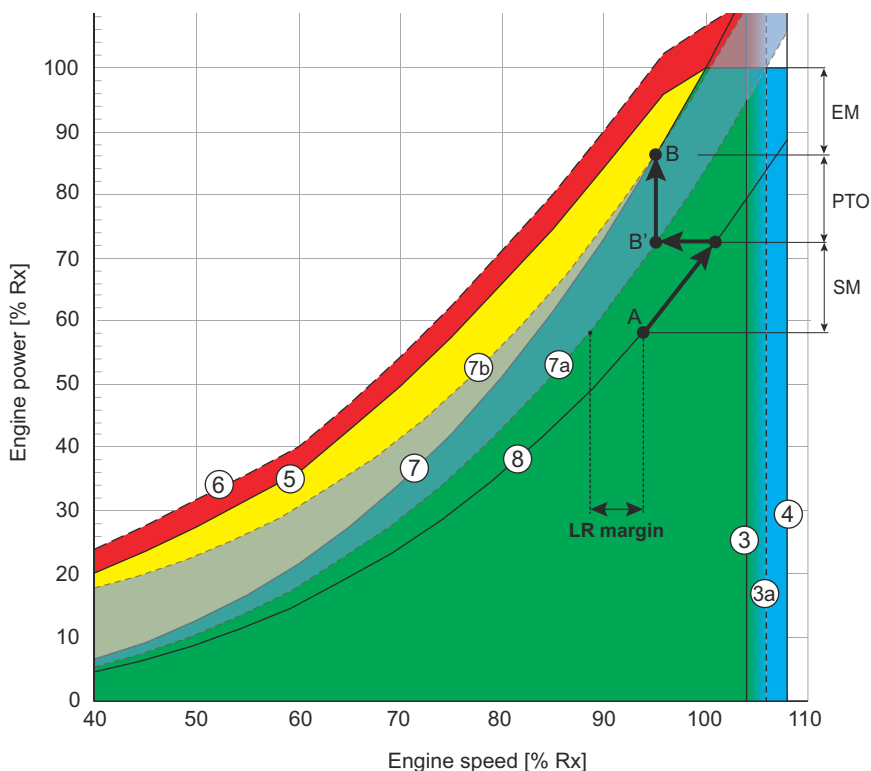
PTO considerations

- The PTO is used for generating the navigation electric power
- The PTO is connected with a frequency converter system
- The PTO is not engaged in heavy sea conditions
- Mechanical power absorption of the PTO must be considered

PTO incorporation of Method 1

CMCR - Method 1

This first method considers the PTO as an addition to the previously defined propeller power requirements, therefore increasing the CMCR of the engine.



(Line 7) = Nominal engine characteristic
 (Line 7a) = Nominal propeller characteristic without PTO
 (Line 7b) = Nominal propeller characteristic with PTO
 Point A = Light running in ideal sea conditions (sea trial)
 Point B = CSR
 Point B' = Continuous service without PTO power

SM-0029

Figure 2-4 Power range diagram of an engine with a PTO

Line 7a in Figure 2-4 shows the power required for the propeller, where Line 7b shows the power needed for the propeller combined with a constant power requirement from the PTO.

With the addition of a constant nominal generator power across the engine power range, the engine curve is changed, so no longer directly related to a propeller characteristic. In Figure 2-4, 2-9, the PTO is assumed to absorb 15% of nominal engine power. The CSR point includes the PTO power demand, this is shown in the same figure between points B' and B. The CMCR point is selected from this propeller curve. This curve defines the nominal engine characteristic.

Method 1 allows for practical and flexible PTO operation, as limitations will only occur in the engine's lower speed range. At this lower speed range, the PTO is limited by a minimum speed requirement (as defined by the PTO device supplier) and by the PTO layout limit Line 10 (only relevant if the PTO operation is using a significant percentage of engine power).

**Line 10
PTO Layout Limit**

The PTO layout limit (Line 10 in Figure 2-5) defines the power limit for the resulting combination of the propeller and PTO. Defining Line 10 as the PTO layout limit provides a margin for normal power load fluctuation and acceleration.

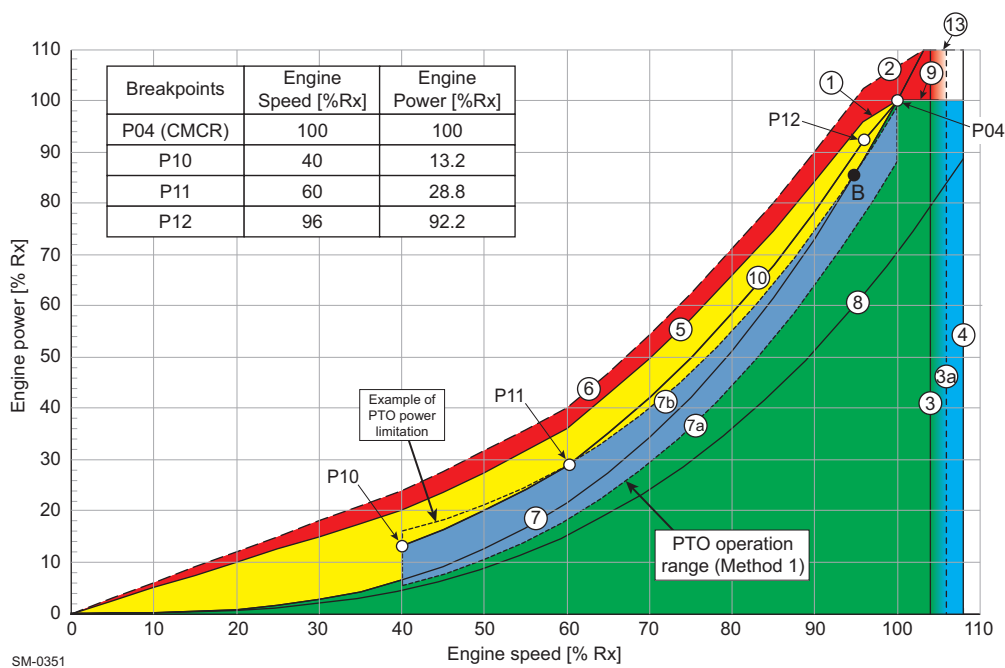


Figure 2-5 Power range limits for PTO operation — Method 1

The breakpoints of Line 10 are listed in Figure 2-5. Line 10 is a curve defined by Formula 2-5, 2-8. The different components have a different coefficient, forming the entire curve (see Table 2-3 for the individual coefficients).

Table 2-3 Line 10 coefficients

Line no.	Range (n/n_{CMCR})	C2	C1	C0
Line 10	0.40 - 0.60	0.750	0.030	0.000
	0.60 - 0.96	1.336	-0.321	0.000
	0.96 - 1.00	0.000	1.941	-0.941

PTO incorporation of Method 2

CMCR - Method 2

With this second method, the engine’s CMCR is determined by the propeller power only. The PTO uses the available engine power which is not absorbed by the propeller.

As shown in Figure 2-6, the available power for PTO application is between Line 8 and Line 10. Therefore, the available PTO power depends on the available light running margin at the current time.

When considering this method, a light running margin of approximately 8% is recommended.

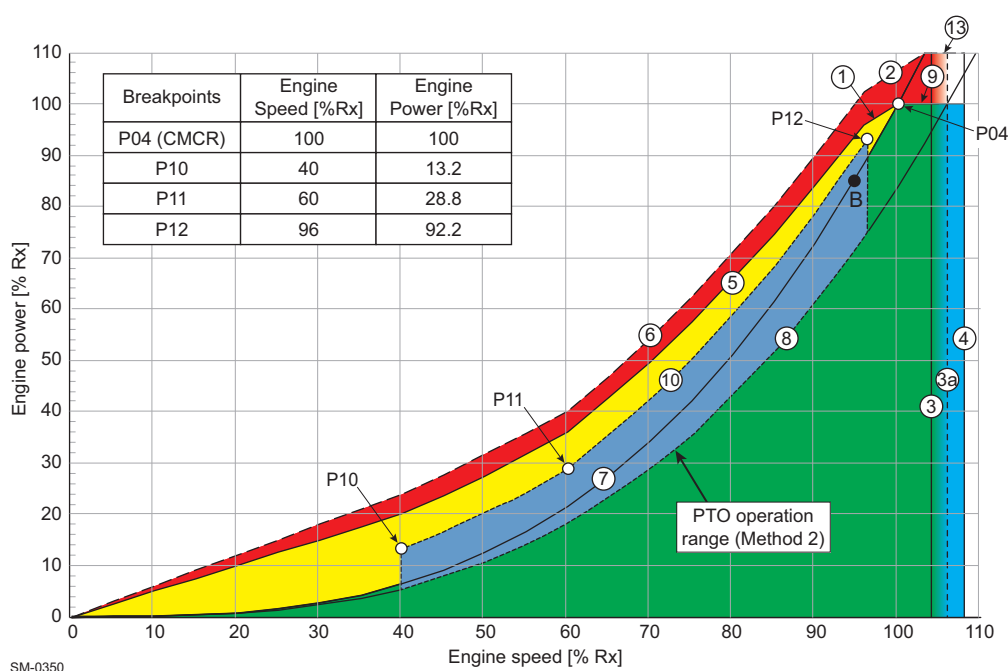


Figure 2-6 Power range limits for PTO operation — Method 2

The PTO power must be controlled by the ship power management system, which ensures that the engine operating point will not exceed Line 10.

Further information

The following disadvantages must be observed for Method 2:

- With the reduction of the light running margin (as a consequence of the ageing hull and propeller) the available PTO power will be reduced and must be limited by the ship power management system.
- The PTO is typically engaged in approximately 40 to 96.5% of engine speed. The final lower limit must be defined with the supplier of the generator. The final upper limit must be set to the project-related CSR engine speed.

If the requested PTO power is higher than the limits defined by Method 2, an increase in CMCR power is necessary.

2.7 Prohibited operation area

Within the higher speed range of the engine there is a prohibited operation area defined by a minimum engine power requirement. During normal operation, including Controllable Pitch Propeller (CPP) at zero pitch operation, the engine will not enter this prohibited area. However, if the propeller is disconnected from the engine, the engine would be capable of entering the prohibited operation area, which is strictly forbidden (see section 4.10.6, 4-74 for PTO testing).

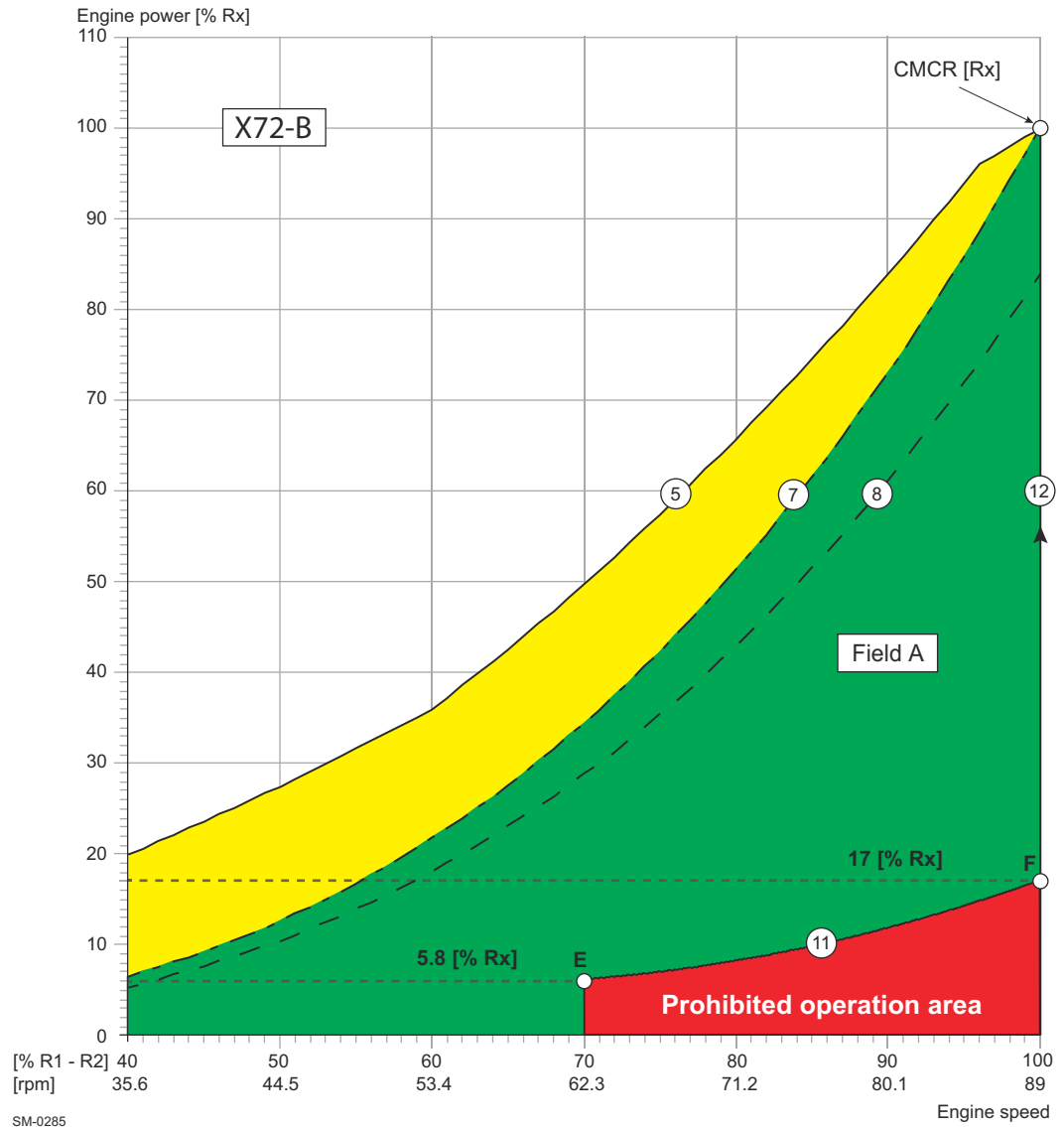


Figure 2-7 The prohibited operation area (CMCR speed = R1—R2)

NOTE It is strictly forbidden for the engine to enter the prohibited operation area.

NOTE For test purposes, the engine may run within the prohibited operation area for a maximum of 30 minutes during testing and sea trials. This operation is only permissible in the presence of authorised representatives of the engine builder. Further requests must be agreed upon by WinGD.

As seen in [Figure 2-7](#), [Fig 2-12](#), the prohibited operation area of an engine is defined by an engine tuned to an R1—R2 speed. At this speed rating the restriction exists between 70% and 100% speed, with a required minimum engine power at these points of 5.8% and 17%, respectively. These values are governed by the [Formula 2-6](#) for Line 11.

If the CMCR speed rating of the engine is less than the R1—R2 speed, the required minimum power at this point is also calculated by the Line 11 equation.

Line 11 The lowest operational power limit, between 70% of R1—R2 speed and 100% CMCR speed, is defined by the following equation:

$$\text{Line11} = 0.17 \times \left(\frac{n}{n_{R1-R2}} \right)^3$$

Formula 2-6

As calculated by this equation and shown in [Figure 2-7](#), [Fig 2-12](#), at 70% of R1—R2 speed the minimum engine power equals approximately 5.8% of the CMCR power (point E). The minimum power requirement at 100% CMCR speed (point F) must be calculated depending on the engine rating. Examples of this calculation are shown further on.

Line 12 While operating at 100% CMCR speed, the allowed engine power can range between the minimum required power (point F) and 100% CMCR power.

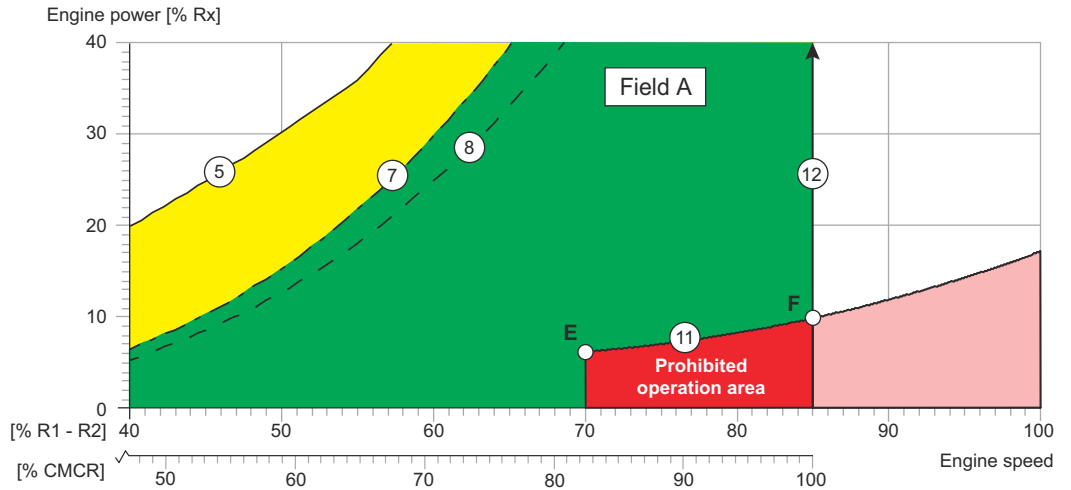
Field A The available design range of the engine is defined by Line 7, Line 11 and Line 12.

NOTE

The operational design range must respect the Barred Speed Range (BSR) limits from torsional vibration.

Prohibited operation area for different speed rated engines

As the prohibited operation area of the engine is between 70% and 100% of the R1—R2 speed, the prohibited area is smaller when the speed rating of the engine is lowered.



SM-0523

Figure 2-8 Calculating the prohibited operation area for the CMCR speed

Figure 2-8 shows an engine with a CMCR speed which is rated at 85% of the R1—R2 speed and therefore is only affected by a portion of the prohibited area of the R1—R2 speed range. The final graph for a CMCR at this speed is shown in Figure 2-9, 2-15.

Power / speed range for
CMCR [Rx] =
85% R1—R2 speed

In Figure 2-9, the engine’s CMCR speed is rated at 85% of the R1—R2 speed. At this speed, a minimum engine power (point F) of 10.4% is required, below this is the prohibited area of operation for the CPP at small (to zero) pitch and disconnected propeller.

Point E is always defined at 70% of the R1—R2 speed and has a minimum power of 5.8%, however in Figure 2-9 this equates to approximately 82% CMCR speed.

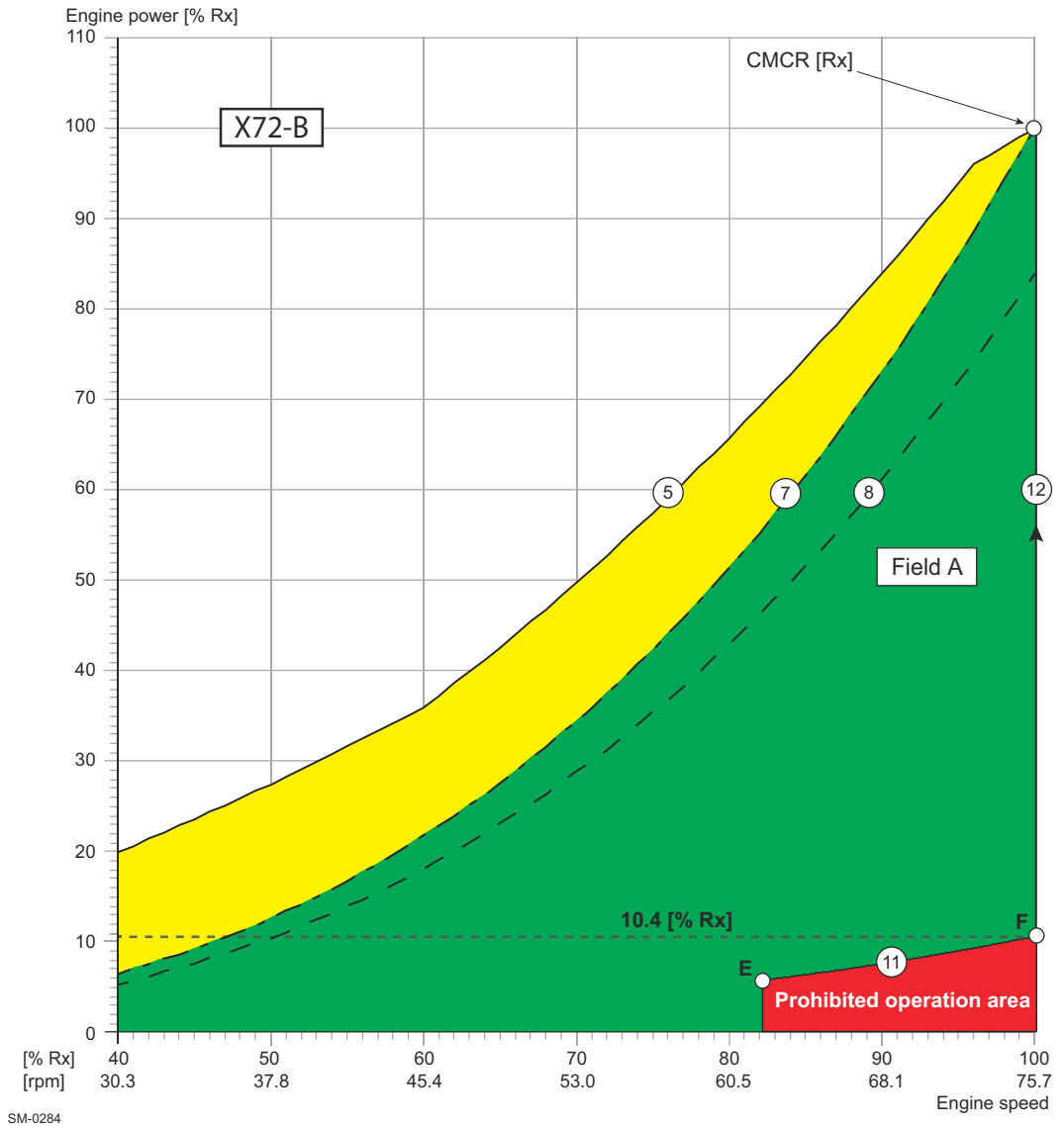


Figure 2-9 The prohibited operation area (CMCR speed = 85% of R1—R2)

**Power / speed range for
CMCR [Rx] =
R3—R4 speed**

In **Figure 2-10**, the engine's CMCR speed is rated at the R3—R4 speed. At this speed, a minimum engine power (point F) of 6.9% is required. Below this is the prohibited area of operation for a disconnected propeller.

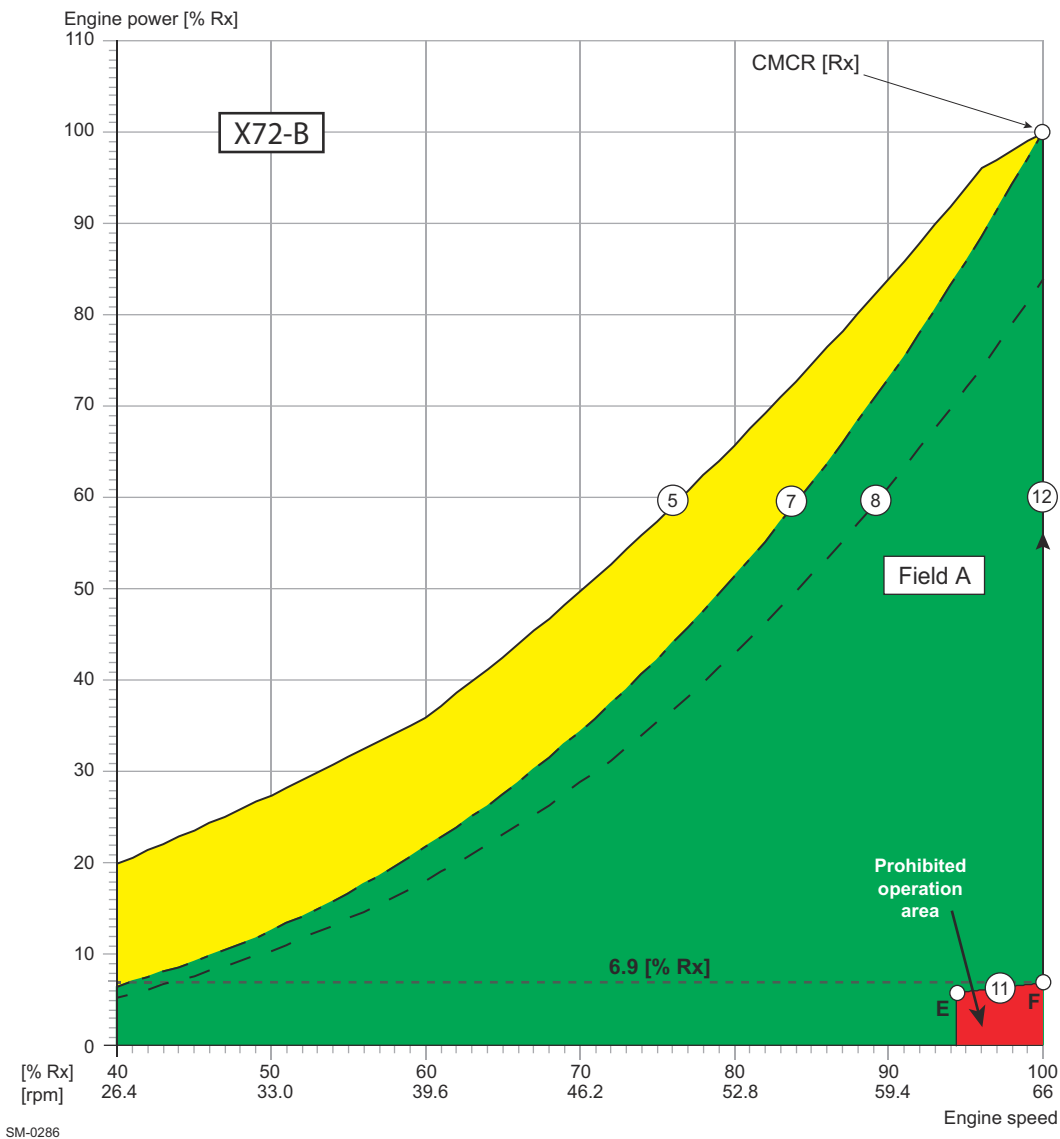


Figure 2-10 The prohibited operation area (CMCR speed = R3—R4)

2.8 CPP requirements for the propulsion control system

WinGD recommends including CPP control functions in an engine Remote Control System (RCS) from an approved supplier. This ensures, amongst others, that the requirements of the engine builder are strictly followed.

The following operating modes can be included in the propulsion control system:

- **Combinator mode 1**
Combinator mode for operation without a shaft generator, or with a shaft generator and frequency control system. Any combinator curve including a suitable light running margin can be set in field A.
- **Combinator mode 2**
Optional mode used in connection with shaft generators. During manoeuvring, the combinator curve is freely selected in field A. At sea, the engine is operated at constant speed on Line 12, between point F and CMCR.

For manual and emergency operation, separate set-points for speed and pitch are usually provided. At any location allowing such operation, a plate must be placed with the following warning:

Engine must not be operated continuously at a pitch lower than xx% at any speed above 62rpm.

The pitch value (xx) is to be defined according to installation data.

For additional information about the CPP application in the propulsion control system, see the section [5.4.2 Recommended manoeuvring characteristics](#), [5-8](#).

Operation in the prohibited area

In addition, if the engine is operated for more than three minutes in the prohibited operation area, an alarm must be provided in either the main engine safety system or the vessel's alarm and monitoring system.

If the engine is operated for more than five minutes in the prohibited operation area, then the speed must be reduced below 62rpm.

3 Engine Installation

The purpose of this chapter is to provide information to assist in the installation of the engine. It is for guidance only and does not supersede current instructions.

3.1 Engine dimensions and masses

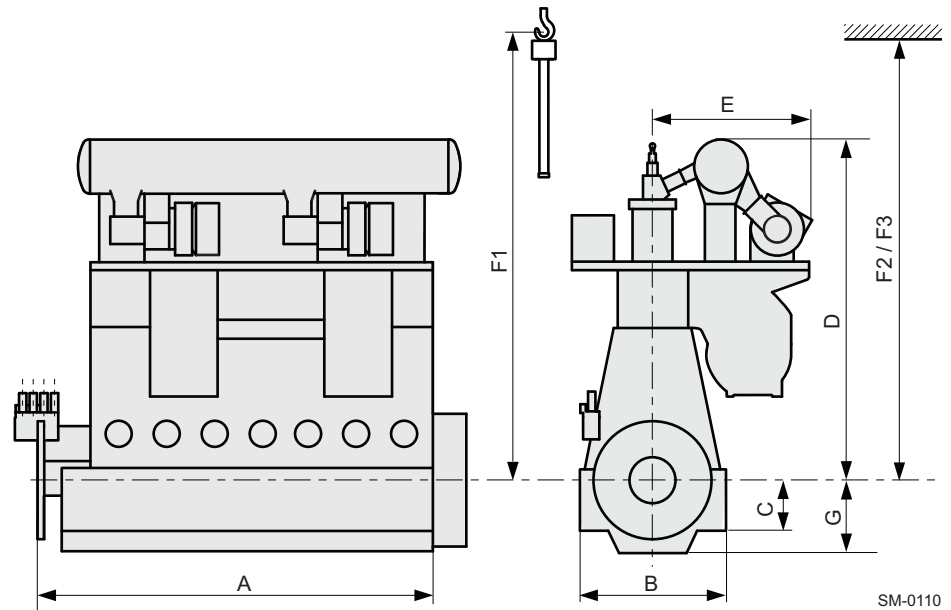


Figure 3-1 Engine dimensions

Table 3-1 Engine dimensions and masses

No. cyl.	Dimension in mm with a tolerance of approx. ±10mm									Net eng. mass ^{a)}
	A	B	C	D	E	F1 ^{b)}	F2 ^{c)}	F3 ^{d)}	G	[tonnes]
5	8,085	4,780	1,575	11,790	Dim. depending on TC type	13,750	13,750	12,820	2,455	481
6	9,375									561
7	10,665									642
8	11,960									716
<p>Min. capacity of standard crane: 7,750 kg (vessel not LNG-ready: 7,500 kg) Min. capacity of double-jib crane^{e)}: 2 x 4,175 kg (vessel not LNG-ready: 2 x 4,050 kg)</p>										

- a) Without oil/water; net engine mass estimated according to nominal dimensions given in drawings, including turbocharger and SAC, piping and platforms
- b) Min. height for vertical removal of piston with standard crane
- c) Min. height for vertical removal of piston with double-jib crane
- d) Min. height for tilted removal of piston with double-jib crane
- e) In cases of double-jib crane application, both hooks are used in parallel; special lifting tools are required
When selecting the double-jib lifting method, it must be considered that maintenance work will demand additional time and effort, especially for tilted removal (F3), compared to standard procedure (F1). Availability of the special lifting tools needs to be considered in the project schedule.

NOTE

The dimensions and masses provided in the above table are not binding. For prevailing data refer to the relevant drawings, which are updated on a regular basis.

Project-specific dimensions and masses for the main components are to be requested from the engine builder.

3.1.1 Dismantling heights for piston and cylinder liner

Dimensions F1, F2, F3 in [Figure 3-1](#), [Fig 3-1](#) and the corresponding table are only for guidance and may vary depending on crane dimensions, handling tools or dismantling tolerances. If these values cannot be met or if more detailed information is required, please contact WinGD.



For details see also drawings '**Dismantling Dimensions**' (DG 0812) provided on the WinGD webpage under the following links:

[5-cyl. engine](#)

[6-cyl. engine](#)

[7-cyl. engine](#)

[8-cyl. engine](#)

3.1.2 Crane requirements

- An overhead travelling crane is to be provided for normal engine maintenance (see [Table 3-1](#), [Fig 3-1](#) for crane capacity)
- The crane is to conform to the requirements of the classification society

NOTE

As a general guidance for crane speeds, WinGD recommends the following:

- A two-speed hoist with a low-speed mode of 0.2-0.8 m/minute and a high-speed mode of 2.0-8.0 m/minute
- A two-speed horizontal movement with a low speed mode of 1.0-4.0 m/minute and a high-speed mode of 4.0-8.0 m/minute

3.1.3 Thermal expansion between the turbocharger and exhaust gas piping

Before making expansion pieces, enabling connections between the engine and external engine services, the thermal expansion of the engine and turbocharger has to be taken into account. The engine expansion is defined (from ambient temperature 20°C to service temperature 55°C) as follows (see also Figure 3-2):

Expansion	Distance from ...
Transverse expansion (X)	... crankshaft centreline to centre of gas outlet flange
Vertical expansion (Y)	... bottom edge of bedplate to centre of gas outlet flange
Longitudinal expansion (Z)	... engine bedplate aft edge to centre of gas outlet flange

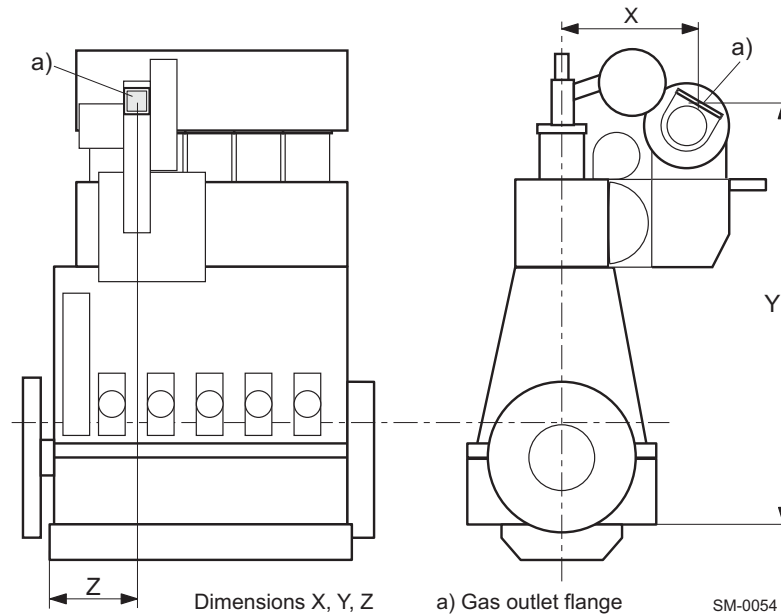


Figure 3-2 Thermal expansion, dim. X, Y, Z

Calculating thermal expansion

$$\Delta x (\Delta y, \Delta z) = X (Y, Z) \cdot \alpha \cdot \Delta T$$

where:

$\Delta x, \Delta y, \Delta z \dots$ = thermal expansion

$X, Y, Z \dots$ = distance as per relevant pipe connection plan and outline drawing

$\alpha \dots$ = $1.15 \cdot 10^{-5}$ (coefficient of thermal expansion)

$\Delta T \dots$ = difference between service temp. and ambient temp. [°C]

NOTE

For thermal expansion values of the turbocharger, please see the specifications of the turbocharger maker.

3.1.4 Content of fluids in the engine

For the quantity of a specific fluid in the engine please refer to the relevant MIDS drawings as listed below:

- Fuel oil — *Fuel oil system*
- Lubricating oil — *Lubricating oil system*
- Cylinder cooling water — *Cooling water systems*
- Freshwater in scavenge air cooler — *Cooling water systems*

3.2 Engine outline views



The latest versions of the **Engine Outline View** (DG 0812) are provided on the WinGD webpage under the following links:

[5-cyl. engine](#)

[6-cyl. engine](#)

[7-cyl. engine](#)

[8-cyl. engine](#)

3.3 Platform arrangement

3.3.1 Drawings

For platform arrangement see the links given in section 3.2, [3-5](#).

3.3.2 Minimum requirements for escape routes

The platforms are arranged in such a way to ensure safe escape routes for the crew according to the minimum requirements of classification societies. Special attention must be given to ensure minimum distance (sufficient headroom) between the ship's platform and the lower engine platform (see [Figure 3-3](#)).

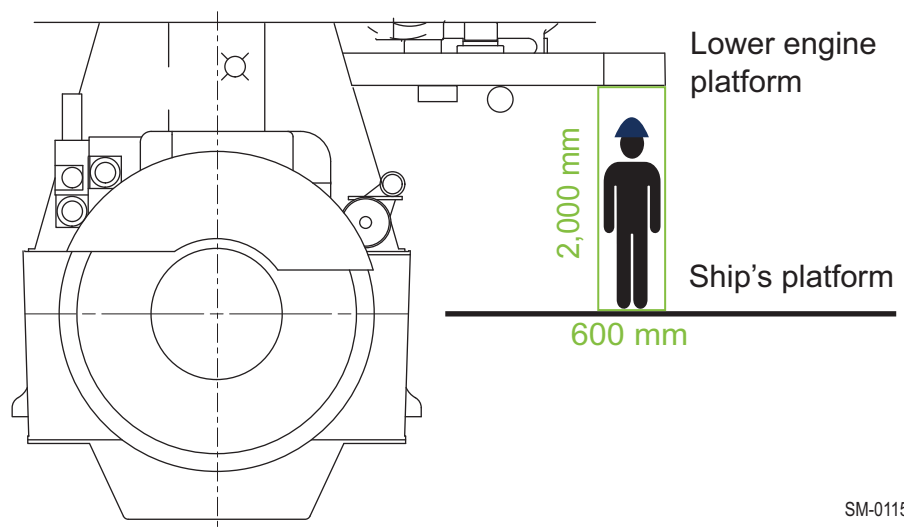


Figure 3-3 Minimum requirements for headroom

NOTE

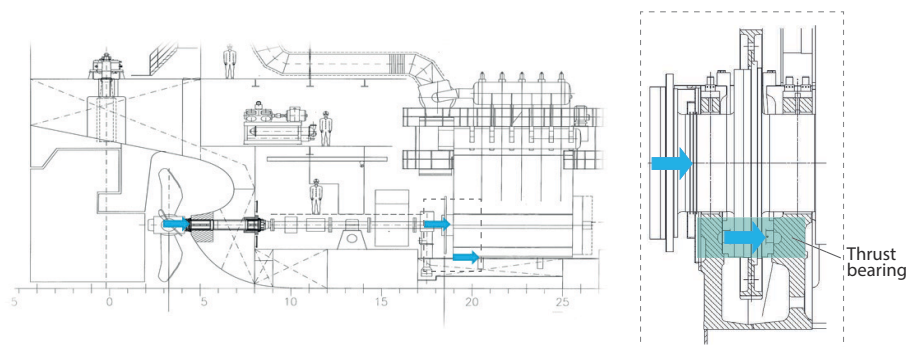
The dimensions and distance between the ship's platform and the lower engine platform must conform to the minimum requirements of classification societies.

No dead ends may be created on engine platforms by shipboard installations. If a dead end cannot be prevented, then an escape route leading to the ship's platform must be made before the dead end. The maximum distance to the escape route must be 2,000 mm.

3.4 Engine foundation and seating

3.4.1 Engine load and force transmission

The engine seating foundation is a structural part of the ship integrated into the double-bottom structure. It must be designed to absorb static and dynamic forces, vibrations and torques from the engine, shaft and the propeller.



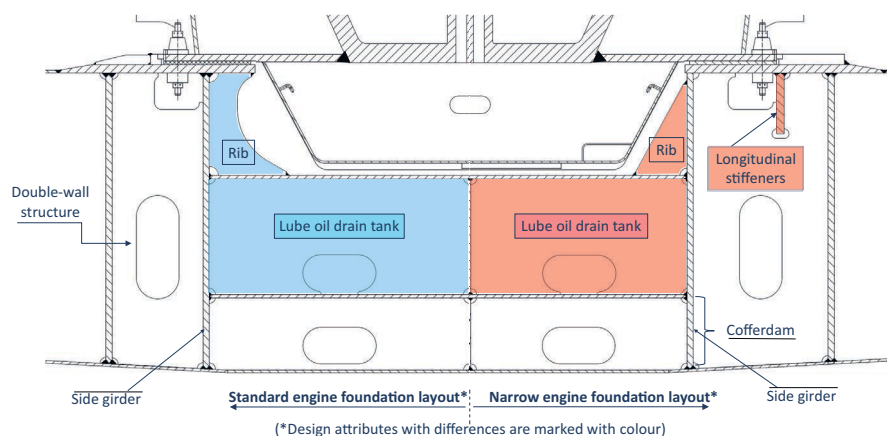
SM-0824

Figure 3-4 Force transmission to the engine foundation

The propulsion thrust is transmitted along the propulsion chain to the engine structure through the thrust bearing. Thrust sleeves are required to absorb the thrust force. In addition, the dynamic behaviour of engine forces requires a stiff engine seating foundation (see the standard bolting in [Figure 3-6](#), [3-9](#)).

3.4.2 Engine foundation layouts

Depending on the owner's requirements and on the ship design, a standard or a narrow engine foundation layout are possible for the engine seating foundation. The main difference between the two engine foundation layouts is the width of the lube oil drain tank underneath the engine (see [Figure 3-5](#)).



SM-0825

Figure 3-5 A comparison of the standard and narrow engine foundation layout

A summary of the advantages and disadvantages of the two engine foundation layouts is provided in [Table 3-2](#).

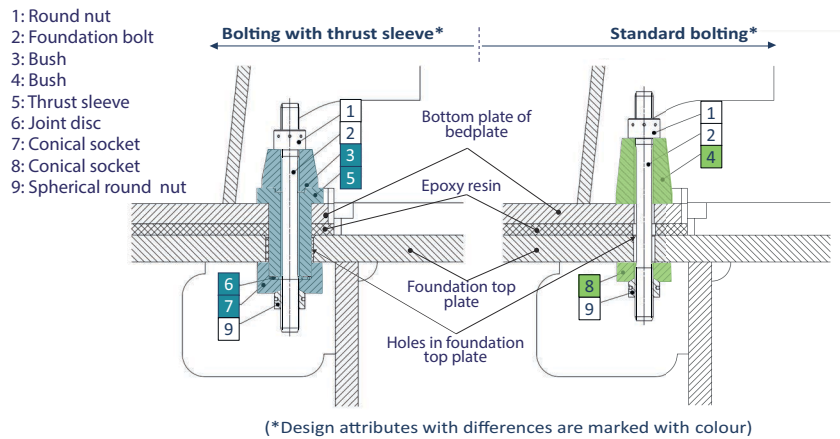
Table 3-2 Advantages and disadvantages for the standard and narrow engine foundation layouts

	Standard	Narrow
Advantages	<p>Forces transmitted to the side girder</p> <p>Dynamic stresses on the bed-plate welding seams are reduced</p> <p>Additional longitudinal stiffeners can be omitted</p> <p>Easier for welding activities and less material is required</p>	<p>Less width is required for the installation which enables engine installation in the aft-most position</p> <p>Less oil volume is required for the same filling height</p>
Disadvantages	<p>More width is required for the installation which limits the flexibility of the engine installation position</p>	<p>More complicated welding activities due to the narrow space caused by the longitudinal stiffener</p>

3.4.3 Engine installation and fixation

To ensure the fixing of the engine under all operating conditions, the engine must be effectively and permanently tightened down by foundation bolts. WinGD recommends the use of thrust sleeves at the driving end. It has proven to be an easy, quick, and cost-efficient method for force transmission. The thrust sleeve is fitted to the bottom plate of the engine bedplate and to the foundation top plate. It serves as an interface for the transmission of various forces. The holes in the foundation top plate are pre-machined (e.g. flame-cut) with a larger diameter than the thrust sleeve. The thrust sleeve in the hole of the foundation top plate is then fixed with epoxy resin (see [Figure 3-6](#), [Fig 3-9](#)). The foundation bolts are inserted in the thrust sleeve and tightened together with the same torque as the regular foundation bolts. Since thrust is transmitted by the thrust sleeves, no end stoppers are required.

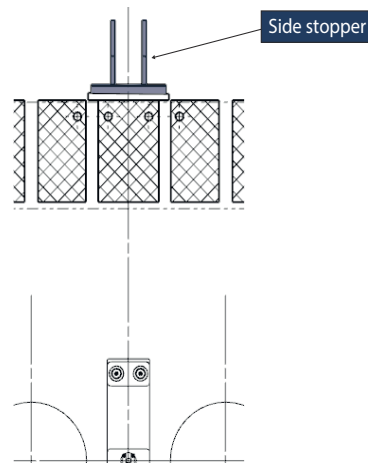
For the engine fixation, foundation bolts are installed without the thrust sleeve assembly parts.



SM-0851

Figure 3-6 Foundation bolting

The classification society requires the use of side stoppers to prevent any lateral movement of the engine in case of collision. Different designs are possible for the side stoppers. WinGD proposes a welded type side stopper design (see [Figure 3-7](#)).



SM-0852

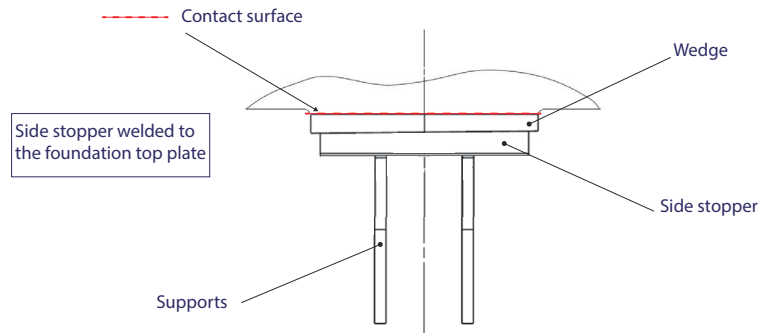
Figure 3-7 Welded type

The welding seam must be continuous over the entire length of the wedge (see [Figure 3-8](#), [3-10](#)). Specifications for the minimum numbers of side-stoppers and their positions are defined in the engine seating and foundation drawing. The minimum required contact surface of each wedge to the engine bedplate are also provided in the drawing.



The latest version of the **Marine Installation Drawing Set** relevant for the engine seating and foundation (DG 9710) is provided on the WinGD webpage under the following link:

[MIDS](#)



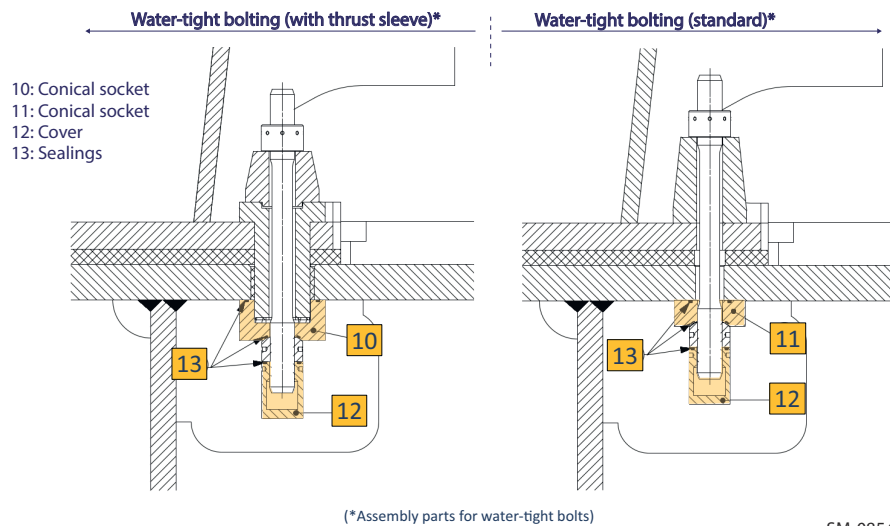
SM-0853

Figure 3-8 Side stopper installation arrangement



More details about engine seating can be found in the relevant **Fitting Instruction** (DG 9710) on the WinGD webpage under the following link:
[Fitting Instruction](#)

In some specific fitting conditions (e.g. when the foundation is directly connected to the bottom or to the cofferdam), the classification society requires the use of water-tight bolting for the engine fixation. In these cases, the use of water-tight bolting protects the engine room from the risk of flooding (see [Figure 3-9](#)).



(*Assembly parts for water-tight bolts)

SM-0854

Figure 3-9 Proposed designs for water-tight bolting

3.5 Assembly

Engines may be installed as complete units or assembled from subassemblies in the vessel, which may be afloat, in dry dock, or on the slipway.

3.5.1 Assembly of subassemblies

When the engine seating has been approved, the bedplate is lowered onto blocks placed between the chocking points. The thickness of the blocks depends on the final alignment of the engine. Engine bedplates comprise fabricated sections with tapped holes for the jacking screws for engine alignment, and drilled holes to allow the passing of the holding-down bolts.

For checking the dimensions optical devices or lasers may be used

- Proceed with the preliminary alignment of the bedplate using wedges or jacking screws.
- Position the engine coupling flange to the intermediate shaft coupling flange.
- Ensure that the gap between both flanges is close to the calculated figures and that both flanges are exactly parallel on the horizontal plane (max. deviation 0.05 mm).
- In the vertical plane, set the engine coupling flange 0.4-0.6 mm higher than the calculated figures.
- Place the bearing caps in position and install the turning gear.
- Ensure that the crankshaft deflections are as recorded in the 'Engine Assembly Records'.
- Check the bedplate level in longitudinal and diagonal directions with a taut-wire measuring device provided by the engine builder.
- Compare the readings with those recorded at works.

All final dimensions are to be witnessed by the representatives of the engine builder and the classification society, and recorded on appropriate log sheets. Crankshaft deflections at this stage are to correspond with the values recorded at works.

- Temporarily secure the bedplate against unexpected movement.
- Continue engine assembly by mounting the columns, cylinder blocks, running gear and scavenge air receiver.
- Ensure that the bearing caps are loose before tensioning the tie rods.
- Make periodic checks of the crankshaft deflections to observe and correct any possible engine distortions.
- Carry out careful adjustments of the wedges or the jacking screws to re-establish the preliminary alignment setting.

NOTE

The process of using jacking screws and wedges is defined in [MIDS](#) and must be followed to prevent any damage.

Once the engine assembly is completed, the final alignment and chocking is carried out with the vessel afloat.

3.5.2 Installation of a complete engine

In the event that the engine is shipped in part deliveries and assembled at the shipyard before installation in the vessel, the shipyard is to undertake assembly work in accordance with the demands of a representative of the engine builder and the classification society.

NOTE

- Strict attention is to be paid to the removal of anti-corrosion coatings and the subsequent application of rust preventing oil where required.
- The alignment tools are to be clean and ready for use.


Please observe:

- Engine mounting is to be carried out systematically.
- The measurement readings have to be recorded on appropriate log sheets and compared for correctness with the data in the 'Engine Assembly Records' completed after test run in the manufacturer's works.
- The engine is to be lowered onto blocks placed between the chocking points.
- The blocks are to be set in such a manner that the engine is slightly higher than the final position, because less effort is required to lower the engine than to raise it for alignment.
- For movements in the horizontal plane, both in lateral or longitudinal directions, the shipyard is to construct appropriate anchor points for the use of hydraulic jacks. Such movements have to be carried out with great care to avoid stresses and distortions to the bedplate.
- Regular crankshaft deflection readings have to be taken to observe the effects, and any noticed deviation has to be rectified immediately.

3.5.3 Installation of an engine from assembled subassemblies

Subassemblies of the engine may be assembled ashore before installation in the ship. One such assembly may comprise the following components:

- Bedplate
- Main and thrust bearings
- Crankshaft
- Turning gear
- Flywheel

The placing on blocks and alignment to shafting is analogue to that described in section 3.5.1,  3-11.

3.5.4 Installation of an engine in ship on slipway

Installing a complete or partially assembled engine in a ship under construction on an inclined slipway is possible when careful attention is paid to the following:

- Large components suspended to take account of the incline
- Tie rods centred and exactly perpendicular to the bedplate before tightening.
- Side, fore and aft arresters temporarily fitted to prevent the engine from moving during launching of the ship
- Additional temporary stays attached at upper platform level to steady the engine during launching

3.6 Engine and shaft alignment

Alignment and chocking of the engine should be carried out in accordance with our recommendations and is subject to test and inspection by the relevant classification society.

Each stage of engine mounting is to be checked by qualified personnel and the measurements cross-checked with the design figures. In the event of discrepancies the responsible parties (e.g. shipyard) are to advise the representative of the engine builder or WinGD.

3.6.1 Instructions and limits

Alignment can be done with either jacking screws or wedges.



For detailed alignment procedures refer to the latest version of **Engine Alignment Documents** (DG 9709) provided on the WinGD webpage under the following link:

[Engine alignment](#)

3.6.2 Tools



For **Engine Alignment Tools** (DG 9710-01) refer to the latest version of the respective drawings, which are provided on the WinGD webpage under the following link:

[Tool engine alignment](#)

3.7 Engine coupling

3.7.1 Design

The design of coupling bolts and holes for the flange connection of crankshaft / propulsion shafts as provided by design group 3114 is included in the engine design approval by all major classification societies.

3.7.2 Machining and fitting of coupling bolts

- Before fitting the coupling bolts ensure that the mating flanges are concentric. Close the gap between the flanges completely by means of min. 4 temporary (non-fitted) bolts evenly distributed over the pitch hole diameter.
- Carry out drilling and reaming of engine and shaft couplings by means of a computer controlled drilling machine or an accurately centred jig.
- In the case of non-matching holes or damaged holes apply joint cylindrical reaming to an oversize hole and then fit an individually machined bolt.
- The bolts have to be available for inserting in the holes on completion of reaming. Each bolt is to be stamped with its position in the coupling, with the same mark stamped adjacent to the hole. The following tolerances have to be met:
 - bolt hole tolerance: H7
 - bolt tolerance: g6 (clearance fit)
- If there is any doubt that a fitted bolt is too slack or too tight, refer to the classification society surveyor and a representative of the engine builder.

3.7.3 Tightening

- When tightening the coupling bolts it is essential to work methodically. Perform crosswise tightening, taking up the threads on opposite bolts to hand-tight, followed by sequential torque tightening. Finally ensure the same proper tightening for all bolts.
- Mark each bolt head in turn (1, 2, 3, etc.) and tighten opposite nuts in turn according to the Tightening Instructions, making sure that the bolt head is securely held and unable to rotate with the nut.
- Lock castellated nuts according to Class requirements with either locking wires or split pins. Use feeler gauges during the tightening process to ensure that the coupling faces are properly mated with no clearance.

3.7.4 Installation drawing



The latest version of the drawing, relevant for the **Connection Crank / Propeller Shaft** (DG 3114), is provided on the WinGD webpage under the following link:
[Connection crank / propeller shaft](#)

3.8 Engine stays

Ship vibrations and engine rocking caused by the engine behaviour (see chapter 6 *Engine Dynamics*, § 6-1) are reduced by fitting lateral stays (refer to section 6.2 *External lateral forces and moments*, § 6-6) and longitudinal stays (see section 6.3 *Longitudinal vibration (pitching)*, § 6-14).



The latest version of the **Marine Installation Drawing Set** relevant for engine stays (DG 9715) is provided on the WinGD webpage under the following link:

MIDS

3.9 Propulsion shaft earthing

Electric current flows when a potential difference exists between two materials. The creation of a potential difference is associated with *thermoelectric* by the application of heat, *tribo-electric* between interactive surfaces, *electrochemical* when an electrolytic solution exists, and *electromagnetic induction* when a conducting material passes through a magnetic field.

Tracking or leakage currents are created in machinery by any of the above means and — if they are not adequately directed to earth — can lead to component failures, or in some cases result in fires and interference with control and monitoring instrumentation.

3.9.1 Preventive action

Using earthing brushes in contact with slip rings and bonding the chassis by braided copper wire are common ways of protecting electric machines. Where operating loads and voltages are comparatively low, the supply is isolated from the machine by an ‘isolating transformer’, often with handheld power tools. The build specification dictates the earthing procedure to be followed and the classification society is to approve the final installation.

On vessels with star-wound alternators the neutral is considered to be earth, and electrical devices are protected by automatic fuses.

Isolation of instrument wiring

Ensure that instrument wiring meets the building and classification society specifications and that it is shielded and isolated to prevent induced signal errors and short circuits.

In certain cases large items of machinery are isolated from their foundations, and couplings are isolated to prevent current flow, for instance when electric motors are connected to a common gear box.

Retrospective fitting of earthing devices is not uncommon, but due consideration is to be given at design stage to adequate shielding of control equipment and earthing protection where tracking and leakage currents are expected. Magnetic induction and polarisation are to be avoided and degaussing equipment incorporated if there is likely to be a problem.

3.9.2 Earthing device

Figure 3-10, 3-17 shows a typical shaft earthing device.

The slip ring (1) is supplied as matched halves to suit the shaft, and secured by two tension bands (2) using clamps (12). The slip ring mating faces are finished flush and butt jointed with solder. The brushes (4) are housed in the twin holder (3) clamped to a stainless steel spindle (6), and there is a monitoring brush (11) in a single holder (10) clamped to an insulated spindle (9). Both spindles are attached to the mounting bracket (8).

Conducting material for slip rings

Different combinations of conducting material are available for the construction of slip rings. However, alloys with a high silver content are found to be efficient and hard wearing.

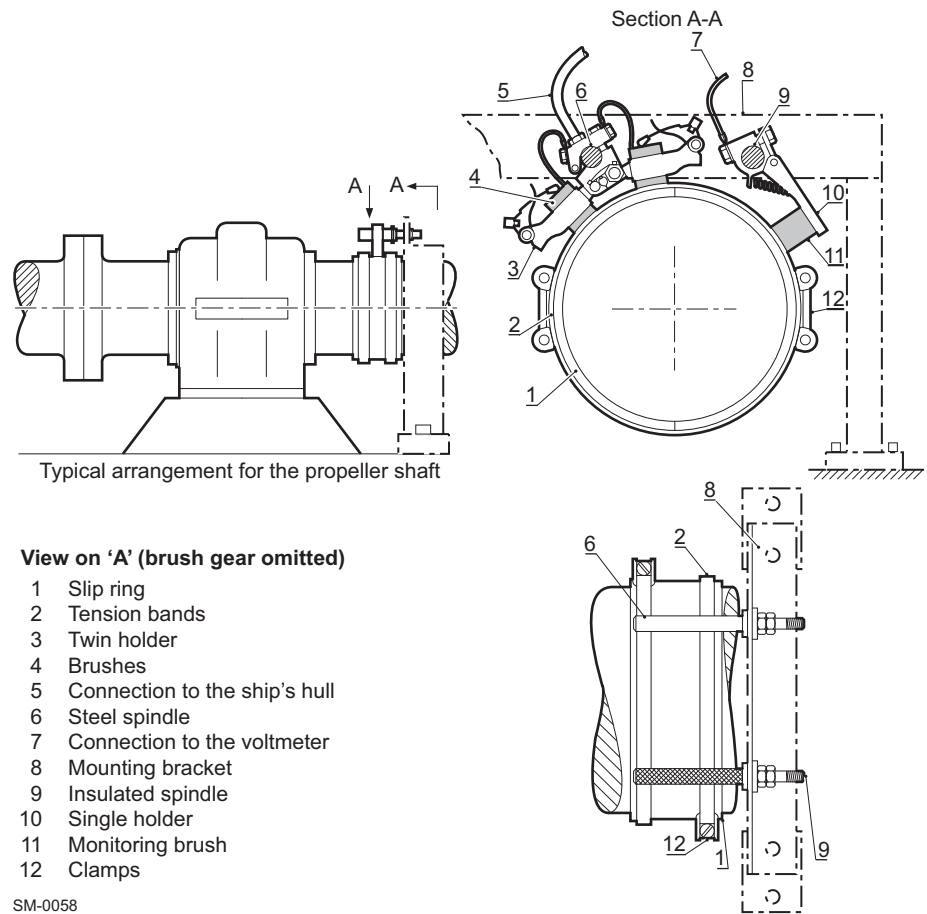


Figure 3-10 Typical shaft earthing arrangement

Position of earthing device on shaft

The position of the earthing device must be as close as possible to the main engine's flywheel. For installation of a PTO/PTI/PTH on the driving end side, the earthing device must be placed between the PTO/PTI/PTH and the main engine's flywheel.

NOTE

An additional earthing device might be required to protect the shaft bearings and the stern tube bearings. For detailed information please contact the earthing device supplier.

Connecting electric cables

The electric cables are connected as shown in [Figure 3-11](#), [3-18](#) with the optional voltmeter. This instrument is at the discretion of the owner, but it is useful to observe that the potential to earth does not rise above 100mV.

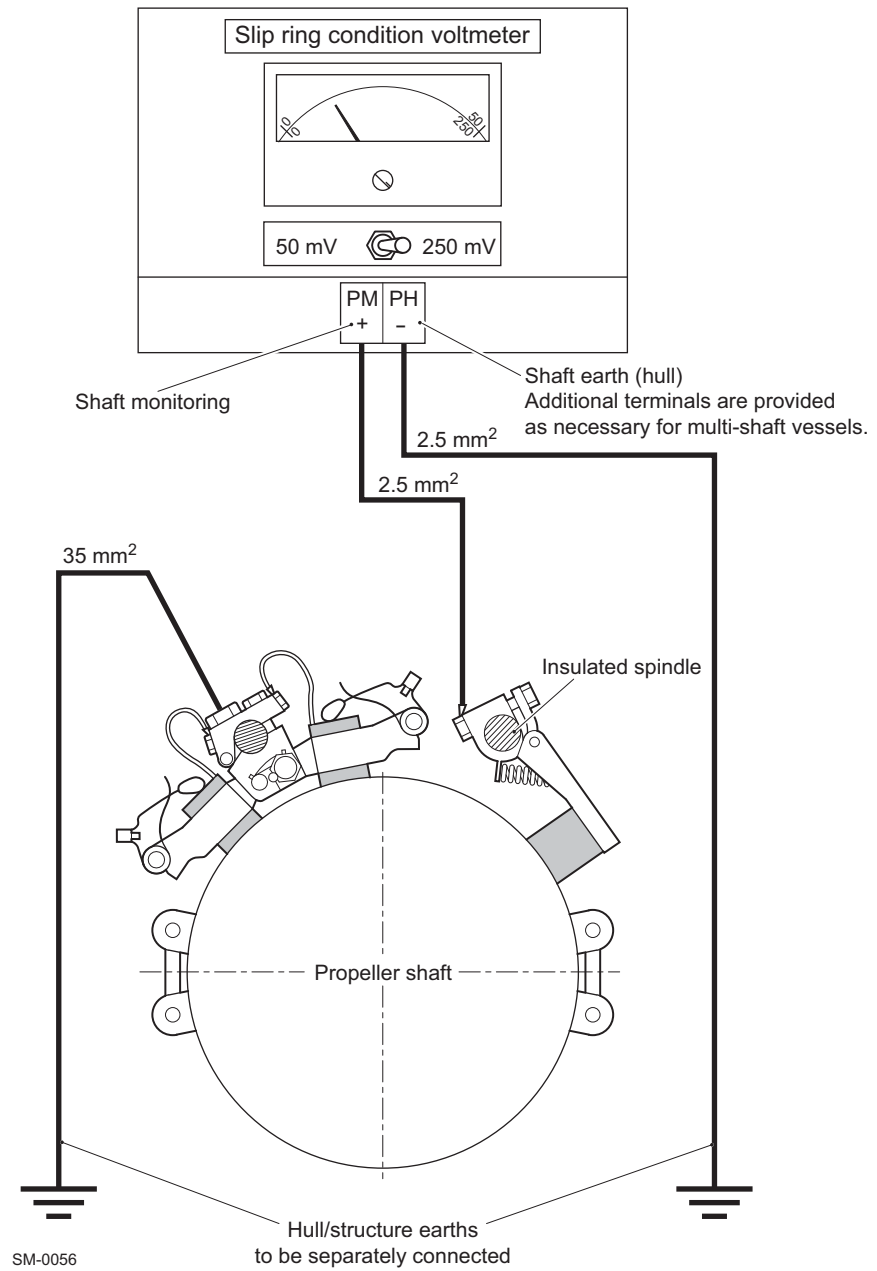
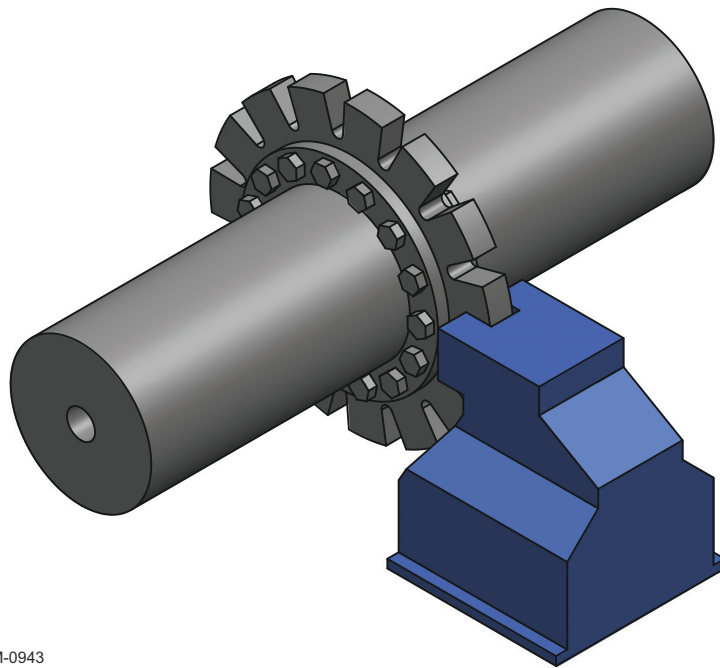


Figure 3-11 Typical shaft earthing with condition monitoring facility

3.10 Twin-engine propulsion

Twin engines are used in many applications depending on design rules and customer requirements. This layout offers increased system redundancy, permitting one engine to be taken out of service without disabling the ship. Such work is common during a port stay with one engine on standby, while maintenance is performed on the other.

WinGD recommends that a shaft-locking device is added to all twin-engine installations (see [Figure 3-12](#)).



SM-0943

Figure 3-12 Example of a shaft-locking device

NOTE

During ship design, the impact of vibration by operating the vessel with one shaft locked or windmilling must be considered. The torsional vibration loads must be checked with a Torsional Vibration Calculation (TVC). For further details, please see section 6.4, [6-16](#).

3.11 Fire protection

Fires may develop in areas such as scavenge air receiver / piston underside. The engine is fitted with a piping system which leads the fire extinguishing agent into the critical areas.

Where fire protection is required, the final arrangement of the fire extinguishing system is to be submitted for approval to the relevant classification society.

Extinguishing agents

Various extinguishing agents can be considered for fire fighting purposes. They are selected either by the shipbuilder or the ship owner in compliance with the rules of the classification society involved.

Steam as an alternative fire extinguishing medium is permissible for the scavenge air spaces of the piston underside, but may cause corrosion if countermeasures are not taken immediately after its use.

These countermeasures comprise:

- Opening scavenge spaces and removing oil and carbon deposits
- Drying all unpainted surfaces and applying rust protection (i.e. LO)

NOTE

If steam is used for the scavenge spaces, a water trap is recommended to be installed at each entry to the engine and assurance obtained that steam shut-off valves are tight when not in use.

Table 3-3 Recommended quantities of fire extinguishing medium

Piston underside and scavenge air receiver		Bottle		Number of cylinders			
				5	6	7	8
Volume [m ³ /cyl]	Mass [kg/cyl]	Size [kg]	Extinguishing medium	Quantity of fire extinguishing bottles			
8	29	45	Carbon dioxide (CO ₂)	4	4	5	6

3.12 Conditions and requirements

3.12.1 Pressure and temperature ranges



Please refer to the document ‘**Usual values and safeguard settings**’, which is provided by WinGD under the following link:

[Usual values and safeguard settings](#)

For signal processing see also [5.6.1 Signal processing](#), ¶ 5-12.

3.12.2 Operating conditions

The engine can be operated without any restrictions in the ambient condition range ‘winter’, as permissible by *GTD*, up to design conditions. Operation outside these limits is possible, but further measures might need to be taken and the power output might be limited (see [4.8.4 Outside ambient air temperature](#), ¶ 4-64). For project-specific support please contact WinGD.

Reference conditions

Engine performance data — like BSEC, BSEF, tEaT and others — are based on reference conditions. These conditions are specified in ISO standard 15550 (core standard) and, for marine application, in ISO standard 3046 (satellite standard) as follows:

Air temperature before blower:	25 °C
Engine room ambient air temperature:	25 °C
Coolant temperature before SAC:	25 °C
Barometric pressure:	1,000 mbar
Relative humidity:	30 %

Design conditions

The capacities of ancillaries are specified according to ISO standard 3046-1 (clause 11.4) following the International Association of Classification Societies (IACS) and are defined as design conditions:

Air temperature before blower:	45 °C
Engine room ambient air temperature:	45 °C
Coolant temperature before SAC:	36 °C
Barometric pressure:	1,000 mbar
Relative humidity:	60 %

3.12.3 Ancillary systems design parameters

The layout of the engine's ancillary systems is based on the engine's rated performance (rating point Rx, CMCR). Several parameters must be considered to ensure proper function of the engine and its ancillary systems.

Cylinder cooling water and system oil temperatures

The cylinder cooling water outlet and system oil inlet temperatures must be controlled in the relevant ancillary system to remain within specified levels.

Cylinder cooling water outlet temperature:	90 °C
Oil temperature before engine:	45 °C

Exhaust gas back pressure

The system layout back pressure design limits listed below are based on a new and clean exhaust gas system. The operational limits must be maintained under normal operational conditions, which will include some fouling.

Exhaust gas back pressure at rated power (Rx):

- Without additional exhaust gas treatment:
 - Design limit: 30 mbar
 - Operational limit: 50 mbar
- With additional exhaust gas treatment
 - Design limit: 60 mbar
 - Operational limit: 80 mbar

3.12.4 Electrical power requirement

Table 3-4 Electrical power requirement

No. cyl.	Power requirement [kW]	Power supply
Auxiliary blowers^{a)}		
5	2 x 58	440V / 60Hz
6	2 x 68	
7	2 x 80	
8	2 x 91	
Turning gear		
5	7.5	440V / 60Hz
6	7.5	
7	7.5	
8	7.5	
Engine control system		
5	0.7	220V / 60Hz
6	0.7	
7	0.9	
8	0.9	
Trace heating of injection pipes		
5	2.6	220V / 60Hz
6	3.1	
7	3.6	
8	4.1	
Trace heating of cylinder lubricating oil pipes^{b)}		
5	0.5	220V / 60Hz
6	0.5	
7	0.6	
8	0.7	
Propulsion control system		
All	Acc. to maker's specifications	24VDC UPS
Additional monitoring devices (e.g. oil mist detector, etc.)		
All	Acc. to maker's specifications	

a) Minimal electric motor power (shaft) is indicated. Actual electric power requirement depends on size, type and voltage/frequency of installed electric motor. Direct starting or Star-Delta starting to be specified when ordering.

b) The values provided are only for the on-engine pipes. The engine provides the possibility to connect an external trace heating cable of up to 80 m (which corresponds to the 16 A circuit breaker rating).

4 Ancillary Systems

Sizing the ancillary systems of the engine, i.e. for freshwater cooling, lubricating oil, fuel oil, etc., depends on the contracted maximum engine power. If the expected system design is out of the scope of this manual, then contact our representative or WinGD directly.



The *GTD* application provides data for estimating the size of ancillary equipment and enables all engine and system data at any Rx rating within the engine rating field to be obtained. However, for convenience or final confirmation when optimising the plant, WinGD provides a computerised calculation service.

All pipework systems must be flushed and proved clean before commissioning

All pipework systems and fittings are to conform to the requirements laid down by the legislative council of the vessel's country of registration and the classification society selected by the owners. They are to be designed and installed to accommodate the quantities, velocities, flow rates and contents identified in this manual, set to work in accordance with the build specification as approved by the classification society and protected at all times from ingress of foreign bodies.

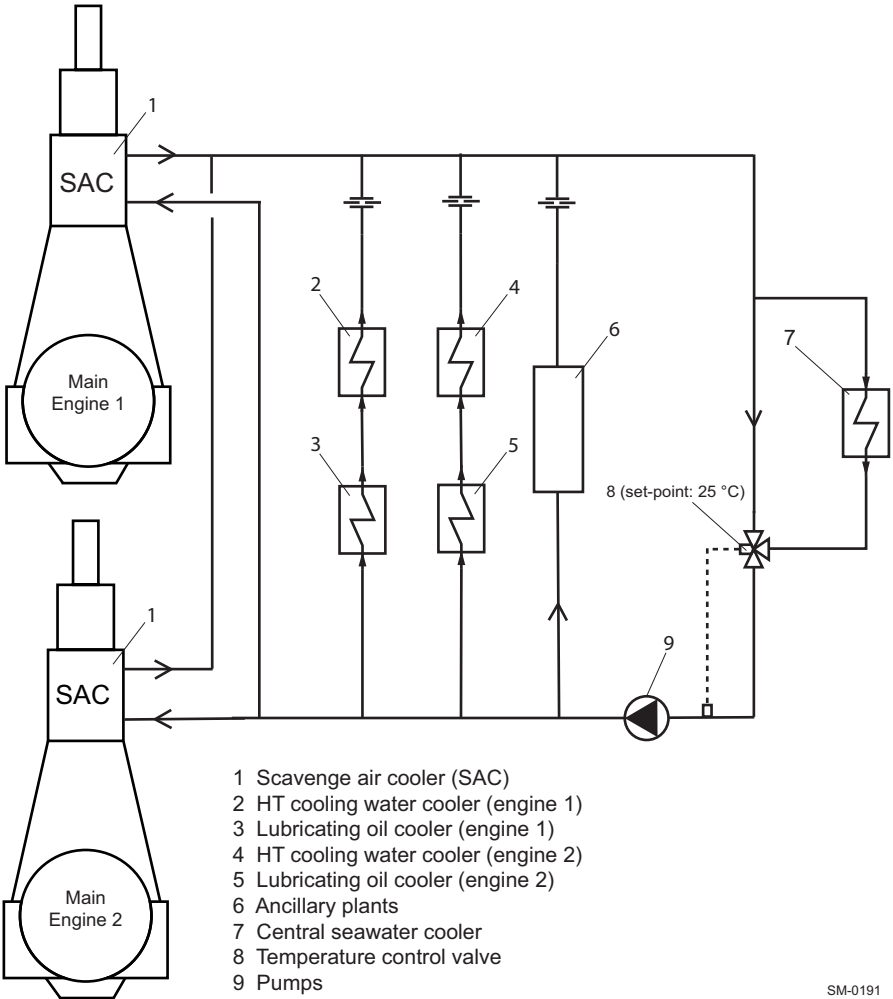
4.1 Twin-engine installation

A vessel equipped with two separate main propulsion engines is considered a twin-engine installation. The installation of two WinGD 2-stroke engines allows combining individual engine auxiliary systems.

In [Table 4-1](#), WinGD provides information based on engine requirements. Class and other binding rules might overrule.

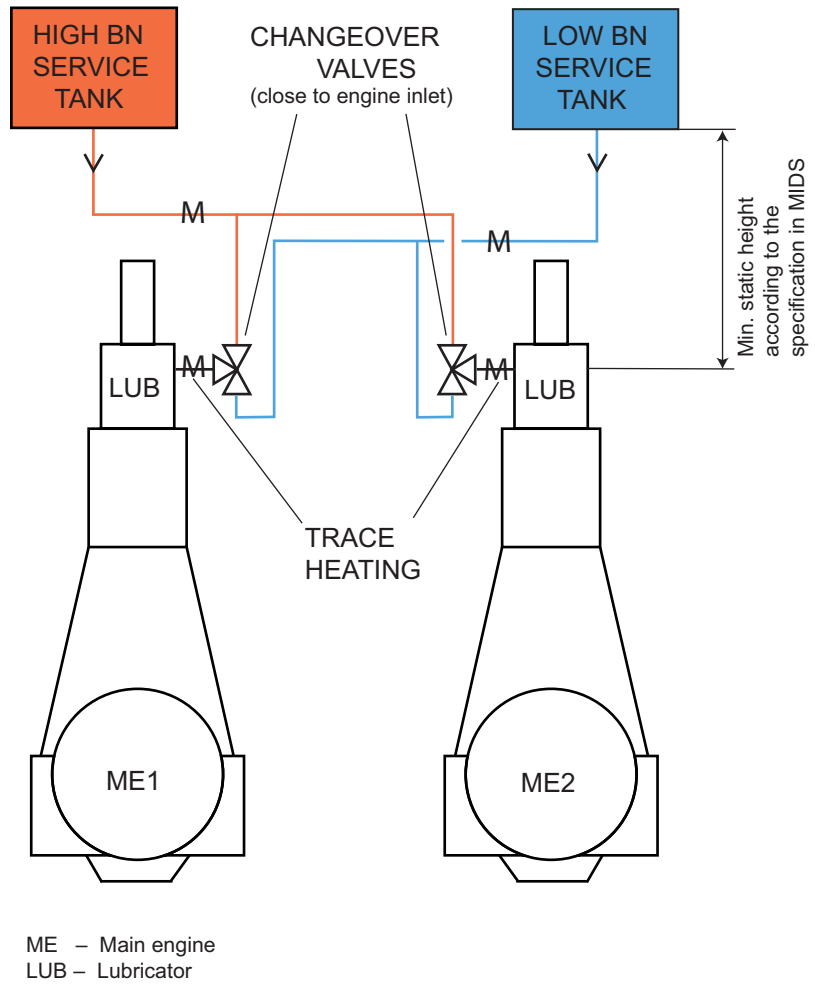
Table 4-1 Common and independent systems in twin-engine installations

System	Independent system for each engine required	Common system possible	Remarks
LT cooling water system (see Figure 4-1 , 4-3)		X	Please note: Parallel independent LT cooling water supply per engine to the scavenge air coolers from common LT cooling water circuit
		X	Please note: Parallel independent LT cooling water supply per engine to the LO cooler and HT cooling water cooler from common LT cooling water circuit
HT cooling water system	X		
Main LO system	X		
Cylinder LO system (see Figure 4-2 , 4-4)		X	Day tanks for high- resp. low BN lubricating oil
		X	Rising pipe
	X		Separate distribution to each engine
Fuel oil system		X	Feed system
	X	(X)	Booster circuit systems
Air supply system	X		
Control air		X	Supply system
Leakage collection system and washing devices	X		
Exhaust gas system	X		
Engine venting pipes	X		
X = proven solution (X) = alternative solution, if specific conditions are met			



SM-0191

Figure 4-1 LT cooling water system for twin-engine installation



SM-0193

Figure 4-2 Cylinder LO system for twin-engine installation

4.2 Cooling water system



The latest version of the **Marine Installation Drawing Set** relevant for the cooling water system (DG 9721) is provided on the WinGD webpage under the following link:

[MIDS](#)

Freshwater cooling system

The main engine high-temperature (HT) and low-temperature (LT) cooling circuits use freshwater as their cooling medium. As such, the HT and LT circuits are integrated in the ship's central freshwater cooling system.

Advantage of freshwater over seawater

Freshwater cooling systems reduce the amount of seawater pipework and its associated problems like scaling and corrosion. Freshwater provides for more efficient cooling as it allows a higher heat load than seawater, i.e. freshwater can be heated up to a higher temperature level and, along with a lower flow rate, allows the same cooling effect to be obtained. Thereby the overall running costs are reduced.

Separate HT circuit with own cooler

The central freshwater cooling system for the WinGD X72-B runs with single-stage scavenge air cooler and separate HT circuit. The HT circuit must be completely separate from the LT circuit. A dedicated HT water cooler is applied for heat exchange between HT and LT circuit without flow medium mixing. [Figure 4-3](#) shows the general installation principle.

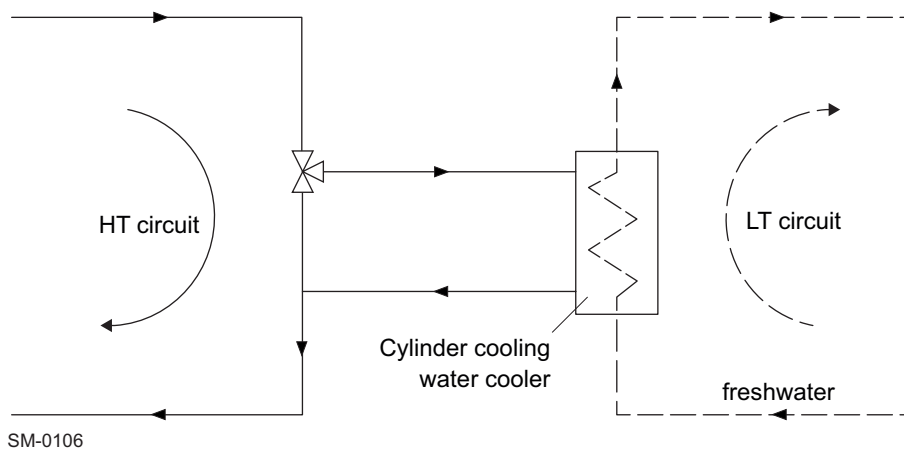


Figure 4-3 Separate HT cooling water circuit

NOTE

For detailed cooling design and the necessary data for this arrangement please refer to MIDS and GTD respectively.

4.2.1 Low-temperature circuit

The LT cooling water circuit for the main engine provides cooling for the SAC, the LO cooler and the MDO/MGO cooler.

Setting of automatic temperature control valve for cooling water

For the main engine SAC, the set-point of the automatic temperature control valve can be between 10 and 36°C. Low cooling water temperature results in low scavenge air temperature and consequently low BSFC and BSEC. Therefore, WinGD recommends a set-point of 25°C.

In cold seawater, the automatic temperature control valve restricts the flow to the seawater and its cooling effect to maintain the freshwater at the set temperature. If the seawater is warmer, it may be unable to reduce the freshwater to this set temperature, even when the automatic temperature control valve is fully open. In such cases, the freshwater will be cooled down to a temperature 4°C above that of seawater, for example, to 36°C when the seawater temperature is 32°C.

Arrangements of LT cooling water circuit

Depending on the ancillary equipment and the temperature set-point selection, the LT circuit can be typically installed in the following arrangements:

- Arrangement 1 — Single set-point temperature (see [Figure 4-4](#), [4-7](#))
- Arrangement 2 — Dual set-point temperatures (see [Figure 4-5](#), [4-7](#))
- Arrangement 3 — Separate SAC cooling circuit (see [Figure 4-6](#), [4-8](#))

Arrangement 1

To maintain the required SAC inlet temperature, the automatic temperature control valve of the central freshwater cooling system is set between 10 and 36°C (WinGD specification). In this arrangement, the ancillary plant and other cooler temperatures are controlled and maintained by this single temperature set-point.

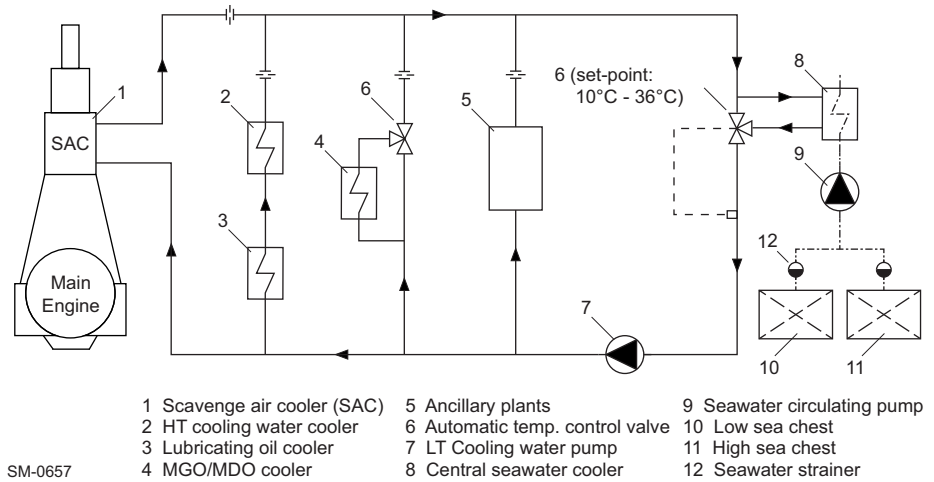


Figure 4-4 LT cooling water circuit — Single set-point temperature

Arrangement 2

The central freshwater cooling system is separated into different cooling streams to provide different temperature set-points for the ME SAC and ancillary equipment. To maintain the required SAC inlet temperature, the automatic temperature control valve of the central freshwater cooling system must be set to between 10 and 36°C (WinGD specification). The ancillary plant temperature control valve can be set differently as the specific project requires, for example between 25 and 36°C.

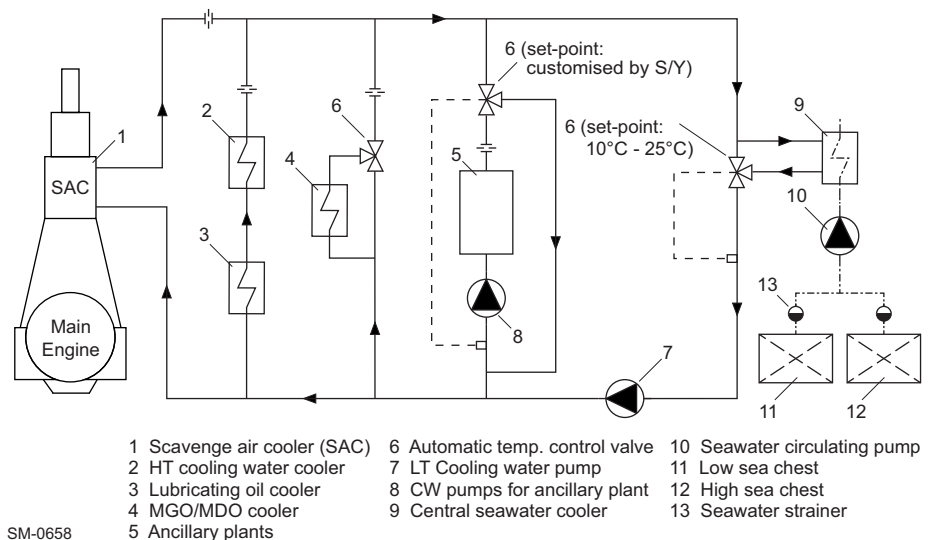


Figure 4-5 LT cooling water circuit — Dual set-point temperatures

Arrangement 3

The central freshwater cooling system is separated into two dedicated cooling circuits to better manage the varying temperature set-points. This includes:

- **Circuit 1:**
The ME SAC is cooled with freshwater with a temperature set-point of between 10 and 36°C (WinGD specification). With this arrangement, only the ME SAC requires maximum design seawater flow for cooling.
- **Circuit 2:**
All other ME and ancillary plant coolers are cooled with freshwater with a set-point customised by the shipyard or ship designer.

Figure 4-6 is a proposal only and the seawater pump and other equipment layout might be different. As such, the shipyard is free to design their own seawater system. However, the set-point temperature for the ME SAC must be between 10 and 36°C as per WinGD specifications.

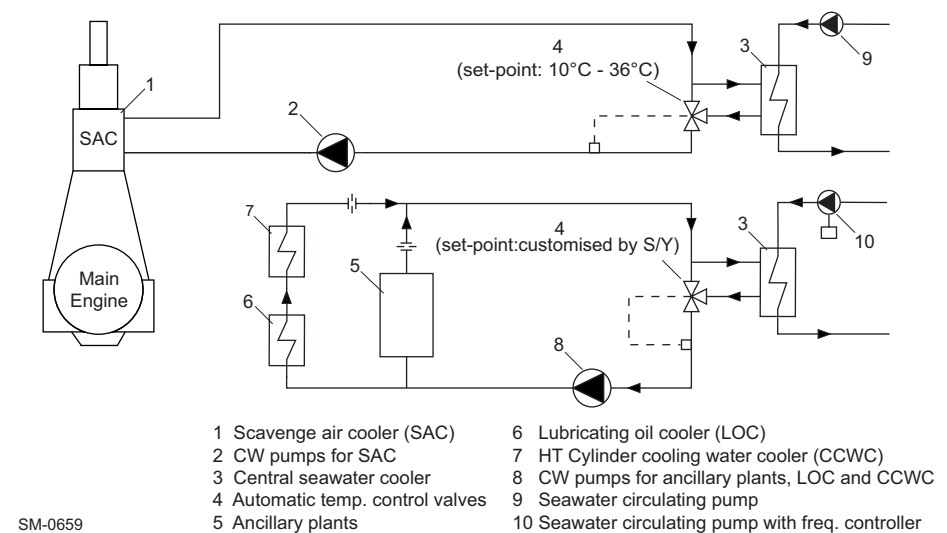


Figure 4-6 Separate SAC and LT cooling circuits

Low-temperature circuit components

Seawater circulating pump

The seawater circulating pump delivers seawater from the high and low sea chests to the central seawater cooler.

Pump type	Centrifugal
Capacity	According to <i>GTD</i> : The seawater flow capacity covers the need of the engine only and is to be within a tolerance of 0 to + 10% of the GTD value
Delivery pressure	Determined by system layout
Working temperature	According to ship specification

Seawater strainer

Simplex or duplex strainers to be fitted at each sea chest and arranged to enable manual cleaning without interrupting the flow. The strainer mesh size (max. 6 mm) must prevent the passage of large particles and debris that could damage the pumps and impair the heat transfer across the coolers.

Central seawater cooler

Cooler type	Plate or tubular
Cooling medium	Seawater
Cooled medium	Freshwater
Design criterion	Keeping max. 36 °C LT while seawater temp. is 32 °C
Margin for fouling	10-15% to be added
Heat dissipation	Refer to <i>GTD</i>
Freshwater flow	
Seawater flow	
Temperatures	

Automatic temperature control valve

As stated above, the automatic temperature control valve for the cooling water can be set between 10 and 36 °C. WinGD recommends a set-point of 25 °C, however, the shipyard can determine this with consideration of the other equipment in the central cooling system.

Valve type	Electrically or electro-pneumatically actuated three-way type (butterfly valves are not adequate) having a linear characteristic
Design pressure	5 bar
Test pressure	Refer to specification laid down by classification society
Press. drop across valve	Max. 0.5 bar
Controller	Proportional plus integral (PI)
Temperature sensor	According to control valve manufacturer's specification; fitted in engine outlet pipe

Freshwater pumps

Pump type	Centrifugal
Capacity	According to <i>GTD</i> : The freshwater flow capacity covers the need of the engine only and is to be within a tolerance of 0 to +10% of the GTD value
Delivery head	The final delivery head is determined by the layout of the system and must ensure that the inlet pressure to the scavenge air cooler(s) is within the range of summarised data
Working temperature	According to ship specification

4.2.2 High-temperature circuit

Figure 4-7 shows the basic HT cooling water circuit arrangement.

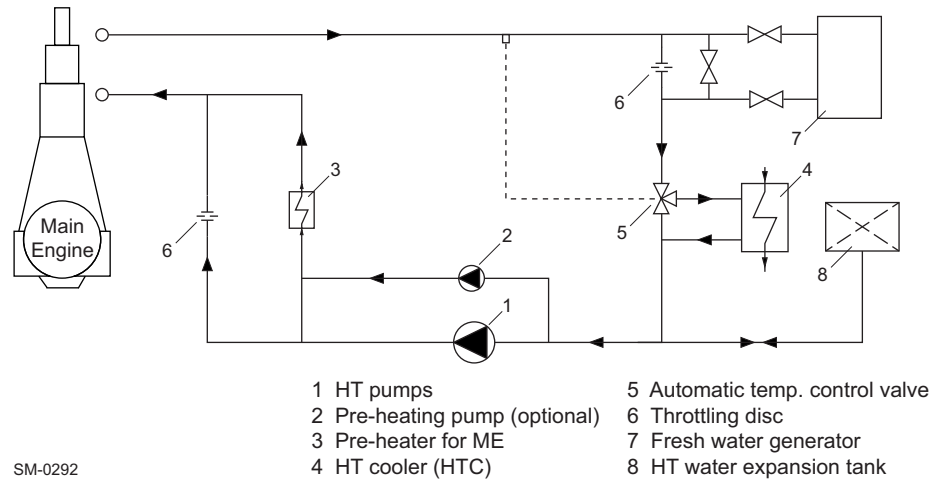


Figure 4-7 HT cooling water circuit

Air separator

An air separator is designed as an engine component and arranged upstream from the engine HT cooling water outlet connection. The air separator separates air from water and vents the air out. Removal of air from the cooling water is essential to maintain an optimal cooling effect of the engine cylinder liner.

High-temperature circuit components

Automatic temperature control valve

Valve type	Electrically or electro-pneumatically actuated three-way type (butterfly valves are not adequate) having a linear characteristic
Design pressure	5 bar
Test pressure	Refer to specification laid down by classification society
Press. drop across valve	Max. 0.5 bar
Controller	Proportional plus integral (PI), known as proportional plus reset for steady state error of max. $\pm 2^{\circ}\text{C}$ and transient condition error of max. $\pm 4^{\circ}\text{C}$
Temperature sensor	According to control valve manufacturer's specification; fitted in engine outlet pipe

HT cooling water pump

Pump type	Centrifugal, preferably with a steep head curve ^{a)}
Pump capacity	According to <i>GTD</i> : The flow capacity is to be within a tolerance of -10 to +20% of the GTD value
Delivery head ^{b)}	To be determined according to the total pressure losses (resistance) of the actual piping installation arrangement
Working temperature	95 °C

a) As a guide, the minimum advisable curve steepness can be defined as follows:
For a pressure increase from 100 to 107%, the pump capacity should not decrease by more than 10%.

b) The pump delivery head (p_p) will be:

$$p_p = p_{ei} - p_{st} + \Delta p + \frac{h}{10.2} \text{ [bar]}$$

where:

p_{ei} = pressure at engine inlet [bar]

p_{st} = static pressure* at pump inlet [bar]

Δp = pressure losses over piping between pump outlet and engine inlet [bar]

h = height difference between pump outlet and engine inlet [m]

* If an expansion tank is used, p_{st} equals the static pressure head from the change in height between expansion tank and pump inlet.

If a buffer unit is used, p_{st} equals the buffer unit pressure plus the pressure head from the change in height between buffer unit and pump inlet.

The pressure (p_{ei}) at engine inlet must be 2.0-4.0 bar(g).

To supply the cooling water system with the desired static pressure and compensate for the cooling water volume change during engine operation, WinGD proposes two possible solutions, namely installing either an expansion tank or a buffer unit.

Expansion tank

To ensure that the required static head is applied to the cylinder cooling water (CCW) system, the expansion tank is to be fitted at least 3.5 m above the highest point of the engine's cooling water piping. The tank is to be connected by a balance pipe to the CCW pump suction.

Buffer unit

The installation of a buffer unit is an alternative solution. The buffer unit has the advantage of variable static pressure settings and location flexibility. However, it does require an additional water supply pump.

Main components and functionalities of the buffer unit:

- **Control air shut-off valve** (DN15), solenoid type, controlled by the signal from the Level Switch Low (LSL). This valve is normally open but to be shut off when the signal from the LSL is triggered and water feeding is started.
- **Control air pressure regulating valve** (DN15), with pressure reduction and air release function. This valve reduces the control air pressure to the desired buffer unit pressure. It enables air to be released to maintain the pressure when the buffer unit water volume is increasing (refill or water expansion). The pressure setting of the buffer unit is targeted to ensure that the cooling water pressure at the ME inlet fulfils the WinGD specification requirement.
- **Safety valve** (DN32), to be set at approximately 0.5 bar above the buffer unit set pressure.
- **High-level switch and low-level switch:**
 - The LSL is set at approximately 35% of the total volume of the buffer unit. When the LSL is triggered, a signal is emitted simultaneously to the control air shut-off valve and the buffer unit supply pump to start.
 - The Level Switch High (LSH) is set at approximately 65% of the total volume of the buffer unit. When the LSH is triggered, a signal is emitted to stop the buffer unit supply pump.
 - The volume difference between the LSH and the LSL must not be less than 150 litres.
- **LAH and LAL**, high-level alarm and low-level alarm:
 - The LAH must be set at approximately 70% of the total volume of the buffer unit.
 - The LAL must be set at approximately 30% of the total volume of the buffer unit.

Buffer unit supply pump

The buffer unit supply pump compensates for losses in the CCW system. This pump is automatically controlled by the water level in the buffer unit. It is also advisable to monitor the running period of the supply pump. Monitoring of the pump running period will warn when the running period exceeds a pre-set value, indicating unusual water losses in the system. Spare parts for the supply pump must be available according to classification societies' requirements.

Pump type	Centrifugal or positive displacement
Capacity	0.5 m ³ /h
Delivery head	4 bar (can be adjusted depending on project-specific design)

4.2.3 Pre-heating

To prevent corrosive liner wear when not in service or during short stays in port, it is important that the ME is kept warm. Warming-through can be provided by a dedicated heater, using boiler raised steam or hot water from the diesel auxiliaries, or by direct circulation from the diesel auxiliaries.

Pre-heating from cooling water systems

If the requirement for warming-up is from the cooling water systems of the diesel auxiliaries, it is essential that the amount of heat available at normal load is sufficient to warm the main engine.

If the main and auxiliary engines have a cooling water system which can be cross-connected, it has to be ensured that, when the cross-connection is made, any pressure drop across the main engine does not affect the cooling water pressure required by the auxiliaries.

If the cooling water systems are apart, then a dedicated heat exchanger is required to transfer the heat to the main CCW system.

Pre-heating by direct water circulation

Use of main cylinder cooling water pump

If the main CCW pump is used to circulate water through the engine during pre-heating, then the heater is to be arranged parallel with the CCW system, and on/off control is to be provided by a dedicated temperature sensor at the CCW outlet of the engine. The flow through the heater is set by throttling discs, but not by valves.

Use of separate pre-heating pump

If the requirement is for a separate pre-heating pump, a small unit with 10% of the main pump capacity and an additional non-return valve between CCW pump and heater are to be installed. In addition, the pumps are to be electrically interlocked to prevent two pumps running at the same time.

Recommended temperature

The recommended temperature to start and operate the engine is 60°C at CCW outlet. If the engine is started below the recommended temperature, engine power must not exceed 80% of CMCR until the water temperature has reached 60°C.

The ambient engine room temperature and warm-up time are key parameters to estimate the heater power capacity required to achieve the target temperature of 60°C. The shipyard or ship designer should determine the ambient engine room temperature and the warm-up time (which may also be specified by the ship owner) on the basis of their own experience.

Warm-up time

The graph in [Figure 4-8](#), [4-15](#) shows the warm-up time needed in relation to the ambient engine room temperature to arrive at the heat amount required per cylinder. The graph covers the warming-up of engine components per cylinder, taking also the radiation heat into account.

The readable figure is then multiplied by the number of cylinders to show the heater capacity required for the engine.

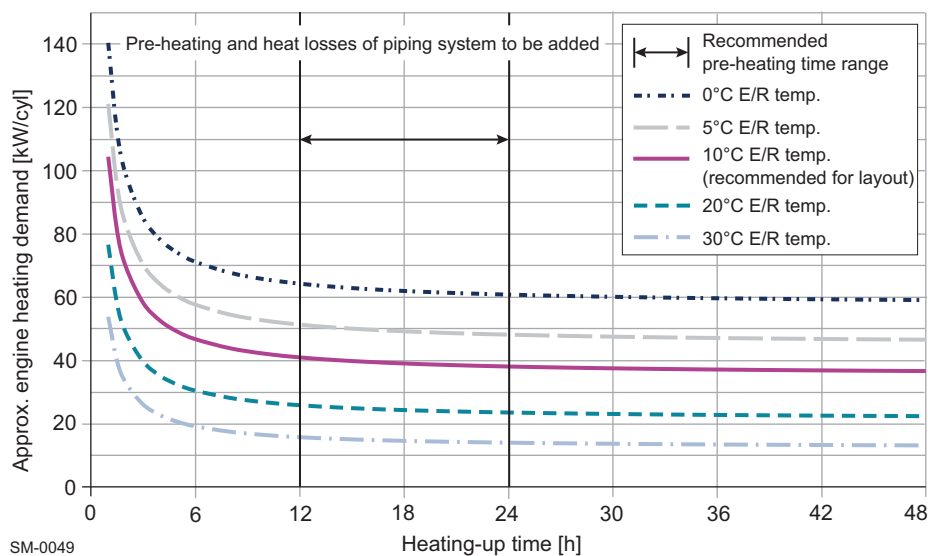


Figure 4-8 Pre-heating power requirement per cylinder

All figures are related to requirements of the engine and should only be used for a first concept layout of the heater capacity. However, during pre-heater selection the shipyard or ship designer must also consider further aspects such as heat losses in the external piping system, water volume inside the system, pipe lengths, volume of ancillary equipment, etc.

4.2.4 Freshwater generator

A freshwater generator, using heat from the cylinder cooling system to distil seawater, can be used to meet the demand for washing and potable water. The capacity of the freshwater generator is limited by the amount of heat available, which in turn is dependent on the service power rating of the engine.

NOTE

It is crucial in the design stage to ensure that there are sufficient safeguards to protect the main engine from thermal shock when the freshwater generator is started. To reduce such a risk, it is recommended to use valves (for instance butterfly valves), which are linked and actuated with a large reduction ratio, at the freshwater generator inlet and in the bypass line.



The latest version of the **Concept Guidance** for freshwater generator installation (DG 9721) is provided on the WinGD webpage under the following link:

[Freshwater generator installation](#)

4.2.5 Cooling water treatment

Correct treatment of the low- and high-temperature cooling water is essential for safe engine operation. Demineralised water or condensate according to the specifications in [Table 4-2](#) must be used as raw water. In the event of an emergency, tap water may be used for a limited period, but afterwards the entire cylinder cooling water system must be drained off, flushed, and recharged with demineralised water.

Table 4-2 Recommended parameters for raw water

Parameter	Value
pH at 20 °C	6.5 to 8.5
Max. dH	10° (corresponds to 180 mg/l CaCO ₃) ^{a)}
Max. chloride	80 mg/l
Max. sulphates	150 mg/l

a) In the case of higher values the water must be softened.

NOTE

Raw water from reverse osmosis technologies requires a minimum pH value of 6.0.

Corrosion inhibitors

In addition, the water used must be treated with a suitable corrosion inhibitor to prevent corrosive attack, sludge formation and scale deposits (for details refer to the chemical supply companies). Monitoring the level of the corrosion inhibitor and water softness is essential to prevent down-times due to component failures resulting from corrosion or impaired heat transfer.

NOTE

No internally galvanised steel pipes should be used in connection with treated freshwater, since most corrosion inhibitors have a nitrite base. Nitrites attack the zinc lining of galvanised piping and create sludge.



For further information about permissible cooling water additives please refer to the document **Cooling water and additives**, which is provided on the WinGD webpage under the following link:

[*Cooling water and additives*](#)

4.2.6 General recommendations for the cooling water system design

- The number of valves in the system must be kept to a minimum to reduce the risk of incorrect setting.
- Valves are to be locked in the set position and labelled to eliminate incorrect handling.
- After the system commissioning is completed, it is prohibited to manually interfere with the cooling water flow in different branches of the ME cooling water system by adjusting the valves or the orifice.
- Under normal operation of the cylinder cooling water system, the pump delivery head and the total flow rate are to remain constant, even when the freshwater generator is started up or shut down.
- The cylinder cooling water system is to be totally separated from steam systems. Under no circumstances must there be any possibility of steam entering the cylinder cooling water system, e.g. via a freshwater generator.
- The installation of equipment affecting the controlled temperature of cylinder cooling water (CCW) is to be examined carefully before being added. Uncontrolled increases or decreases in CCW temperature may lead to thermal shock of engine components and scuffing of pistons. Thermal shock is to be avoided, and the temperature gradient of the cooling water when starting and shutting down additional equipment is not to exceed two degrees per minute (2°C/min) at engine inlet.
- The design pressure and temperature of all the component parts such as pipes, valves, expansion tank, fittings, etc. are to meet the requirements of the classification society.

4.3 Lubricating oil systems



The latest version of the **Marine Installation Drawing Set** relevant for the lubricating oil system (DG 9722) is provided on the WinGD webpage under the following link:

[MIDS](#)

4.3.1 Lubricating oil requirements

The validated lubricating oils were selected in co-operation with the oil suppliers. In their respective product lines the products are considered as appropriate lubricants for the application indicated.

WinGD does not accept any liability for the quality of the supplied lubricating oil or its performance in actual service.



The validated cylinder and system oils are published in the document **Lubricants** provided on the WinGD webpage under the following link:

[Lubricants](#)

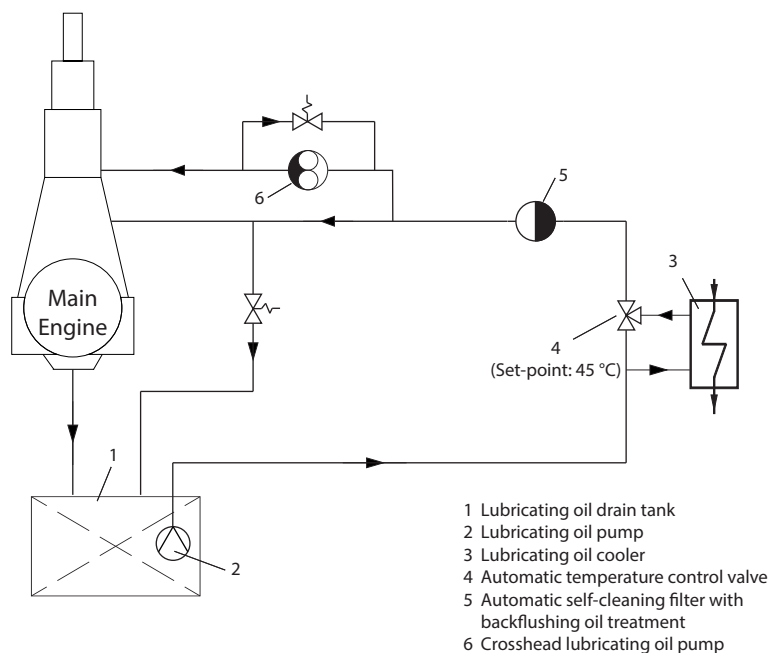
4.3.2 Main lubricating oil system

Field of application

Lubrication of the main bearings, thrust bearings and bottom-end bearings is carried out by the main lubricating oil system. The main lubricating oil system also operates the cooling of the piston crown with the efficient jet-shaker principle and the lubrication and cooling of the torsional and axial vibration dampers. [Figure 4-9](#) shows the general installation principle.

Lubrication of crosshead bearings

The crosshead bearings are lubricated by an additional crosshead pump (specification see [Booster pump for crosshead lubrication](#), [4-20](#)).



SM-0205

Figure 4-9 Lubricating oil system

*Main lubricating oil system components***Lubricating oil pump**

Positive displacement screw pumps with built-in safety valves, or centrifugal pumps (for pump capacities refer to *GTD*):

Type: Positive displacement screw pump	The flow rate is to be within a tolerance of 0 to + 10 % of the GTD value, plus: - back-flushing flow of automatic self-cleaning filter, if such filter is installed - oil flow to torsional vibration damper, if such damper is installed
Type: Centrifugal pump	The flow rate is to be within a tolerance of - 10 to + 10 % of the GTD value, plus: - back-flushing flow of automatic self-cleaning filter, if such filter is installed - oil flow to torsional vibration damper, if such damper is installed
Delivery head	The final delivery head to be determined is subject to the actual piping layout.
Working temperature	60 °C
Oil type	SAE30, 50cSt at working temperature; when sizing the pump motor the maximum viscosity to be allowed for is 400 cSt.

Lubricating oil cooler

Type	Plate or tubular
Cooling medium	Freshwater
Cooling water flow	Refer to <i>GTD</i> .
Cooling water temperature	36 °C
Heat dissipation	Refer to <i>GTD</i> .
Margin for fouling	10-15 % to be added
Oil flow	Refer to <i>GTD</i> .
Oil viscosity at cooler inlet	50 cSt at 60 °C
Oil temperature at inlet	Approx. 60 °C
Oil temperature at outlet	45 °C
Working pressure oil side	6 bar
Working pressure water side	Approx. 3 bar

Full-flow filter

The drain from the filter is to be sized and fitted to allow free flow into the lubricating oil drain tank.

The output required for the main lubricating oil pump to 'back-flush' the filter without interrupting the flow is to be taken into account when estimating the pump capacity (see [Lubricating oil pump](#), § 4-19).

Type ^{a)}	Automatic back-flushing filter with differential pressure gauge and high-differential pressure alarm contacts. Designed to clean itself automatically using reverse flow or compressed air techniques. Back-flushing oil treatment required.
Oil flow	Refer to GTD .
Working viscosity	95 cSt, at working temperature
Working pressure	6 bar
Test pressure	Specified by classification society
Diff. pressure, clean filter	Max. 0.2 bar
Diff. pressure, dirty filter	Max. 0.6 bar
Diff. pressure, alarm	Max. 0.8 bar Note: Real operational settings could be less according to filter maker's recommendation.
Mesh size	Sphere passing max. 0.035 mm
Filter material	Stainless steel mesh
Filter inserts bursting press.	Max. 3 bar differential across filter

a) Optional: change-over duplex filter designed for in-service cleaning, with differential pressure gauge and high-differential pressure alarm contacts

Booster pump for crosshead lubrication

Type	Positive displacement screw or gear types with built-in safety valves
Capacity	According to GTD : The flow rate is to be within a tolerance of 0 to 10% of the GTD value.
Delivery head	Refer to GTD .
Working temperature	Approx. 45°C
Oil type	SAE 30, 95 cSt at working temperature; when sizing the pump motor the maximum viscosity to be allowed for is 400 cSt.

System oil

The pistons of the WinGD X72-B engine feature highly efficient jet-shaker cooling. A validated system oil must be selected which fulfils the following basic properties:

- Additive-type oil
- A viscosity of SAE 30
- Minimum Base Number (BN)¹⁾ of 5.0 mg KOH/g
- Minimum failure load stage of 11 ± 1 related to the FZG gear oil test method A/8.3/90 according to ISO 14635-1²⁾
- Detergency properties
- Thermal stability
- Anti-corrosion properties
- Anti-foam properties
- Demulsifying performance

The consumption of system oil is given in [Table 1-3](#), [1-4](#).



The validated system oils which can be used for this purpose can be found in the document **Validated engine oils for WinGD engines** which is provided on the WinGD webpage under the following link:

[Validated engine oils for WinGD engines](#)



The system oil must be used according to the document **Lubricants** which is provided on the WinGD webpage under the following link:

[Lubricants](#)

4.3.3 Flushing the lubricating oil system



For flushing of the lubricating oil system refer to the latest version of the relevant **Instruction** (DG 9722), which is provided on the WinGD webpage under the following link:

[Instruction for flushing - Lubricating oil system](#)

4.3.4 Lubrication for turbochargers

As a standard, turbochargers are lubricated by the engine's system oil.

An external lubrication system for turbochargers is available as an option, which may use a different lubricating oil according to the turbocharger maker's specifications. The external lubrication system requires an additional storage tank, a lubrication pump, a fine filter and an oil cooler. For further details, please refer to the latest version of the MIDS for the lubricating oil system (DG 9722), [4-18](#).

1) The Base Number (BN), measured in mg KOH/g (test method ASTM D2896), is a measure of the alkalinity of the oil. The BN of the cylinder oil is not an index for detergency or for other properties of the cylinder oil.

2) The FZG gear machines located at the FZG Institute, Munich/Germany are the reference test apparatuses and must be used in the event of any uncertainty about test repeatability and reproducibility.

4.3.5 Cylinder lubricating oil system

Cylinder lubrication is carried out by a separate system, working with the once-through principle. A hydraulically actuated dosage pump feeds cylinder lubricating oil to the surface of the cylinder liner through quills in the liner. The oil feed rate is adjustable and set based on the piston underside drain oil analysis results.

For cylinder lubricating oil consumption refer to [Table 1-3](#), [1-4](#).

Cylinder lubricating oil

For normal operating conditions, a high-alkaline marine cylinder lubricating oil with a viscosity of SAE 50 and a minimum kinematic viscosity of 18.5 cSt (mm²/s) at 100 °C is recommended. The alkalinity of the oil is indicated by its BN.

Base number of cylinder lubricating oil

The BN of the cylinder lubricating oil must be selected depending on the total sulphur content of the fuel being burned.

Alternatives to a finished cylinder lubricating oil

The cylinder lubricating oil can also be blended/mixed on board. Multiple concepts for blending/mixing cylinder oil on board are available.

Another solution to have the required BN value available is to mix cylinder lubricating oils of different BN values.



The validated cylinder lubricating oils which can be used for this purpose can be found in the document **Validated engine oils for WinGD engines** which is provided on the WinGD webpage under the following link:

[*Validated engine oils for WinGD engines*](#)



The cylinder oil must be used according to the document **Lubricants** which is provided on the WinGD webpage under the following link:

[*Lubricants*](#)

Service tank and storage tank

The arrangement of the service tank and storage tank can be changed by locating the storage tank in place of the service tank. If this arrangement is preferred, the storage tank must be placed at the same height as the service tank to provide the required static pressure at the engine inlet. Furthermore, the storage tank must be of similar design, with a sloping floor.

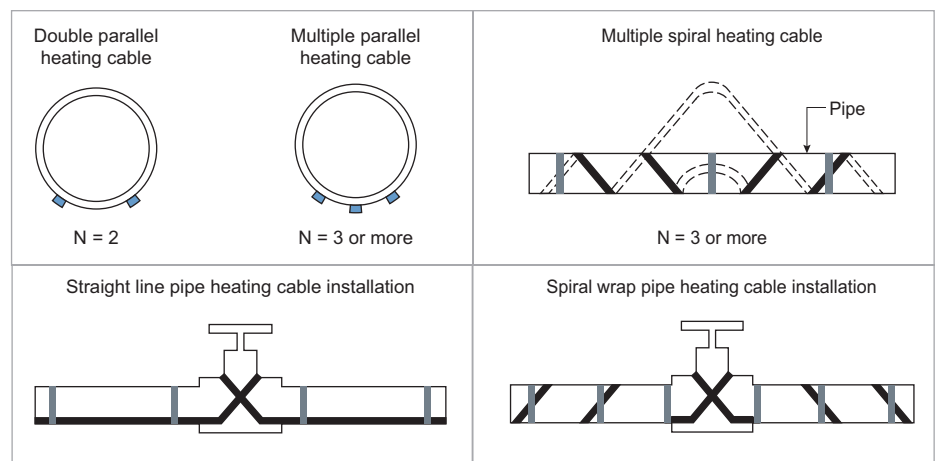
Electrical trace heating for ship side cylinder lubricating oil piping

To ensure the correct cylinder lubricating oil temperature at the engine inlet ($40 + 10 / - 5^{\circ}\text{C}$), electrical trace heating is recommended to be applied. The ME provides cabinet control box E86 for the heating cable connection and power supply. The heating cable together with the plug can be directly ordered from the engine maker. The guided heating cable length is determined by the cylinder LO pipe length and the engine type (see [Table 4-3](#)).

NOTE On the engine side, electrical trace heating is applied in the rail unit to keep the cylinder lubricating oil within the required temperature range.

Cylinder LO trace heating cable

WinGD specifies the 10QTVR2-CT self-regulating heating cable for the engine side and ship side cylinder LO piping. Detailed technical information about this cable can be found in [MIDS](#). To reach the required LO temperature of $40 + 10 / - 5^{\circ}\text{C}$, the proper length of heating cable must be selected for the engine and traced along the ship side piping spirally or in parallel, depending on the cable/pipe ratio (see [Figure 4-10](#)).



SM-0412

Figure 4-10 Trace heating cable arrangement

Considering the ME power, LO feed rate and environment condition, WinGD specifies a minimum heating cable length 'Lc' as listed in the following table:

Table 4-3 Heating cable specification

No. of cyl.	Min. heating cable length 'Lc' [m]
5	17
6	21
7	24
8	27

Considering the ship side cylinder LO pipe length 'Lp', the heating cable must be longer than the lubricating oil pipe, i.e. 'Lc' > 'Lp'.

**Insulation of trace heated
cylinder LO pipe**

To maintain the desired temperature, the ship side cylinder LO pipe must be well insulated. The following requirements must be considered:

- Insulation material such as mineral wool, glass fibre, or other material of class approved type can be applied.
- WinGD recommends an insulation thickness of minimum 25 mm.

4.3.6 Maintenance and treatment of lubricating oil

It is essential that engine lubricating oil is kept as clean as possible. Water and solid contaminants held in suspension are to be removed using centrifugal separators which operate in bypass to the engine lubricating system.

Great care has to be taken of the separators and filters to ensure that they work correctly. The separators are to be set up as purifiers and completely isolated from the fuel oil treatment systems; there must be no possibility of cross-contamination.

Lubricating oil separator

Type	Self-cleaning centrifugal separator
Min. throughput capacity [l/h]	Refer to <i>GTD</i> .
Rated separator capacity	The rated or nominal capacity of the separator is to be according to the separator manufacturer's recommendations.
Separation temperature	90-95 °C; refer to manufacturer's instructions.

Lubricating oil samples

To ensure that representative samples of lubricating oil can be taken, dedicated sampling points (cocks) are provided on engine side. Such cocks need also to be installed on system side according to the relevant system proposal drawing in *MIDS*.

4.3.7 Drain tank

The engine is designed to operate with a dry sump: the oil returns from the bearings, flows to the bottom of the crankcase and through strainers into the lubricating oil drain tank. The drain connections from the crankcase to the drain tank are arranged vertically.

The drain tank is to be located beneath the engine and equipped with the following:

- Depth sounding pipe
- Pipe connections for lubricating oil purifiers
- Heating coil adjacent to pump suction
- Air vents with flame protection

NOTE	<p>The classification societies require that all drain pipes from the crankcase to the drain tank are taken as low as possible below the free surface of the oil to prevent aeration and foaming; they have to remain below the oil surface at all times. Strict attention has to be paid to this specification.</p>
-------------	---

There is to maintain adequate drainage under sea conditions resulting in pitching and rolling. The amount of lubricating oil required for an initial charge of the drain tank is indicated in Figure 4-11. The total tank size is normally 5-10% greater than the amount of lubricating oil required for an initial filling.

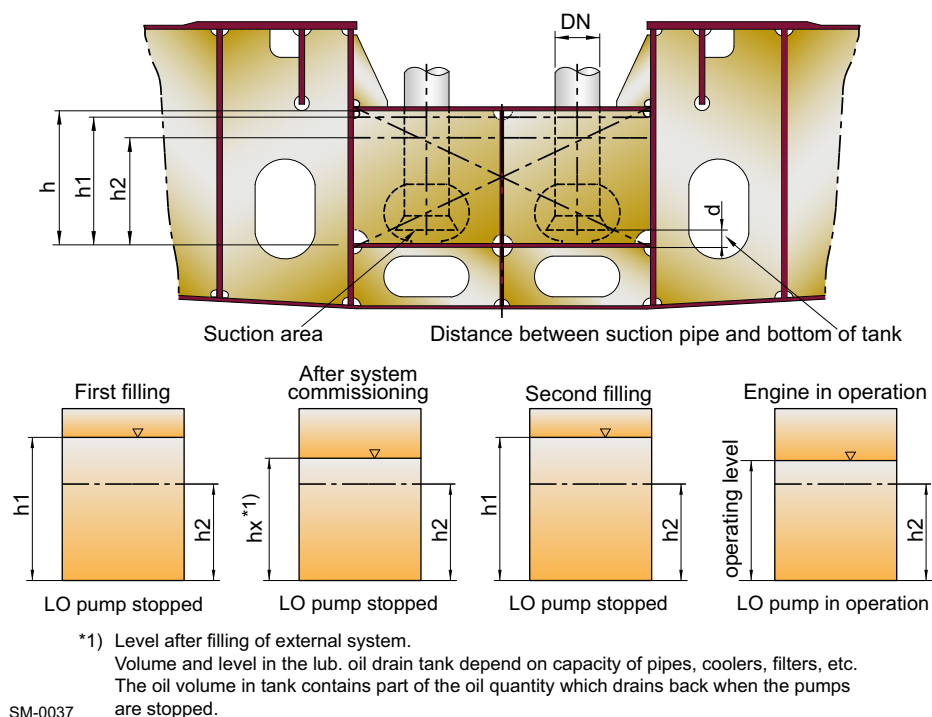
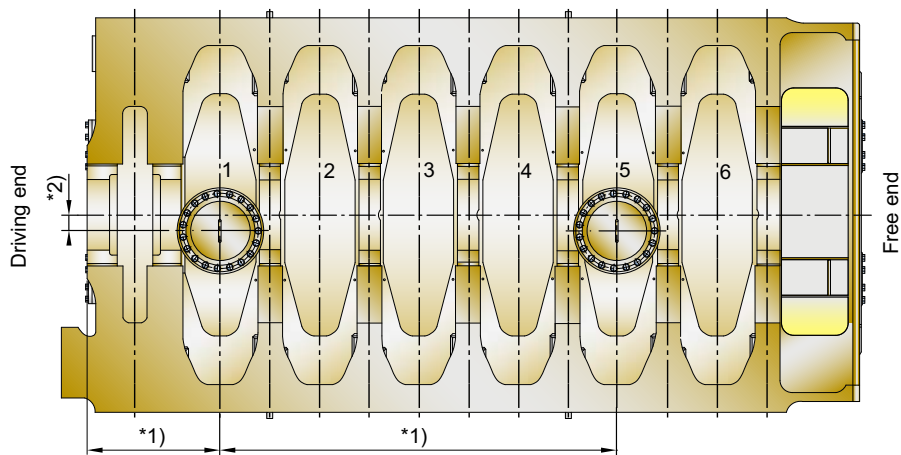


Figure 4-11 Dimensioning and filling process of lubricating oil drain tank

Arrangement of vertical lubricating oil drains



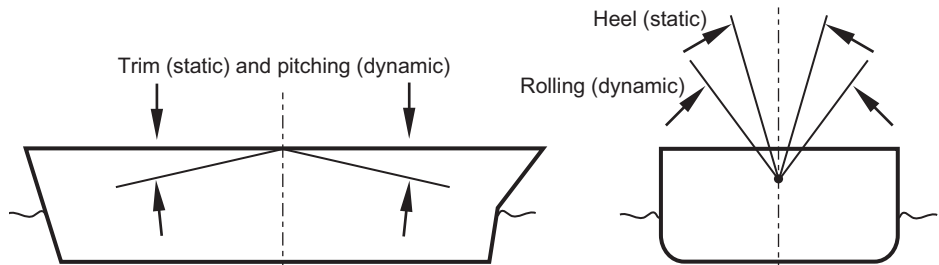
- *1) Proposal to determine final position in accordance with shipyard
- *2) Alternatively the oil drains may also be arranged symmetrically on port/fuel pump side.

SM-0038

Figure 4-12 Arrangement of vertical lubricating oil drains for 6-cylinder engines

NOTE	<p>The illustration above does not necessarily represent the actual configuration or the stage of development, nor the type of the engine concerned.</p> <p>For all relevant and prevailing information see MIDS drawings, 4-18.</p>
-------------	--

Inclination angles



SM-0065

Athwartships and fore-and-aft inclinations may occur simultaneously.

NOTE

The data in the following tables represent the state of data as of the year 2023 and earlier. To obtain the latest data please contact the relevant classification society.

Table 4-4 Minimum inclination angles for full operability of the engine (1)

Classification societies (overview see Appendix, Table 9-1, 9-1)				
Year of latest update by Class	ABS 2022	BV 2022	CCS 2022	CRS 2020
Main and auxiliary engine				
Abbreviation	4/1/1/7.9	C/1/1/2.4	3/1/2/1.2.1	7/1/1.6/1.6.2
Heel to each side	15°	15°	15°	15°
Rolling to each side	22.5°	22.5°	22.5°	22.5°
Trim by the head ^{a)}	5°	5°	5°	5°
Trim by the stern ^{a)}	5°	5°	5°	5°
Pitching	±7.5°	±7.5°	±7.5°	±7.5°
Emergency sets				
Abbreviation	4/1/1/7.9	C/1/1/2.4	3/1/2/1.2.1	7/1/1.6/1.6.2
Heel to each side	22.5° ^{c)}	22.5°	22.5° ^{c)}	22.5° ^{c)}
Rolling to each side	22.5° ^{c)}	22.5°	22.5° ^{c)}	22.5° ^{c)}
Trim	10°	10°	10°	10°
Pitching	±10°	±10°	±10°	±10°
Electrical installation				
Abbreviation	4/1/1/7.9	C/1/1/2.4	4/1/2/1.2.1	7/1/1.6/1.6.2
Heel to each side	22.5° ^{b)}	22.5° ^{b) c)}	15° ^{c)}	22.5° ^{b)}
Rolling to each side	22.5° ^{b)}	22.5° ^{b) c)}	22.5° ^{c)}	22.5° ^{b)}
Trim	10°	10° ^{b)}	5°	10° ^{b)}
Pitching	±10°	±10° ^{b)}	±7.5°	±10° ^{b)}
<p>a) Where the ship's length exceeds 100m, the fore-and-aft static angle of inclination may be taken as 500/L degrees. (where L = length of ship in metres)</p> <p>b) Up to an inclination angle of 45 degrees, switches and controls are to remain in their last set position as no undesired switching operations or operational changes may occur.</p> <p>c) For ships carrying liquefied gases or chemicals the arrangement is to be such that the emergency power supply also remains operable with the ship flooded to a final athwartships inclination up to 30 degrees.</p>				

Table 4-5 Minimum inclination angles for full operability of the engine (2)

Classification societies (overview see Appendix, Table 9-1, 9-1)			
Year of latest update by Class	DNV 2022	IRS 2022	KR 2022
Main and auxiliary engine			
Abbreviation	4/1/3/2.2/2.2.1	4/1/1/1.7/1.7.1	5/1/103./1.
Heel to each side	15°	15°	15°
Rolling to each side	22.5°	22.5°	22.5°
Trim by the head ^{a)}	5°	5°	5°
Trim by the stern ^{a)}	5°	5°	5°
Pitching	±7.5°	±7.5°	±7.5°
Emergency sets			
Abbreviation	4/1/3/2.2/2.2.1	4/1/1/1.7/1.7.1	5/1/103./1.
Heel to each side	22.5° ^{c)}	22.5° ^{c)}	22.5° ^{c)}
Rolling to each side	22.5° ^{c)}	22.5° ^{c)}	22.5° ^{c)}
Trim	10° ^{a)}	10°	10°
Pitching	±10°	±10°	±10°
Electrical installation			
Abbreviation	4/1/3/2.2/2.2.1	4/1/1/1.7/1.7.1	5/1/103./1.
Heel to each side	22.5° ^{b) c)}	22.5° ^{b) c)}	22.5° ^{b) c)}
Rolling to each side	22.5° ^{b) c)}	22.5° ^{b) c)}	22.5° ^{b) c)}
Trim	10° ^{a) b)}	10° ^{b)}	10° ^{b)}
Pitching	±10° ^{b)}	±10° ^{b)}	±10° ^{b)}
<p>a) Where the ship's length exceeds 100m, the fore-and-aft static angle of inclination may be taken as 500/L degrees. (where L = length of ship in metres)</p> <p>b) Up to an inclination angle of 45 degrees, switches and controls are to remain in their last set position as no undesired switching operations or operational changes may occur.</p> <p>c) For ships carrying liquefied gases or chemicals the arrangement is to be such that the emergency power supply also remains operable with the ship flooded to a final athwartships inclination up to 30 degrees.</p>			

Table 4-6 Minimum inclination angles for full operability of the engine (3)

Classification societies (overview see Appendix, Table 9-1, 9-1)					
Year of latest update by Class	LR 2021	NK 2021	PRS 2022	RINA 2022	RS 2022
Main and auxiliary engine					
Abbreviation	5/1/3/3.7	D/1.3.1/6	VI/1/1.6.1	C/1/1/2.4	VII/2/2.3
Heel to each side	15°	15°	15°	15°	15°
Rolling to each side	22.5°	22.5°	22.5°	22.5°	22.5°
Trim by the head ^{a)}	5°	5°	5°	5°	5°
Trim by the stern ^{a)}	5°	5°	5°	5°	5°
Pitching	±7.5°	±7.5°	±7.5°	±7.5°	±7.5°
Emergency sets					
Abbreviation	5/1/3/3.7	D/1.3.1/6	VI/1/1.6.1	C/1/1/2.4	VII/2/2.3
Heel to each side	22.5° ^{c)}	22.5° ^{b) c)}	22.5° ^{c)}	22.5° ^{c)}	22.5° ^{c)}
Rolling to each side	22.5° ^{c)}	22.5° ^{b) c)}	22.5° ^{c)}	22.5° ^{c)}	22.5° ^{c)}
Trim	10°	10° ^{b)}	10°	10°	10°
Pitching	±10°	±10° ^{b)}	±10°	±10°	±10°
Electrical installation					
Abbreviation	6/2/1/1.10	H/1/1.1.7	VIII/2/2.1.2.2	C/2/2/1.6	XI/2/2.1.2.2
Heel to each side	15°	15° ^{c)}	15°	22.5° ^{b)}	15° ^{c)}
Rolling to each side	22.5°	22.5° ^{c)}	22.5°	22.5° ^{b)}	22.5° ^{c)}
Trim	5° ^{a)}	5° ^{a)}	5°	10° ^{b)}	5° ^{c)}
Pitching	±7.5°	±7.5°	±10°	±10° ^{b)}	±10° ^{c)}
<p>a) Where the ship's length exceeds 100m, the fore-and-aft static angle of inclination may be taken as 500/L degrees. (where L = length of ship in metres)</p> <p>b) Up to an inclination angle of 45 degrees, switches and controls are to remain in their last set position as no undesired switching operations or operational changes may occur.</p> <p>c) For ships carrying liquefied gases or chemicals the arrangement is to be such that the emergency power supply also remains operable with the ship flooded to a final athwartships inclination up to 30 degrees.</p>					

4.4 Fuel oil system



The latest version of the **Marine Installation Drawing Set** relevant for the fuel oil system (DG 9723) is provided on the WinGD webpage under the following link:

[MIDS](#)

Figure 4-13 shows the installation principle for maximum fuel flexibility.

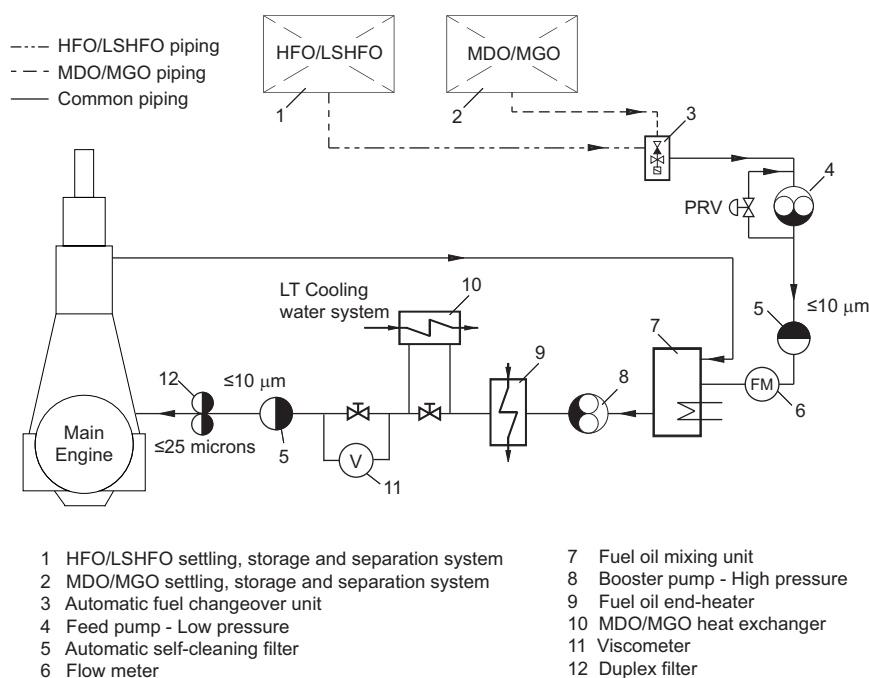


Figure 4-13 Fuel oil system



Further information about MDO/MGO fuels is available in the separate **Concept Guidance** (DG 9723). This considers additional design options for the fuel oil system, as well as optional heat exchangers for better viscosity regulation when changing between HFO/LSHFO and MDO/MGO.

This is provided on the WinGD webpage under the following link:

[Concept Guidance Distillate Fuels](#)

Fuel consumption

Data of fuel consumption should be taken from the project-specific *GTD* data sheet.

4.4.1 Fuel oil system components

The following components are associated with a fuel oil system of maximum fuel flexibility, i.e. operation on heavy fuel oils and distillates, as indicated in Figure 4-13. Therefore, the following section considers a fuel oil viscosity of 700 cSt at 50 °C.

Feed pump — Low-pressure fuel oil

Type	Positive displacement screw pump with built-in safety valve
Capacity	According to <i>GTD</i> : The capacity is to be within a tolerance of 0 to +20 % of the GTD value, plus back-flushing flow of automatic self-cleaning filter, if such filter is installed.
Delivery pressure	The feed pump must provide a required pressure in the downstream mixing unit to prevent water in the system from vaporising into steam. The pump, whilst considering system pressure drop, must provide a minimum of 1 bar above the water vapour pressure and always be above a 3 bar value. The water vapour pressure is a result of the system temperature and pressure for a given fuel type. Heavier oils need more heat and higher temperatures to maintain them at the correct viscosity compared to lighter oils. (Refer to the formula and example below.)
Electric motor	The electric motor driving the fuel oil feed pump shall be sized for the maximum pressure head (difference between inlet and outlet pressure), maximum fuel oil viscosity (100 cSt), and the maximum required flow.
Working temp.	Below 100 °C
Fuel oil viscosity	Depending on the fuel oil system's heat control, viscosity at working temperature will often differ. It will not be more than 100 cSt, however can be considerably less (as low as 2 cSt with lower viscosity fuel like MDO/MGO or possibly LSHFO, see viscosity-temperature diagram - Figure 4-18 , 4-46). The manufacturer's specification must comply with the fuel viscosity range. For system options with additional temperature regulation, see Concept Guidance Distillate Fuels .

Formula for delivery gauge pressure

$$p_v + 1 + \Delta p_1 + \Delta p_2 \text{ [bar]}$$

where:

p_v = water vapour gauge pressure at the required system temp. [bar]
(see viscosity-temperature diagram in section [4.4.6](#), [4-46](#))

Δp_1 = max. pressure losses between feed pumps and mixing unit [bar]

Δp_2 = max. pressure change difference across the pressure regulating valve of the feed system between min. and max. flow
(see [Pressure regulating valve](#), [4-33](#))

Example

HFO of 700 cSt at 50 °C, required system temperature 145 °C:

$$p_v \text{ } = 3.2 \text{ bar}$$

$$\Delta p_1 \text{ } = 0.5 \text{ bar}$$

$$\Delta p_2 \text{ } = 0.6 \text{ bar}$$

Delivery gauge pressure = 3.2 + 1 + 0.5 + 0.6 = 5.3 bar

Pressure regulating valve

The pressure regulating valve returns the excess fuel oil that is not required by the main engine, recirculating more when the engine is at lower power. To avoid heating-up of the fuel by recirculation, the return pipe is designed with cooling ribs.

It also works to ensure that the pressure downstream of the low-pressure feed pump remains 1 bar above the evaporation pressure of the water and there prevents entrained water within the fuel oil system from flashing off into steam.

The pressure regulating valve should have a flat steady-state characteristic across the fuel oil recirculation flow range.

Type	Self-operated or pilot-operated, with a manual emergency control. Either direct hydraulically or pneumatically actuated. However, when using a pneumatically actuated valve, use a combined spring type to close the valve in case of air supply failure.
Maximum capacity	According to <i>GTD</i> : Refer to feed pump capacity.
Minimum capacity	Approx. 20 % of that of the fuel oil feed pump
Service pressure	Max. 10 bar
Pressure setting range	2-6 bar
Inlet pressure change	The inlet pressure may vary by up to 0.8bar depending on the flow in the range of 20 % to 100 %.
Working temperature	Below 100 °C
Fuel oil viscosity	Depending on the fuel oil system's heat control, viscosity at working temperature will often differ. It will not be more than 100cSt, however can be considerably less (as low as 2cSt with lower viscosity fuel like MDO/MGO or possibly LSHFO, see viscosity-temperature diagram - Figure 4-18 , 4-46). The manufacturer's specification must comply with the fuel viscosity range. For system options with additional temperature regulation, see Concept Guidance Distillate Fuels .

Mixing unit

The mixing unit equalises the temperature between the hotter fuel oil returning from the engine and the colder fuel oil from the service tank. The temperature difference between these sources is particularly high when changing over from HFO to MDO/MGO and vice versa.

Due to the small amount of fuel consumed, especially in part-load operation, only a small mixing unit is required. It is recommended that the tank contains no more than approx. 100 litres. This is to avoid the changeover from HFO to MDO/MGO or vice versa taking too long.



For changing over between heavy fuel oil and marine diesel oil (MDO/MGO) and vice versa, as well as for operation on distillate fuel, refer to the separate **Concept Guidance** (DG 9723), which is provided on the WinGD webpage under the following link:

[Concept Guidance Distillate Fuels](#)

Type	Cylindrical steel fabricated pressure vessel as shown in Figure 4-14
Capacity	Refer to <i>GTD</i> .
Dimensions	See <i>MIDS</i> .
Service pressure	10bar
Test pressure	According to classification society
Working temperature	Up to 150 °C

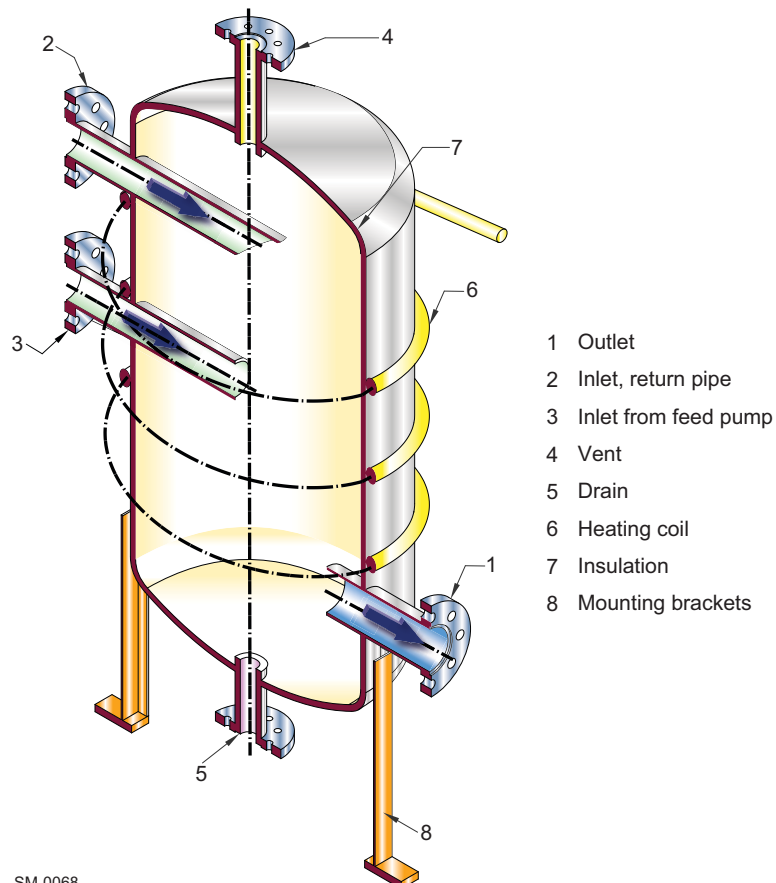


Figure 4-14 Mixing unit

Booster pump — High-pressure fuel oil

The fuel oil booster pump delivers the fuel to the engine via a fuel oil end-heater for HFO operation.

Type	Positive displacement screw pump with built-in safety valve
Capacity	According to <i>GTD</i> : The flow rate is to be within a tolerance of 0 to +20% of the GTD value, plus back-flushing flow of automatic self-cleaning filter, if such filter is installed.
Inlet pressure	Up to 6 bar
Delivery head	Final delivery pressure according to actual piping layout. Refer to <i>GTD</i> .
Electric motor	The electric motor driving the HP booster pump shall be sized large enough for the power absorbed by the pump at maximum pressure head (difference between inlet and outlet pressure), maximum fuel oil viscosity (70 cSt), and the required flow.
Working temperature	Up to 150 °C

End-heater

Operation is regulated with either the temperature or the viscosity (default mode) of the fuel oil. The viscosity is measured by the viscometer.

Type	Tubular or plate type heat exchanger, suitable for heavy oils up to 700 cSt at 50 °C (or as project is defined)
Heating source	Steam, electricity, or thermal oil
Consumption of saturated steam	At 7 bar gauge pressure [kg/h]: $1.32 \cdot 10^{-6} \cdot CMCR \cdot BSFC \cdot (T_1 - T_2)$ where: — <i>BSFC</i> = brake specific fuel consumption at contracted maximum continuous rating (<i>CMCR</i>) — T_1 = temperature of fuel oil at viscometer ^{a)} — T_2 = temperature of fuel oil from service tank
Heating capacity [kW]	$0.75 \cdot 10^{-6} \cdot CMCR \cdot BSFC \cdot (T_1 - T_2)$
Working pressure	Max. 12 bar, pulsating on fuel oil side
Working temperature	Up to 150 °C, outlet temperature on fuel oil side

a) The viscosity is maintained by regulating the fuel temperature after the end-heater.

Viscometer

The viscometer regulates the fuel oil end-heater, enabling the fuel oil viscosity to be kept at preferable engine conditions. When using HFO/LSHFO the ideal is 13-17cSt, and between 10-20cSt is acceptable. Although there is no active cooling required to keep the minimum limit of 10cSt, the absolute minimum viscosity is 2 cSt.

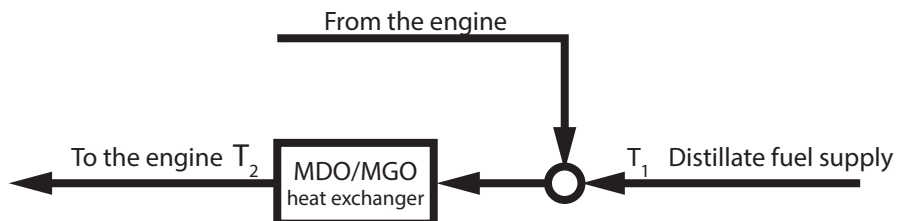
When using low-viscosity fuels, the end-heater must not be active and the MDO/MGO heat exchangers will be required to maintain these limits.

MDO/MGO heat exchanger

For MDO/MGO operation, the fuel might need to be cooled to stay above a minimum viscosity of 2 cSt at engine inlet. This fuel oil heat exchanger (and any optional heat exchanger that is included, as shown in *Concept Guidance Distillate Fuels*) uses low-temperature cooling water.

A chiller unit (cooling from refrigeration) is not required if the fuel properties are in line with the latest ISO 8217:2017 specification. Such a unit would only be needed for off-spec fuels that are not supported by WinGD.

Type	Tubular or plate type heat exchanger, suitable for diesel oils
Cooling medium	LT cooling water Alternatively: glycol-water mixture delivered from chiller unit
Cooling capacity [kW]	$Q = \frac{0.34 \cdot BSFC \cdot P \cdot (T_1 - T_2 + 25.65)}{10^6}$ <p>where: Q [kW] = cooler heat dissipation at 100% engine load BSFC [g/kWh] = specific fuel consumption at design conditions and 100% engine load P [kW] = engine power at 100% CMCR T₁ [°C] = temp. of distillate fuel supplied to engine T₂ [°C] = temp. of distillate fuel required at engine inlet</p>
Working pressure	Max. 12bar, pulsating on fuel oil side



SM-0187

*Fuel oil filters — Arrangement 'A'***Filtration grading**

The grade of filter mesh is relative to the size of particles it captures, however, there are different ratings for filtration efficiencies and the rating parameters vary among manufacturers.

For simplicity, it is assumed that particles are spherical, therefore the size is defined by an equivalent diameter. A filter's grading size is associated with this equivalent diameter but can vary depending on whether an *absolute* or *nominal* grading system is used.

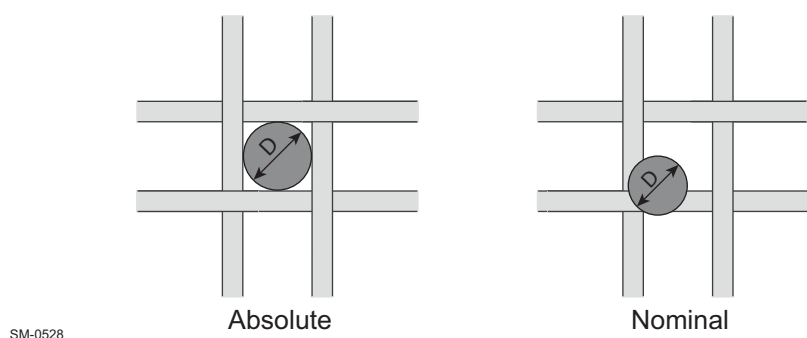


Figure 4-15 Mesh size difference between absolute and nominal

Absolute Filtration Grade

This value indicates the largest equivalent diameter capable of passing through the filter. This value equals the size of the mesh coarseness and can therefore be referred to as the *absolute sphere passing mesh size*. Approximately all particles larger than the specified size will be trapped on or within the filter.

Nominal Filtration Grade

This value is typically smaller than the absolute value and refers to an equivalent diameter where most particles will be trapped. Generally, this is interpreted as a 85% to 90% filtration for particles larger than the nominal value but this can range (from 60% to 90% approximately). Because of the complication this variation can cause, the nominal grade for filtration is not used in the following.

NOTE

WinGD provides all filter mesh sizes in absolute (abs.) values.

Arrangement 'A' of fuel oil filters (see [Figure 4-16](#), [4-38](#)) comprises:

- An automatic self-cleaning filter of maximum 10 μm abs., installed either in the 'cold' feed system (see [Option 1](#), [4-39](#)) or in the 'hot' booster system close to engine inlet (see [Option 2](#), [4-40](#)).
- A duplex filter of recommended maximum 25 μm abs., installed downstream of the engine inlet booster system (see [Duplex filter](#), [4-41](#)).

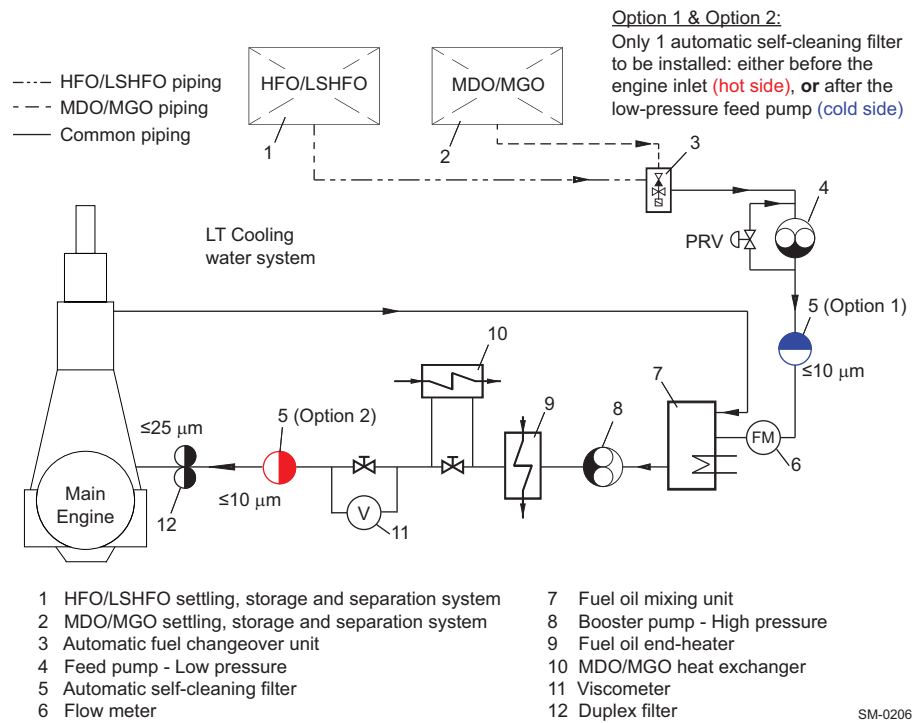


Figure 4-16 Fuel oil filter arrangement 'A'

The automatic self-cleaning filter of maximum 10µm abs. is used to protect the engine against serious damage. It captures the catalytic fines which were not removed by the fuel oil separator. In addition, the filter provides a good indication of the separator's efficiency.

NOTE

The self-cleaning performance must be suitable for the required filter fineness.

The 10 μ m abs. filter can be installed in two different locations:

Option 1

Filter installation in the feed system:

In this position the maximum 10 μ m abs. filter can be designed for a lower flow rate compared to the installation in the booster system. However, higher resistance due to higher fuel viscosity needs to be considered.

Advantage and disadvantage of this filter position:

Advantage	Booster pump is protected against abrasive catfines
Disadvantage	Engine is not optimally protected against booster pump wear particles

Table 4-7 Specification of automatic self-cleaning filter in feed system

Working viscosity	100 cSt, for HFO of 700 cSt at 50 °C
Flow rate	According to <i>GTD</i> . The capacities cover the needs of the engine only. The feed pump capacity must be increased by the quantity needed for back-flushing of the filter.
Service pressure after feed pumps	10 bar at filter inlet
Test pressure	Specified by classification society
Permitted differential press. at 100 cSt	— clean filter: max. 0.2 bar — dirty filter: max. 0.6 bar — alarm setting: max. 0.8 bar Note: Real operational settings could be less according to filter maker's recommendation.
Minimum bursting press. of filter insert	Max. 3 bar differential across filter
Mesh size	Max. 10 μ m abs.
Mesh size bypass filter	Max. 25 μ m abs.
Filter insert material	Stainless steel mesh (CrNiMo)

Option 2 Filter installation in the booster circuit:
The maximum 10 µm abs. filter is installed in the booster circuit close to engine inlet. The filter needs to be laid out for a maximum working temperature of 150°C.

Advantage and disadvantage of this filter position:

Advantage	Optimum engine protection from fuel oil catfines and other abrasive particles from system wear
Disadvantage	Booster pump is not ideally protected against catfines

Table 4-8 Specification of automatic self-cleaning filter in booster system

Working viscosity	10-20 cSt required for HFO (13-17 cSt recommended)
Flow rate	According to <i>GTD</i> . The capacities cover the needs of the engine only. If a filter of automatic back-flushing type is installed, the feed and booster pump capacities must be increased by the quantity needed for back-flushing of the filter.
Service pressure	Max. 12 bar at filter inlet
Test pressure	Specified by classification society
Permitted differential press. at 17 and 20 cSt	<ul style="list-style-type: none"> — clean filter: max. 0.2 bar — dirty filter: max. 0.6 bar — alarm setting: max. 0.8 bar Note: Real operational settings could be less according to filter maker's recommendation.
Minimum bursting press. of filter insert	Max. 3 bar differential across filter
Mesh size	Max. 10 µm abs.
Mesh size bypass filter	Max. 25 µm abs.
Filter insert material	Stainless steel mesh (CrNiMo)
Working temperature	Up to 150 °C

Duplex filter The second filter in Arrangement 'A' is a duplex filter of recommended maximum 25 µm abs. A coarser filter is also acceptable. The duplex filter is of manual cleaning type and is installed in the booster system close to engine inlet. This filter type is sufficient as most particles are already removed by the 10 µm filter as outlined in [Option 1, 4-39](#) and [Option 2, 4-40](#).

Table 4-9 Specification of duplex filter in booster system

Working viscosity	10-20 cSt required for HFO (13-17 cSt recommended)
Flow rate	According to <i>GTD</i> . The capacities cover the needs of the engine only. If a filter of automatic back-flushing type is installed, the feed and booster pump capacities must be increased by the quantity needed for back-flushing of the filter.
Service pressure	Max. 12 bar at filter inlet
Test pressure	Specified by classification society
Permitted differential press. at 17 and 20 cSt	<ul style="list-style-type: none"> — clean filter: max. 0.2 bar — dirty filter: max. 0.6 bar — alarm setting: max. 0.8 bar Note: Real operational settings could be less according to filter maker's recommendation.
Minimum bursting press. of filter insert	Max. 3 bar differential across filter
Mesh size	Max. 25 µm abs.
Filter insert material	Stainless steel mesh (CrNiMo)
Working temperature	Up to 150 °C

Fuel oil filter — Arrangement 'B'

A maximum 10 µm abs. filter of automatic self-cleaning type is installed in the 'hot' booster system close to engine inlet. The filter needs to be laid out for a maximum working temperature of 150°C.

NOTE

The self-cleaning performance must be suitable for the required filter fineness.

Same filter specification as provided by [Table 4-8](#), [4-40](#).

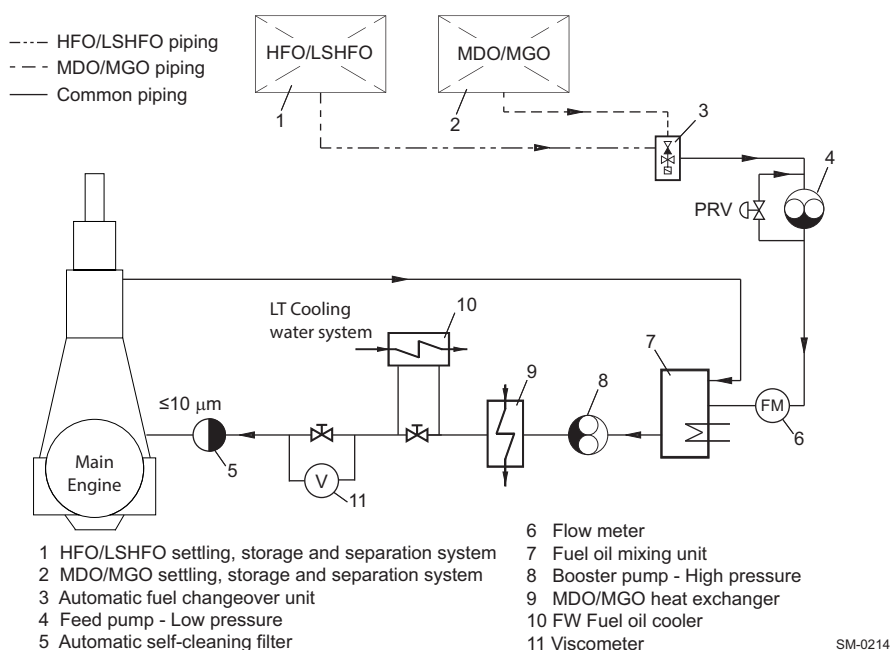


Figure 4-17 Fuel oil filter arrangement 'B'

Arrangement 'B' does not include secondary duplex filtration. It lacks the indication of overall performance of the fuel oil treatment system and gives no indication when the automatic self-cleaning filter fails.

NOTE

WinGD recommends Arrangement 'A', as this is a best practice solution.

4.4.2 Flushing the fuel oil system



For flushing of the fuel oil system refer to the latest version of the relevant **Instruction** (DG 9723), which is provided on the WinGD webpage under the following link:

[Instruction for flushing - Fuel oil system](#)

4.4.3 Fuel oil treatment



The latest version of the **Concept Guidance** for fuel oil treatment (DG 9723) is provided on the WinGD webpage under the following link:

[Fuel oil treatment](#)

Settling tanks

Gravitational settling of water and sediment from modern heavy fuel oils is an extremely slow process due to the small difference in densities. The time required for the settling to occur depends on the depth of the tank, as well as on the viscosity, temperature and density difference. Tanks that are shallower with a wider diameter enable better separation than thinner, taller tanks.

Further design features consider a level monitoring device and remote closing discharge valves to the separator(s) and engine systems, a connection to an overflow tank, and a self-closing cock just above the bottom of the tank for removal of the sludge and water.

Service tanks

Most of the service tank design features are similar to the settling tanks, however, there is no direct connection to the overflow tank. Instead a recirculating line, with an inlet just above the bottom of the service tank, leads back to the settling tanks.

Diesel oil service tanks are similar to heavy oil service tanks, with the possible exception of tank heating, although this may be incorporated for vessels constantly trading in cold climates.

Water in fuel

Due to condensation or heating coil leakage, water may be present in the fuel after the separators. This can be manually removed by a self-closing cock. In addition, the recirculation connection close to the bottom of the tank ensures that contaminated fuel is recirculated to the settling tank.

Cleaning of fuel

The fuel is cleaned from the settling tank to the service tank. Ideally, when the main engine is operating at CMCR, the fuel oil separator(s) should be able to maintain a continual overflow from the service tank to the settling tank. The cock, used to remove sludge and water, is to be operated at regular intervals to observe the presence of water, a significant indication for the condition of the separator(s) and heating coils.

Centrifugal fuel oil separators

There are two types of oil separators:

- Type 1 — Separators with gravity discs
- Type 2 — Separators without gravity discs

NOTE

Separators with gravity discs represent outdated technology and are therefore not supported by WinGD.

Separators without gravity discs

These separators are self-adjusting to the fuel properties and self-cleaning. Separators without gravity discs operate as combined purifiers-clarifiers; thus water and sediment separation is integrated in one unit. The manufacturers claim extended periods between overhaul. Compared to the outdated separators with gravity discs, the reliability is greatly improved, enabling unattended onboard operation. As it is usual to install a standby separator as a back-up, it is of advantage to use both units in parallel to improve the separation result.

For further details and information regarding the separators please refer to the manufacturer's instructions.

Separation efficiency

The separation efficiency is a measure of the separator's capability to remove specified test particles. The separation efficiency is defined as follows:

$$n = 100 \cdot \left(1 - \frac{C_{out}}{C_{in}} \right)$$

where:

n = separation efficiency [%]

C_{out} = number of test particles in cleaned test oil

C_{in} = number of test particles in test oil before separator

Certified Flow Rate

To express the performance of separators according to a common standard, the term Certified Flow Rate (CFR) has been introduced. CFR is defined as the flow rate in litres/hour, 30 minutes after sludge discharge, at which the separation efficiency is 85 % when using defined test oils and test particles. CFR is defined for equivalent fuel oil viscosities of 380 and 700 cSt at 50 °C.

More information can be found in the CEN document CWA 15375:2005 (E) of the European Committee for Standardization.

Throughput capacity

The required minimum effective throughput capacity (litres/hour) of the separators is determined by the formula $1.2 \cdot CMCR \cdot BSFC \cdot 10^{-3}$ [litres/hour] as shown in the example below. The project-specific BSFC value at 100% CMCR power output must be taken from the *GTD*. The nominal separator capacity and the installation are to comply with the recommendations of the separator manufacturer.

The MDO separator capacity can be estimated using the same formula.

Example

- 8-cyl. engine
- CMCR (R1 selected): 31,360 kW
- BSFC (Delta Bypass Tuning selected): 167.8 g/kWh
- **Throughput:** $1.2 \cdot 31,360 \cdot 167.8 \cdot 10^{-3} = 6,315$ litres/hour

Fuel oil samples

To ensure that representative samples of fuel oil can be taken, dedicated sampling points (cocks) are provided on engine side. Such cocks need also to be installed on system side according to the relevant system proposal drawing in *MIDS*.

4.4.4 Pressurised fuel oil system

The fuel is supplied from the heated heavy fuel oil service tank or the unheated diesel oil service tank to the low-pressure feed system.

Fuel changeover

For changing over from one fuel type to the other it was common to have a simple, manually operated three-way valve. This arrangement is not recommended any longer, as with the introduction of different Emission Control Areas (ECA), fuel changeover is quite frequently required, even at high engine load. (In the past it was needed in rare cases only, for instance due to maintenance or before stopping the engine, i.e. at relatively low loads.)

Automatic changeover unit

Consequently, a well proven automatic changeover unit is nowadays recommended, which ensures:

- A maximum temperature gradient of 2K/min during changeover
- A maximum viscosity of 20cSt
- A minimum viscosity of 2cSt; this minimum limit is most challenging during changeover from HFO to distillate fuel.
Attention: Not all changeover units guarantee keeping the minimum viscosity limit, as viscosity is not controlled.
- A best-practice automatic control of diesel oil cooler activation

4.4.5 Fuel oil specification

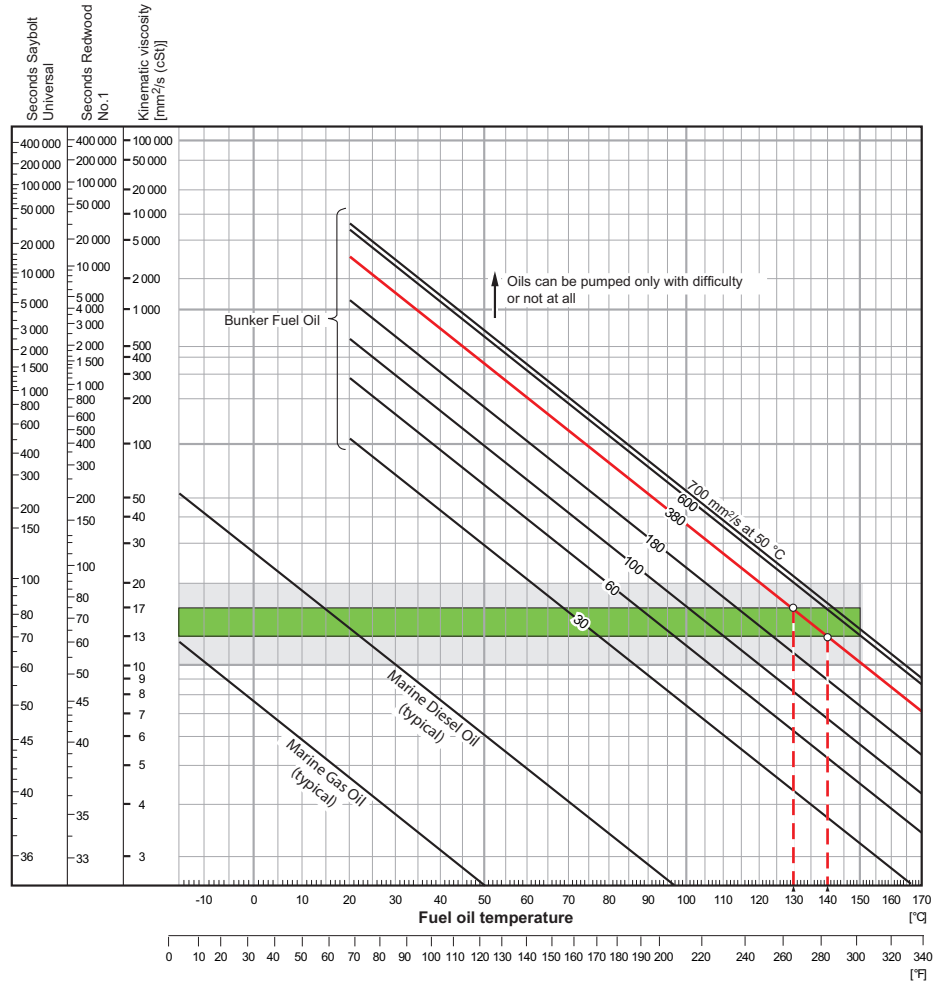


The validated fuel oil qualities are published in the document **Diesel engine fuels** provided on the WinGD webpage under the following link:

[Diesel engine fuels](#)

4.4.6 Fuel oil viscosity-temperature dependency

The fuel oil viscosity depends on its temperature. This dependency is shown as graph in Figure 4-18.



- Recommended viscosity range for HFO before fuel injection pumps
- Required viscosity range for HFO before fuel injection pumps

Example To obtain the recommended viscosity before fuel injection pumps a fuel oil of 380 mm²/s (cSt) at 50 °C must be heated up to 130 °C to 140 °C.

SM-0215

Figure 4-18 Fuel oil viscosity-temperature diagram

4.5 Air supply system



The latest version of the **Marine Installation Drawing Set** relevant for the air supply system (DG 9725) is provided on the WinGD webpage under the following link:

[MIDS](#)

Compressed air is required for engine starting and control, exhaust valve air springs, the washing plant for scavenge air cooler(s), and general services.

The starting and control air system shown in [Figure 4-19](#) comprises two air compressors, two air receivers, and systems of pipework and valves connected to the engine starting air manifold.

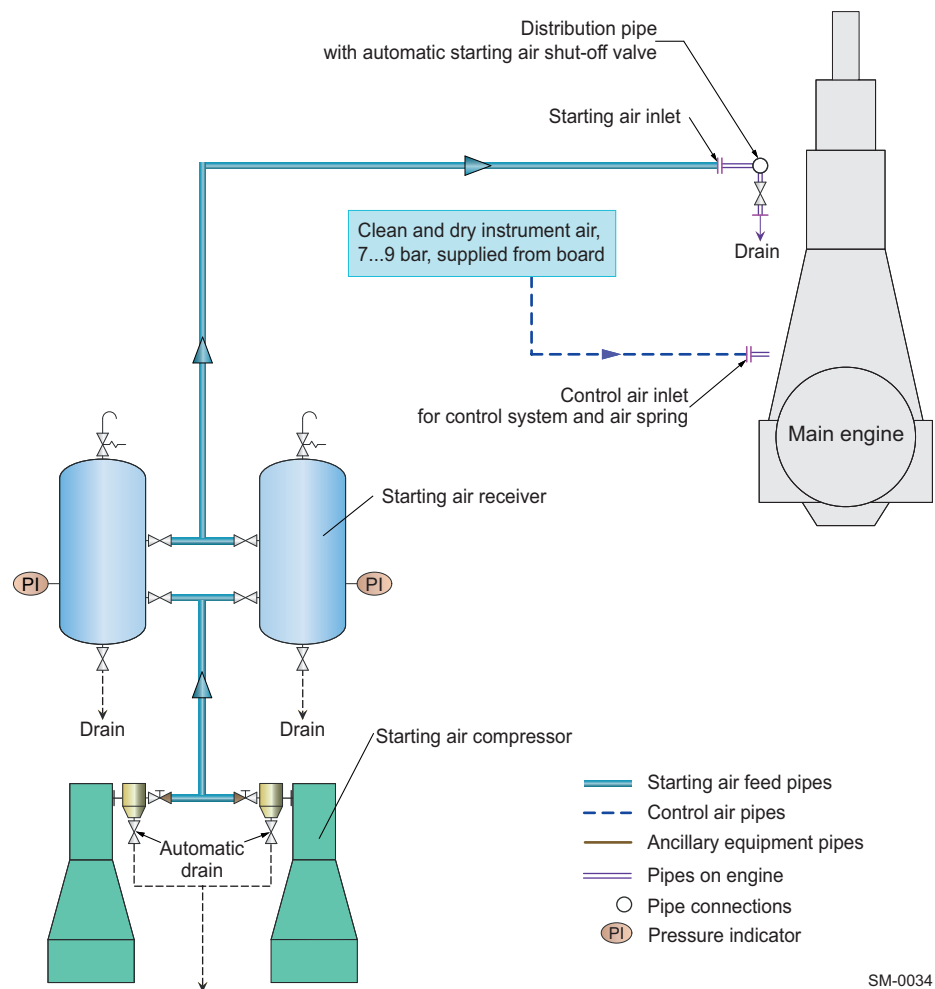


Figure 4-19 Air supply system

4.5.1 Capacities of air compressor and receiver

The capacity of the air compressor and receiver depends on the total inertia (J_{tot}) of the propulsion system's rotating parts.

- Total inertia = engine inertia + shafting and propeller inertia¹⁾:

$$J_{tot} = J_{eng} + J_{S+P}$$

- Engine inertia (J_{eng}): refer to *GTD*²⁾

- Relative inertia:

$$J_{rel} = \frac{J_{tot}}{J_{eng}}$$

4.5.2 System specification

Starting air compressors

Capacity	Refer to <i>GTD</i> .
Delivery gauge pressure	25 or 30 bar

The discharge air temperature must not exceed 90°C and the air supply to the compressors is to be as clean as possible without oil vapour.

Starting air receivers

Type	Fabricated steel pressure vessels with domed ends and integrated pipe fittings for isolating valves, automatic drain valves, pressure reading instruments and safety valves
Capacity	Refer to <i>GTD</i> .
Working gauge pressure	25 or 30 bar

1) Propeller inertia includes the part of entrained water.

2) The *GTD* application enables the capacities of compressors and air receivers to be optimised for the inertia of the engine and shaft line.

4.5.3 Control air

Control air supply system

Control air is supplied from the board instrument air supply system (see [Figure 4-19](#), [Fig 4-47](#)) providing air at 8 bar gauge pressure (within a range of 7.0-9.0 bar). The air quality should comply with the compressed air purity class **5-4-3** according to ISO 8573-1 (2010-04-15).

Control air consumption

The required control air flow capacities are shown in [Table 4-10](#). These data can be used for sizing the relevant engine external piping and facilities.

Table 4-10 Control air flow capacities

No. of cyl.	Control air flow capacity [Nm ³ /h]
5	12.0
6	14.4
7	16.8
8	19.2

4.5.4 Service and working air

Service and working air for driving air powered tools and assisting in the cleaning of the scavenge air cooler(s) is also provided by the board instrument air supply system.

4.6 Leakage collection system and washing devices



The latest version of the **Marine Installation Drawing Set** relevant for the leakage collection and washing system (DG 9724) is provided on the WinGD webpage under the following link:

[MIDS](#)

4.6.1 Sludge oil trap solutions

General description

General description of the sludge oil trap

A sludge oil trap is used to collect cylinder oil residue, product of combustion, and leaky system oil from the gland box. When the main engine is running, oil residue in the piston underside is collected from the cylinder lubrication as it is being scraped down from the cylinder liners. This oil is removed through the drains of each piston underside unit area and collected into the designated sludge oil trap. The sludge oil trap is connected with the scavenge air receiver, therefore the sludge oil trap is classified as a pressure tank, and in principle it requires approval and certification by the classification society. On the main engine side, the maximum scavenge air pressure in the scavenge air receiver is approximately 3.5-4.0 bar (g). Therefore, the tank pressure must be designed and produced accordingly.

Installation requirements

It is recommended to install the sludge oil trap as close as possible to the main engine. The drain pipe must have a minimum slope of 15° as the sludge tends to stick which could cause a blocking of the drain pipe. It is advised to install heat tracing and insulation around the drain pipe to keep the sludge in a liquid state. A heating coil must also be installed in the sludge oil trap. The heating system in the sludge oil trap must be designed to keep the sludge at approximately 50 to 60°C. The sludge oil trap design must follow the fire extinguishing requirements in case of a fire in the scavenge air receiver. For these reasons, a manual shut-off valve must be installed between the piston underside drain and the sludge oil trap.

In view of the current issues with the sludge oil trap design and based on the feedback from shipyards and shipowners, WinGD has provided an overview of the advantages and disadvantages of different solutions. A summary of these different systems and design options for shipyards and design institutes is provided below.

Solution 1: A constantly-drained sludge oil trap with separate sludge accumulation

Solution 1 description

The main function of this system is to reduce the pressure of the sludge emulsion from scavenge air pressure to just above atmospheric pressure, as well as to separate the solids from the liquids in the sludge emulsion.

Reducing the pressure prevents the sludge oil tank from becoming pressurised. This is accomplished by the orifice being fitted onto the drain outlet pipe. To ensure a continuous drain flow, some scavenge air flows to the sludge oil trap. The scavenge air is mainly released on the top of the sludge oil trap by passing through an orifice to the venting pipe. At the same time, an additional small amount is directed by an overflow pipe and through another orifice to the sludge oil tank. This continuous drain flow ensures that the drain pipe will not block and it will result in a scavenge air loss. The scavenge air loss is especially advantageous compared to the other possible solutions that are described and will not have any negative impact on the engine performance.

Separating the solids from the liquids will significantly reduce the risk of solid particles causing the orifice to become blocked. The sludge oil trap collects the solids from the bottom of the piston underside area. These solids settle at the bottom of the sludge oil trap. At the same time, the liquid part is drained by an overflow pipe (which is equipped with an orifice) to the sludge oil tank. As the solids are separated and since the overflow pipe is located at the upper part of the sludge oil trap, the risk of blocking the orifice by solid particles is significantly reduced. A sufficiently large opening near the bottom of the sludge oil trap is necessary to be able to remove the rather sticky, thick sediment which will have settled. This sediment will have a consistency closer to that of tar than of oil. Near the bottom of the sludge oil trap, a large manhole cover is located and is positioned at the side of the sludge oil trap to enable removal of the sediment. A test valve with a funnel is also provided to check whether the dirty oil freely flows from the engine to the sludge oil trap and to make sure that the sludge oil trap does not become completely filled.

A design proposal for the WinGD sludge oil trap is provided in [Figure 4-20](#), [Figure 4-52](#). The specific design dimensions for the sludge oil trap are provided in the sludge oil trap drawings contained in the MIDS relevant for the leakage collection and washing system, [Figure 4-50](#).

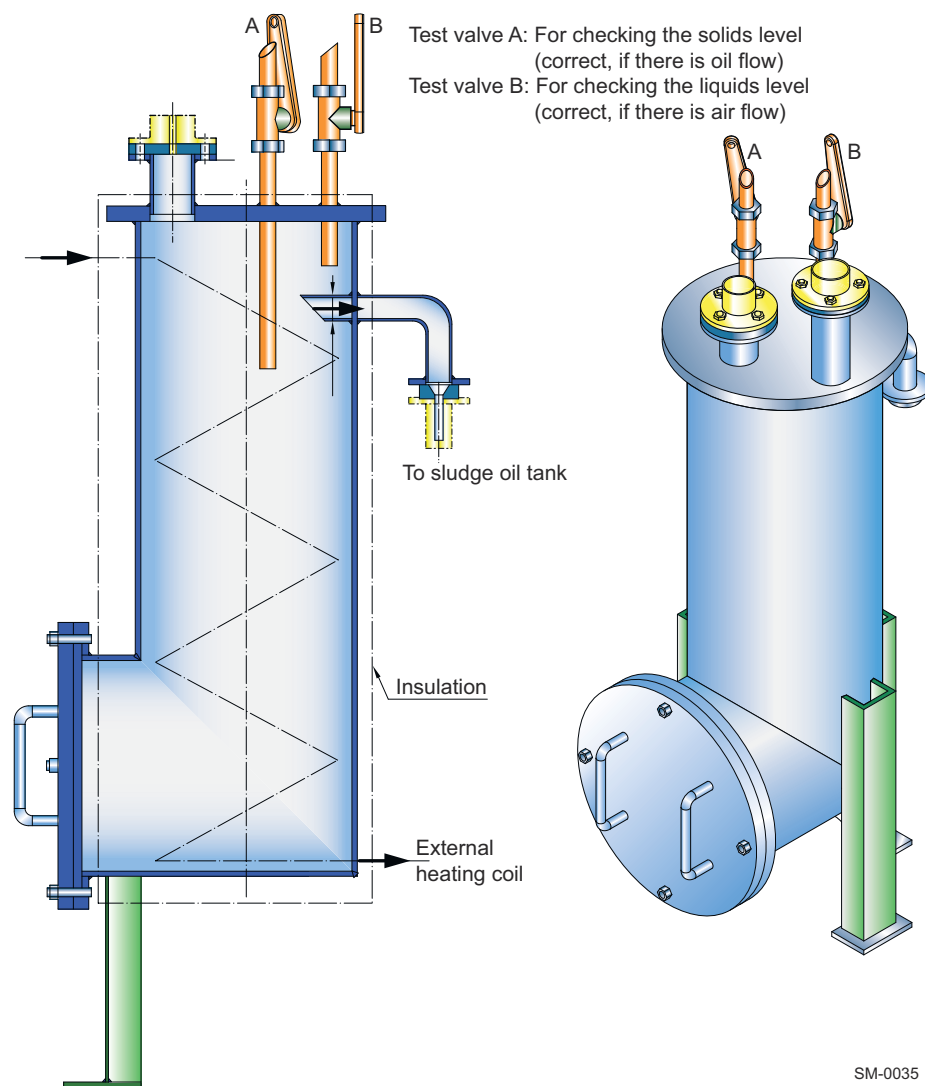


Figure 4-20 Design proposal of WinGD's sludge oil trap

Operation of the sludge oil trap

For monitoring the operation of the sludge oil trap, WinGD recommends checking the solids level in the sludge oil trap. The solids level can be assessed by opening the 'Test valve A' (see Figure 4-20). There must be an oil flow as otherwise the dirt will have accumulated above the maximum level. If there is no oil flow, then immediate sludge removal is required. The liquids level can be checked by opening the 'Test valve B' (see Figure 4-20). There must be an air flow, as this indicates that the oil drain is working properly. If instead there is an oil flow, this would indicate that the orifice of the overflow pipe is blocked and requires manual cleaning.

For manual sludge removal, partially unscrew and lift the cover to first drain the liquid to a tray, and then fully open the cover and manually remove the sludge.

Solution 2 description

Solution 2: A manually bottom-drained sludge oil trap

For the manual bottom-drain solution, there is no continuous drain to the sludge oil tank. The advantage of this solution is that it keeps the scavenge air loss to a minimum, while at the same time it ensures that the sludge oil tank is not at all pressurised during normal operation.

The piston underside drain is collected in the sludge oil trap. The flow is ensured by venting some air at the top of the sludge oil trap and through an orifice (5 to 10 mm inner diameter) to the atmosphere. In addition, a sight glass is installed in the venting pipe to check the air flow. An external heating device at the bottom of the sludge oil trap must be installed to ensure that the sludge emulsion can be properly drained through the manual bottom drain, which is activated by opening a manual valve.

There is a high-level alarm to inform the crew to drain the sludge oil trap.

Direct drain to the sludge oil tank

If the manual bottom drain is connected to the sludge oil tank, which is integrated in the double bottom structure, then the draining of the sludge will be pushed by scavenge air pressure and gravity. However, the manual bottom-drain valve must be closed quickly and as soon as the sludge oil trap becomes empty. Otherwise, the sludge oil tank will become pressurised by the scavenge air.

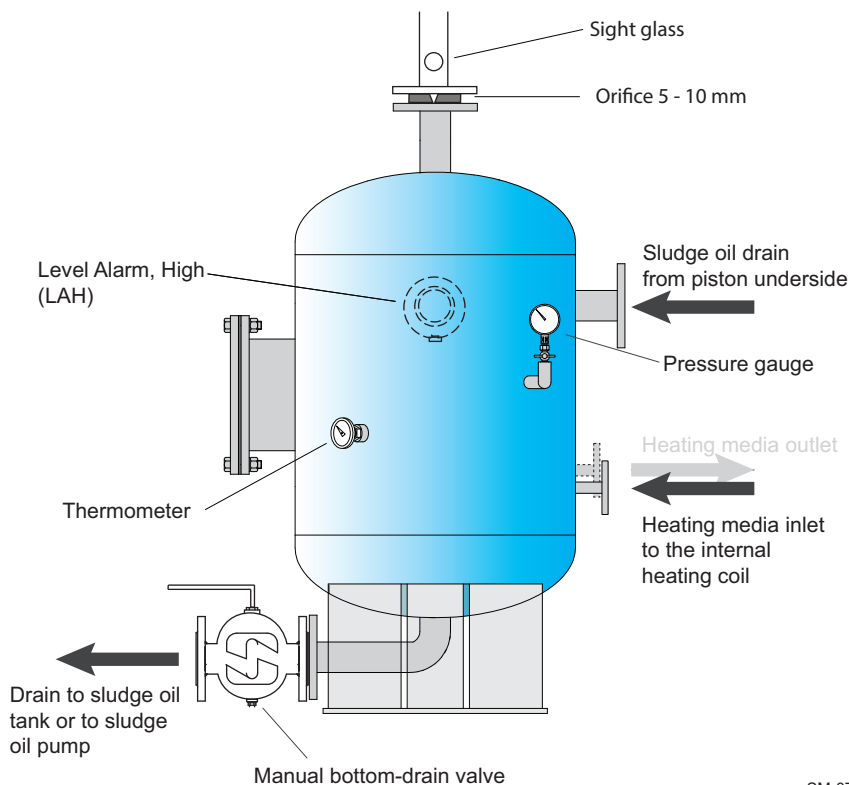
Transfer to the sludge oil tank by pump

If the manual bottom drain is connected to the intake of the sludge oil pump, then the sludge emulsion will be transferred to the sludge oil tank by this pump. The advantage of this solution is that the sludge oil tank can be installed at a different height than the double bottom level, while at the same time ensuring that the sludge oil tank will not be pressurised by opening the manual bottom drain.

Manual sludge removal

For manual sludge removal, partially unscrew and lift the cover to first drain the liquid to a tray, and then fully open the cover and manually remove the sludge.

A design proposal for the manually bottom-drained sludge oil trap is provided in [Figure 4-21](#).



SM-0771

Figure 4-21 Design proposal of a manually bottom-drained sludge oil trap

Solution 3 description*Solution 3: An automatically bottom-drained sludge oil trap*

For the automatic bottom-drain solution, there is no continuous drain to the sludge oil tank. The advantage of this solution is that it provides fully automatic operation of the bottom drain without manual crew operation. Also, this solution keeps the scavenge air loss to a minimum, while at the same time it ensures that the sludge oil tank is not at all pressurised during normal operation, as well as during drainage.

The basic design principle is the same as that of the manually drained sludge oil trap (i.e. Solution 2). The piston underside drain is collected in the sludge oil trap. The flow is ensured by venting some air at the top of the sludge oil trap and through an orifice (5 to 10 mm inner diameter) to the atmosphere. In addition, a sight glass is installed in the venting pipe to check the air flow. An external heating device at the bottom of the sludge oil trap must be installed to ensure that the sludge emulsion can be properly drained through the automatic bottom drain, which is designed as an automatic valve.

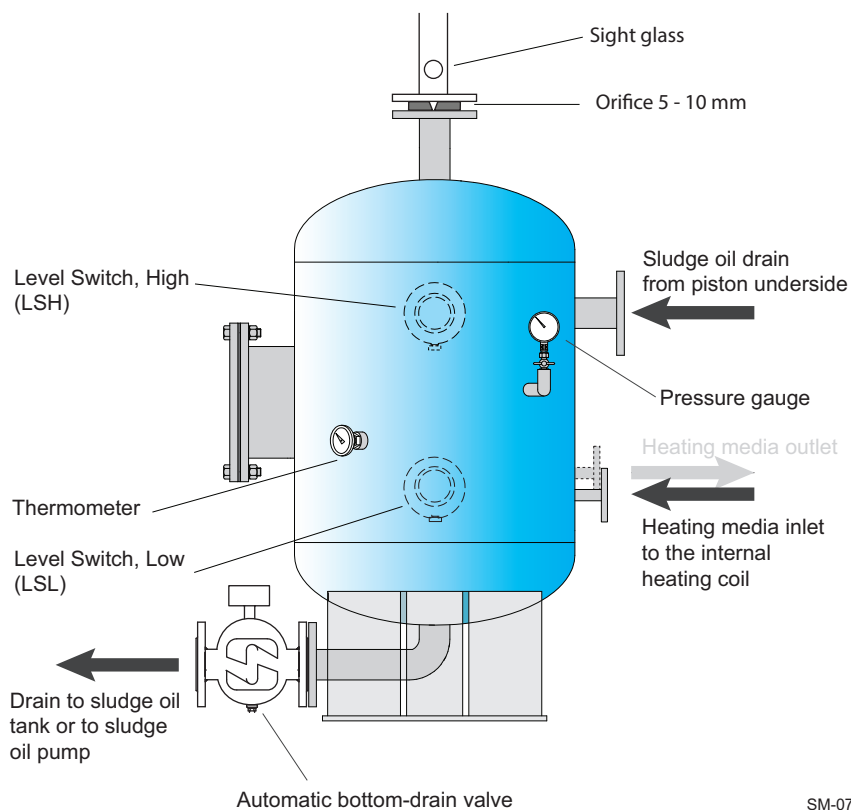
Automatic drainage

There is a high-level switch and a low-level switch to control the automatic bottom-drain valve. This valve automatically opens and closes the bottom drain. If the automatic bottom drain is connected to the sludge oil tank, which is integrated in the double bottom structure, then the draining of the sludge will be pushed by scavenge air pressure and gravity. The low-level switch will ensure quick closure of the automatic bottom-drain valve as soon as the sludge oil trap becomes empty. Otherwise, the sludge oil tank would become pressurised by the scavenge air. The advantage of the automatic drain solution, compared to the manual solution, is that the risk of blowing scavenge air to the sludge oil tank is eliminated.

Manual sludge removal

For manual sludge removal, partially unscrew and lift the cover to first drain the liquid to a tray, and then fully open the cover and manually remove the sludge.

A design proposal for the automatically bottom-drained sludge oil trap is provided in [Figure 4-22](#), [4-55](#).



SM-0772

Figure 4-22 Design proposal of an automatically bottom-drained sludge oil trap

4.6.2 Draining of exhaust uptakes

Engine exhaust uptakes can be drained automatically using a system as shown in Figure 4-23.

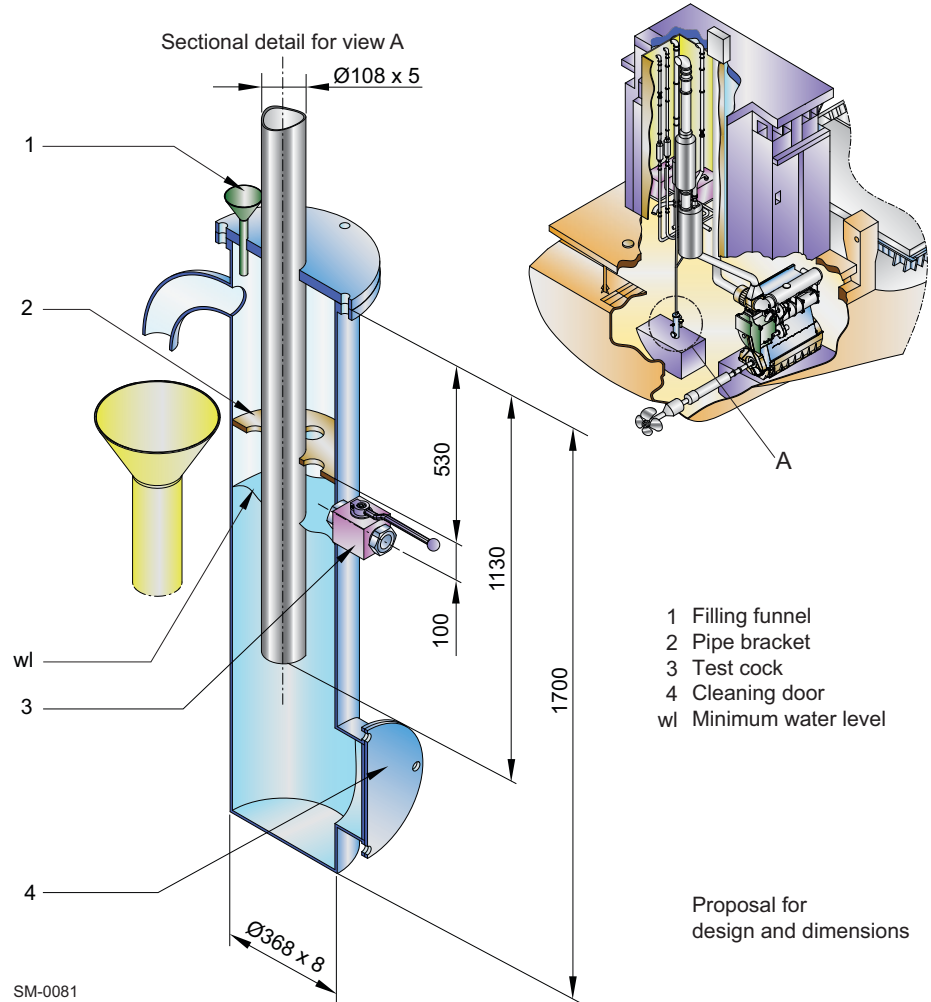


Figure 4-23 Arrangement of automatic water drain

4.6.3 Air vents

The air vent pipes of the ancillary systems have to be fully functional at all inclination angles of the ship at which the engine must be operational. This is normally achieved if the vent pipes have an uninterrupted inclination of min. 5%. Such arrangement enables the vapour to separate into its air and fluid components, discharging the air to atmosphere and returning the fluid to its source.

4.7 Exhaust gas system



The drawings relevant for the exhaust system (DG 9726) are provided on the WinGD webpage under the following link:

[MIDS](#)

Back pressure

The exhaust gas back pressure must be kept in the range as defined in the [MIDS](#) (DG 9726) and as mentioned in section 3.12.3, [3-22](#). To meet the specified back pressure requirements, the exhaust gas flow velocity must be considered.

Flow velocities

For an optimised exhaust gas system the following velocities are recommended for pipes A, B and C shown in [Figure 4-24](#):

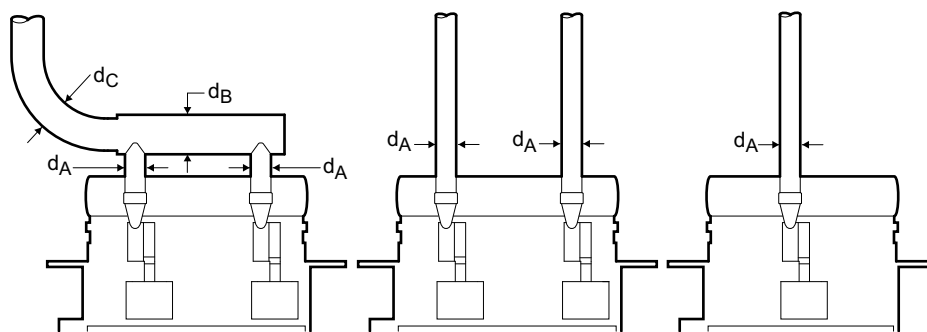
Pipe A = 40 m/s

Pipe B = 25 m/s

Pipe C = 35 m/s



For the pipe diameters please refer to the [GTD](#) application.



SM-0109

Figure 4-24 Determination of exhaust pipe diameter

4.8 Engine room ventilation

Special attention for the engine room ventilation is essential to ensure trouble-free operation of all equipment. It is important that the ventilation requirements, ventilation arrangement, air quality and outside ambient air temperature are taken into consideration.

4.8.1 Ventilation requirements

Engine room ventilation is to conform to the requirements specified by the legislative council of the vessel's country of registration and the classification society selected by the ship owner.

Calculation methods for combustion air flow requirements and for avoiding excessive heating of the machinery spaces are provided in the international standard ISO 8861 'Shipbuilding — Engine-room ventilation in diesel-engined ships — Design requirements and basis of calculations'.

The engine's combustion air is considered, and typically provided, as part of the overall engine room ventilation system. Approximately 50% of the overall engine room ventilation air is for the main engine's combustion, while the other half is used for the auxiliary engines, the boilers, and to provide sufficient cooling for equipment in the engine room. It is therefore vitally important that the ventilation system for the engine room has sufficient capacity to supply the necessary air flow for all engine room needs.



The heat emissions, required air flow and estimated power for the layout of engine room ventilation can be obtained from the *GTD* application. These values consider the ISO 8861 standard, however, in some circumstances the results are different from the standard calculations. In these cases, WinGD has provided the specific engine values and these should be considered before ISO 8861.

It should be noted that the engine requires less combustion air when not running at full load. This then provides potential energy savings by reducing the frequency of the ventilation fans when demand is low. This process can be automated, interfacing with the engine, if requested.

4.8.2 Ventilation arrangement

It is important to follow the best practice methods for supplying the combustion air for main engine as described in this section. However, the final layout of the engine room ventilation is at the discretion of the shipyard.

Two different ventilation arrangements

Experience shows that the air flow in the engine room, from the ventilation system outlet to the turbocharger inlets, should be as direct as possible. This increases the amount of air directly supplied to the turbocharger, limiting heat transfer to the air flow and therefore providing the best possible engine performance, especially during tropical conditions.

Alternatively, a ventilation system with a direct air suction layout can be arranged, where the ventilation system connects the outside ambient air directly to the engine.

These two different arrangements are discussed as follows:

- **Arrangement 1** — Engine room ventilation system (Figure 4-25, 4-60)
The ventilation system draws air from the outside ambient air into the engine room, where it is sucked into the turbocharger inlet.
- **Arrangement 2** — Direct engine ventilation system (Figure 4-26, 4-61)
The ventilation system outlet is connected to the turbocharger inlet. Therefore, the outside ambient air is sucked directly into the turbocharger without passing through the engine room.

NOTE

In both arrangements, the ventilation inlets must be located and designed to ensure that water spray, rain water, dust and exhaust gases cannot enter the system nor the engine room.

*Arrangement 1 — Engine room ventilation system***Functional principle**

The ventilation system draws air from outside the vessel using ventilation fans at the inlet. Ventilation inlets are typically protected with a weather hood and louvres to minimise the amount of water and other particles entering the system. The air travels to the engine room where it leaves the ventilation outlets and enters the engine.

Layout

The engine room ventilation should be arranged in such a way that the main engine combustion air is **delivered directly to the turbocharger inlet**, locating the ventilation outlet and turbocharger inlet as close as possible, and directly facing to each other, ensuring a smooth and direct flow of air.

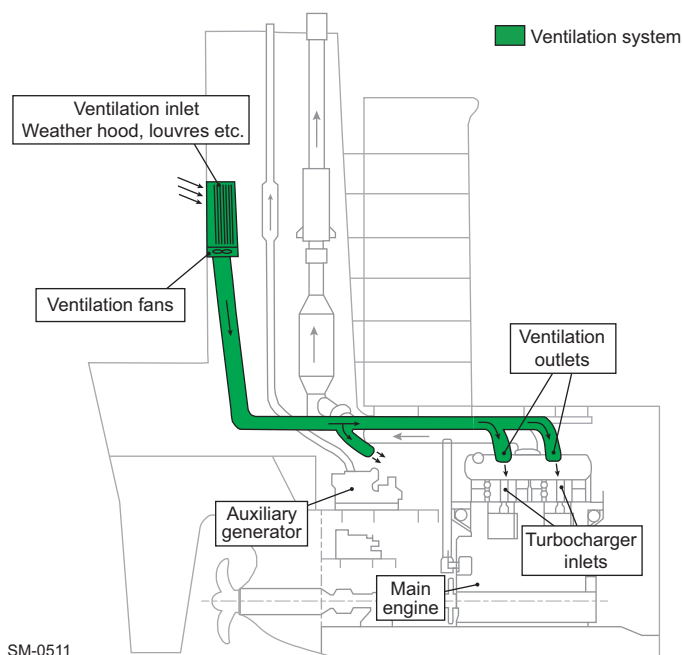


Figure 4-25 Ventilation system arrangement 1 — Engine room ventilation system

By ensuring that the air flow from the ventilation outlet to the turbocharger inlet is as direct as possible, the air intake is at its coolest. The ventilation arrangement should limit air from the engine room, mixing with the inlet air and entering the turbocharger. Limiting this heating effect will keep the engine's specific fuel consumption low as a consequence.

TC with filter

The turbocharger is fitted with a filter silencer that reduces noise and prevents large items from entering the turbocharger. Most turbocharger manufacturers supply an optional secondary fibre or mat filter that can further remove particles and oil mist. This can reduce the effort required for scavenge air cooler cleaning.

NOTE

WinGD recommends selecting the optional secondary filter to further assist with removing fine particles and oil mist that may be present in the engine room.

Arrangement 2 — Direct engine ventilation system

Layout In this arrangement, the ventilation outlets are coupled with the turbocharger inlets. As the turbochargers directly receive all the outside ambient air drawn via the ventilation system, there is little chance for the temperature to increase. As a result, this arrangement delivers cooler air to the engine than in 'Arrangement 1', reducing the engine's brake specific fuel consumption.

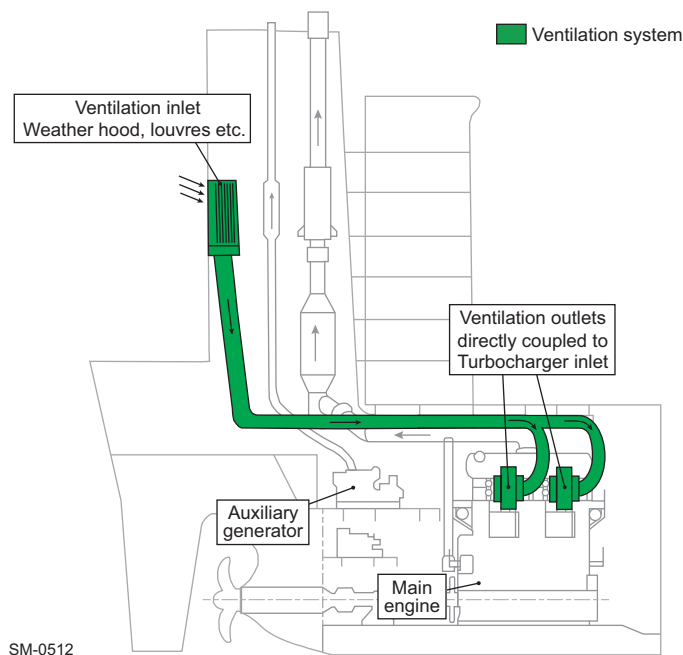


Figure 4-26 Ventilation system arrangement 2 — Direct engine ventilation system

The outside ambient air is drawn through the ventilation system by the turbochargers, and therefore there is no need for ventilation fans in this arrangement. However, it is still essential that the ventilation inlet is protected, typically with a weather hood and louvres. A separate filter unit, if required, can also be fitted here, within the inlet housing.

Requirements

The engine room ventilation system is provided with separate ventilation fans and ducting. It should be appropriately sized to provide comfortable working conditions in the engine room, supply the necessary combustion air for auxiliary generator(s) and the boiler, and to prevent heat-sensitive apparatus from overheating.

As the main engine combustion air is no longer provided for by the engine room ventilation system, the energy demand of the ventilation fans is reduced compared to 'Arrangement 1'.

4.8.3 Air intake quality

Air intake quality can vary depending on the circumstances of the vessel. For example, suction air is expected to have a dust content of 0.5 mg/m^3 or higher if a vessel is carrying dusty or dust creating cargoes, such as iron ore and bauxite, or if it is often in port, trading in coastal waters and desert areas. In these cases, the air must be filtered before it enters the engine (see [Table 4-11](#)).

Dust filters The necessity for installing a dust filter and the choice of filter type depends mainly on the concentration and composition of dust in the suction air. The normal air filters fitted as standard to the turbochargers are intended mainly as silencers but not to protect the engine against dust. If the air supply to machinery spaces has a dust content exceeding 0.5 mg/m^3 , there is a risk of increased wear to the piston rings and cylinder liners.

NOTE

WinGD advises to install a filtration unit on vessels regularly transporting dust creating cargoes, or trading in areas of atmospheric dust.

Table 4-11 Guidance for air filtration

Dust concentration in ambient air			
Normal	Normal shipboard requirement	Alternatives necessary in very special circumstances	
Most frequent particle sizes	Short period < 5% of running time, < 0.5 mg/m^3	Frequently to permanently $\geq 0.5 \text{ mg/m}^3$	Permanently > 0.5 mg/m^3
> $5 \mu\text{m}$	Standard TC filter sufficient	Oil wetted or roller screen filter	Inertial separator and oil wetted filter
< $5 \mu\text{m}$	Standard TC filter sufficient	Oil wetted or panel filter	Inertial separator and oil wetted filter
---	Normal requirement for the vast majority of installations	These alternatives apply most likely to only very few extreme cases, e.g. ships carrying bauxite or similar dusty cargoes, or ships routinely trading along desert coasts.	

All filters' surfaces must be sized correctly to ensure full functionality of the filtration. This is dependent on the engine's maximum power output as shown in [Figure 4-27](#), [4-63](#).

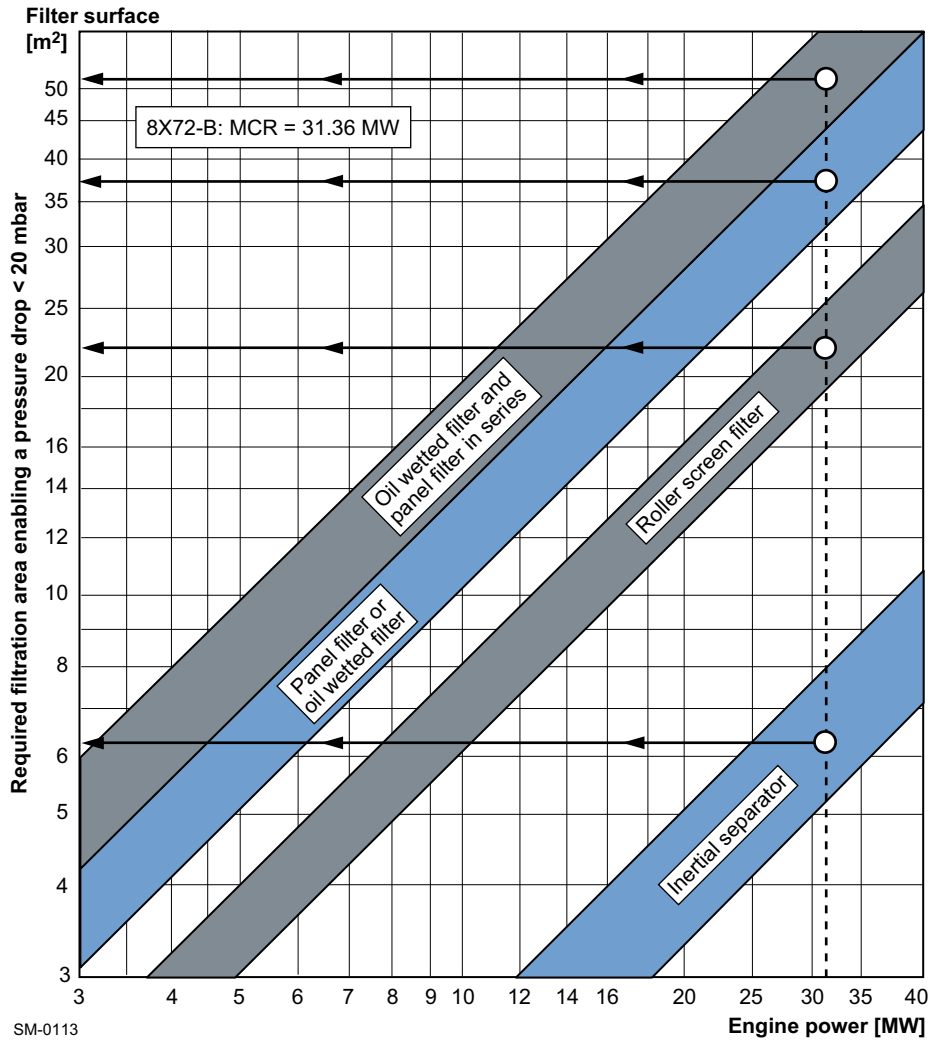


Figure 4-27 Air filter size (example for 8-cyl. engine)

4.8.4 Outside ambient air temperature

The intake air temperature can vary greatly depending on the area of operation, and as the engine may operate over a wide range of ambient air temperatures, hot and cold limits should be considered.

When operating within the normal temperature range of -10 to 45°C (see [3.12.2 Operating conditions](#), [3-21](#)), the engine does not require any special measures (i.e. no separate scavenge air heater is required). When operating below -10°C, the exhaust gas waste gate must be designed project specifically. Therefore, please contact WinGD to get the project-specific layout. In addition, the requirements of the turbocharger maker as outlined in [Table 4-12](#) must be considered. When operating above 45°C, the power output of the engine may be limited (please contact WinGD for case by case calculations).

Table 4-12 Operational temperature range requirements of the turbocharger

Turbocharger maker	Operational temperature range	Requirements
Accelleron	-40 to 45°C	No additional requirements
MHI	< 0°C	Tachometer sensor, silencer materials and manometer materials (vinyl tube and liquid) must be changed Impeller tightening pressure must be increased Warm-up operation is recommended
	0 to 45°C	No additional requirements

NOTE

The requirements in the above table will be automatically updated without notice by the turbocharger maker. For up to date requirements, please see the specifications of the turbocharger maker.

NOTE

No special measures are required for engine operation within the normal temperature range of -10 to 45°C.

4.9 Piping

4.9.1 Pipe connections



The latest versions of the **Pipe Connection Plan** (DG 8020) are provided on the WinGD webpage under the following links:

5-cyl. engine

6-cyl. engine

7-cyl. engine

8-cyl. engine

4.9.2 Fluid velocities and flow rates

For the different media in piping, WinGD provides recommended fluid velocities and flow rates as stated in the document 'Fluid Velocities and Flow Rates' (DG9730). The pump delivery head proposals provided by the *GTD* are based on system layouts which follow these recommended values. However, the values which are provided by this document are only for guidance purposes and the final pump layout must account for the final system layout. The values are based on the optimisation between installation and operating costs (pump energy). National and shipyard standards may also be applied.



The latest version of the document **Fluid Velocities and Flow Rates** (DG 9730) is provided on the WinGD webpage under the following link:

Fluid Velocities and Flow Rates

4.10 PTO, PTI, PTH and primary generator applications

WinGD proposes various Power Take-Off (PTO) and Power Take-In (PTI) arrangements that improve the efficiency and usability of the vessel's propulsion chain. Some of the proposals are even suitable as Power Take-Home (PTH) devices, which enable the vessel to immobilise the main engine while remaining capable of moving. Furthermore, the primary generator enables the vessel to generate electric power by the main engine without running the propeller.

A PTO/PTI/PTH solution can be applied on the driving end side, while a PTO solution can be applied on the free end side.

For installation of a PTO/PTI/PTH on the driving end side, an earthing device (see section 3.9.2 Earthing device, ¶ 3-16) must be placed between the PTO/PTI/PTH and the main engine's flywheel. If an optional shaft power meter (see subsection Shaft power meter option, ¶ 1-5) is installed, it is usually positioned as close as possible to the main engine's flywheel.

NOTE

All other alternatives are subject to a detailed project-specific study and definition. Please consult WinGD via their licensee.

4.10.1 Requirements

After selecting the engine:

- 1) Define the shaft power and the shaft speed.
- 2) Estimate the electric power demand for propulsion purpose.
- 3) Evaluate which of the PTO / PTI systems is the most suitable.
- 4) Select suitable electrical components like frequency converter, etc.

NOTE

The type of the PTO/PTI system has an influence on the execution of the main engine. Thus, changing from one system type to another is possible in the project stage but not after having ordered the engine.

4.10.2 Arrangements for PTO, PTI, PTH and primary generator

Figure 4-28, ¶ 4-67 illustrates the different arrangements for PTO, PTI, PTH and primary generator.

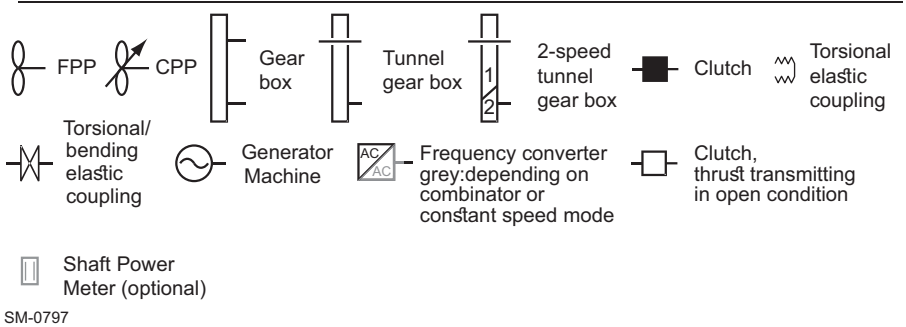
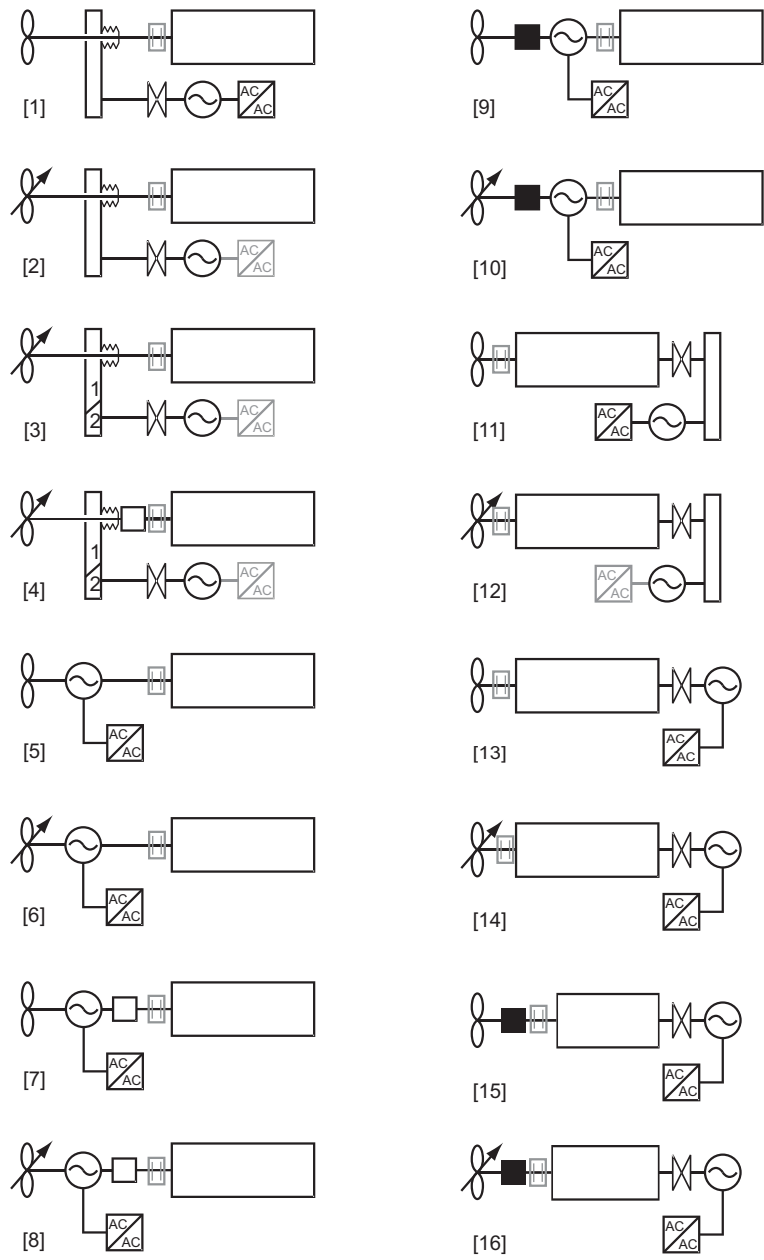


Figure 4-28 Arrangements for PTO, PTI, PTH

The following table itemises the arrangements corresponding to the numbers in Figure 4-28, 4-67.

Table 4-13 PTO/PTI/PTH arrangements for X72-B

[1]	[2]	[3]	[4]	[5]	[6]	[7]	[8]	[9]	[10]	[11]	[12]	[13]	[14]	[15]	[16]
(X)	(X)	(X)	(X)	X	X	X	X	X	X	(X)	(X)	X	X	X	X
X = the arrangement is possible (X) = the arrangement may not be possible (too high nominal generator/el. motor torque due to too low nominal engine speed and/or high generator/el. motor power)															

NOTE	In any case, please check the application of arrangements for the selected engine with WinGD via their licensee. Project dependent options can also be considered.
-------------	--

4.10.3 Application constraints

The feasibility of project-specific PTO / PTI / PTH and primary generator needs to be studied in any case. An overview about impacts is given in Table 4-15, 4-69.

Table 4-14 Possible options for X72-B

Option	Arrangements (see Figure 4-28, 4-67)															
	[1]	[2]	[3]	[4]	[5]	[6]	[7]	[8]	[9]	[10]	[11]	[12]	[13]	[14]	[15]	[16]
PTO	X	X	X	X	X	X	X	X	X	X	X	X	X	X	X	X
PTI	X	X	X	X	X	X	X	X	X	X	O	O	O	O	O	O
PTH	O	O	O	X	O	O	X	X	O	O	O	O	O	O	O	O
Primary generator	O	O	O	O	O	O	O	O	(X)	X	O	O	O	O	(X)	X
Remarks	a)	a) b)	a) b)	a) b)					c)	c)	a)	a) b)			c)	c)
X = the option is possible (X) = the option is possible, however uncommon O = the option is not possible																

- a) If the lowest torsional natural frequency is < 1.5Hz, special care has to be taken regarding possible engine speed fluctuations.
- b) In case the electric generator/motor is operated at variable speed (CPP combinator mode), a frequency converter is needed.
- c) With de-clutched propeller and pure generator operation, the minimum engine load requirement has to be obeyed.

Permanent Magnet

In cases where ‘Permanent Magnet’ type generators or electric motors are installed, special attention must be given to the alignment issue. Due to the low rotor mass in relation to the magnetic forces, a potential risk of unloaded shaft bearings may exist. In addition, bearing load measurements may be falsified by the influence of the permanent-magnetic pull force.

Table 4-15 Influence of options on engineering

Engineering	Arrangements (see Figure 4-28, 4-67)															
	[1]	[2]	[3]	[4]	[5]	[6]	[7]	[8]	[9]	[10]	[11]	[12]	[13]	[14]	[15]	[16]
Extended TVC	X	X	X	X	X	X	X	X	X	X	X	X	X	X	X	X
Misfiring detection	(X)	(X)	(X)	(X)	O	O	O	O	O	O	(X)	(X)	(X)	(X)	(X)	(X)
Impact on ECS	(X)	(X)	(X)	(X)	(X)	(X)	(X)	(X)	(X)	(X)	(X)	(X)	(X)	(X)	(X)	(X)
Shaft alignment study	(X)	(X)	(X)	(X)	X	X	X	X	X	X	(X)	(X)	(X)	(X)	X	X
Bearing load due to external load	(X)	(X)	(X)	(X)	X	X	X	X	X	X	(X)	(X)	X	X	X	X
Dynamic condition due to external load	O	O	O	O	O	O	O	O	O	O	X	X	X	X	X	X

X = the arrangement has an influence on this engineering aspect
 (X) = the arrangement might have an influence on this engineering aspect
 O = the arrangement has no influence on this engineering aspect

Extended TVC The added components have a considerable influence on the related project-specific torsional vibration calculation. Proper case dependent countermeasures need to be taken depending on the results of the detailed TVC. For further details, refer to section 6.4.2 PTO/PTI systems effect on torsional vibration, 6-18.

Misfiring detection Depending on the results of the TVC, a misfiring detection device (MFD) might be needed to protect the elastic coupling and the gear-train (if present) from inadmissible torsional vibrations in case of misfiring.

Impact on ECS The PTO/PTI/PTH application has to be analysed via the licensee with the Propulsion Control System supplier and with WinGD for the Engine Control System.

Shaft alignment study The added components can have an influence on the alignment layout. The shaft bearing layout has to be properly selected and adjusted to comply with the given alignment rules. For further details, refer to section 3.6 Engine and shaft alignment, 3-13.

Bearing load due to external load The added components increase the bending moment and the related bearing loads. The bearing loads have to be checked for compliance with the given rules.

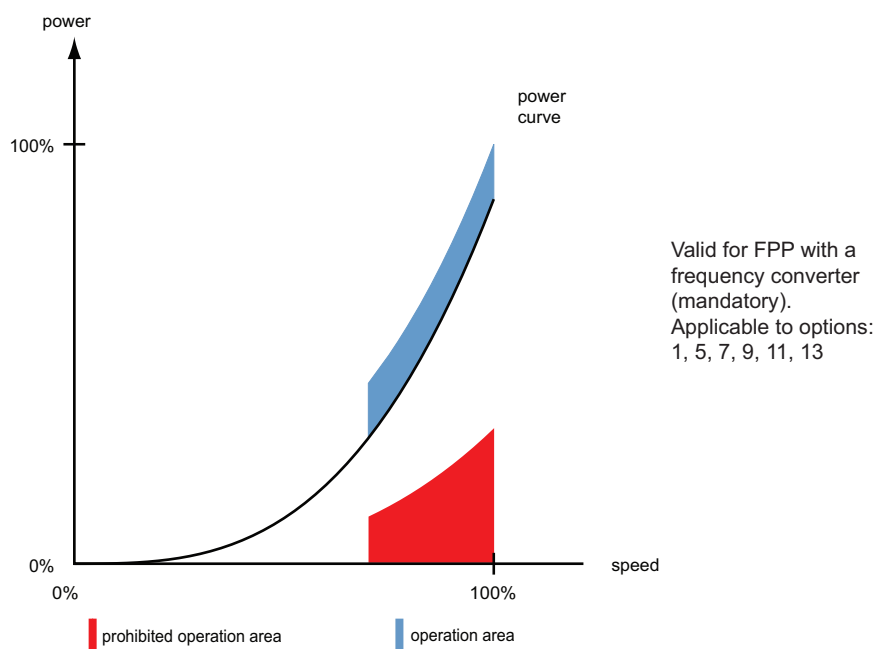
Dynamic conditions due to external load The components attached to the free end have to be checked for any influence on the axial and radial movements of the extension shaft caused by the dynamics of the engine.

4.10.4 Service conditions

The service condition depends on the selected PTO/PTI/PTH option. Depending on engine type there are one or several cases, which are illustrated below.

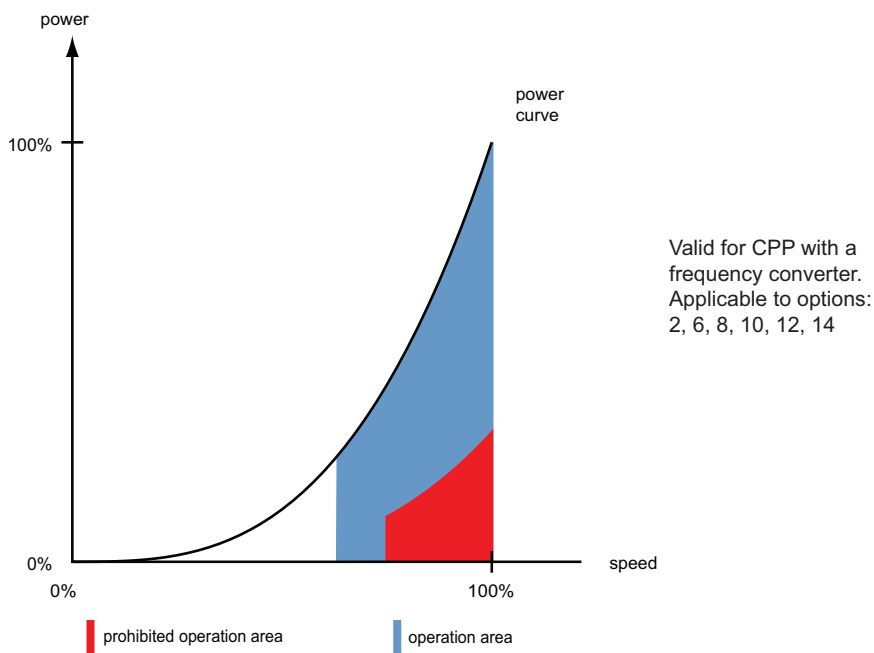
Operation area and prohibited area

The following illustrations indicate how the engine generator unit can be operated. The prohibited operation area is defined in section 2.7, 2-12.



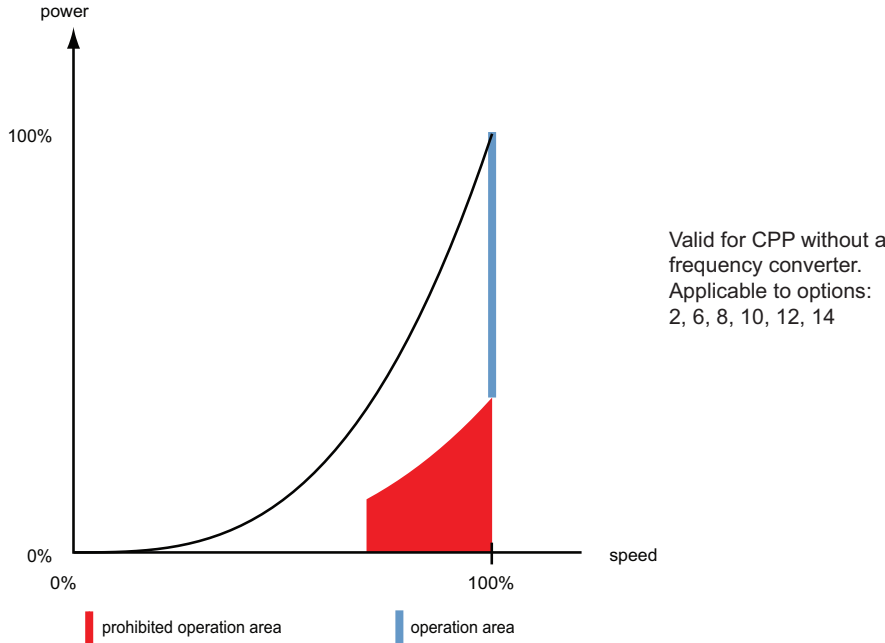
SM-0201

Figure 4-29 FPP with mandatory frequency converter



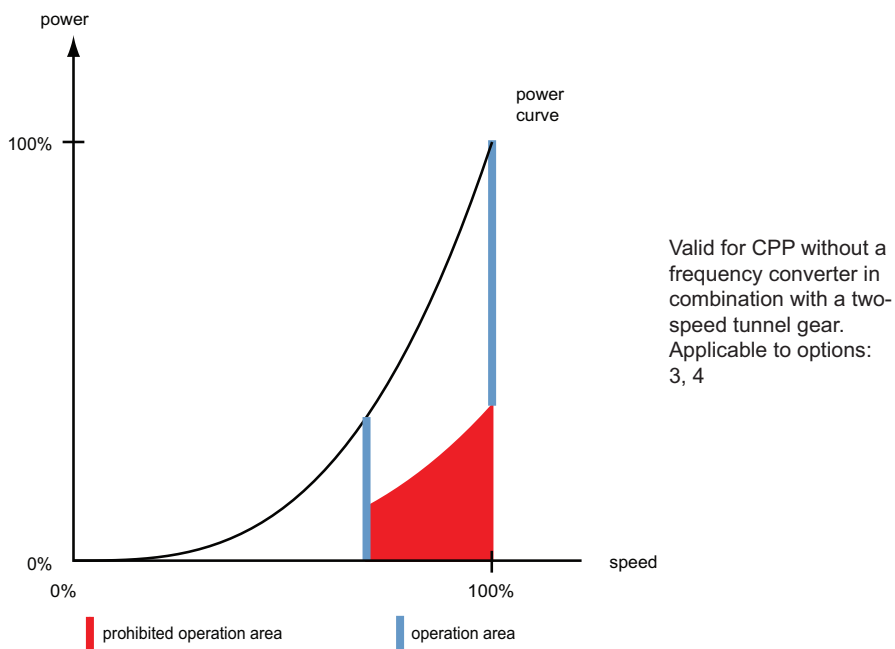
SM-0202

Figure 4-30 CPP in combination with an optional frequency converter



SM-0203

Figure 4-31 CPP in constant speed operation without frequency converter



SM-0204

Figure 4-32 CPP with two fixed operation speeds without frequency converter

4.10.5 PTO application

When operating the diesel engine with a PTO, the operation interaction between the engine and PTO must be evaluated. If one of the following conditions applies, project-specific evaluation is required:

- The ratio between PTO mechanical power and CMCR engine power is larger than 20%
- Operation of PTO is below 50% CMCR engine speed
- Working as a genset with a disconnected propeller
- The design requires special conditions such as ice operation, ice ramming, dynamic positioning, etc.

The above-mentioned engine operating conditions require simulation. Additionally, PTO connection and disconnection must be considered with special care. WinGD offers advisory services for assessing the feasibility of such configurations.

Further services for evaluation of engine performance and X-EL advisory services

WinGD provides project-specific support services for safe engine operation (e.g. PTO/PTI applications, disengaged propeller operation, etc.), including X-EL systems and integration (e.g. PTO, battery-hybrid systems, and energy management control).

Please contact WinGD via the following e-mail address, along with any further questions:

electrification@wingd.com

Winterthur Gas & Diesel Ltd.
Sustainability Solutions
Schützenstrasse 3
8400 Winterthur
Switzerland

4.10.6 PTO testing



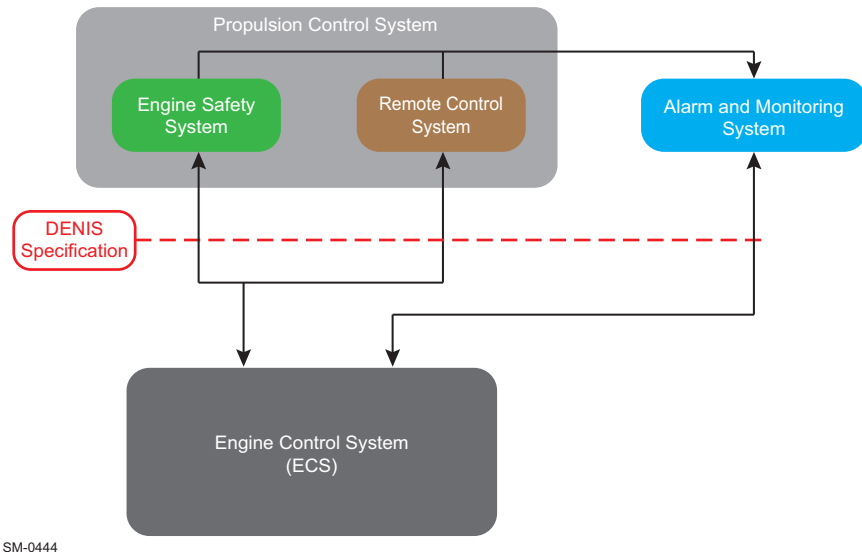
For testing purposes, the engine must have a complete torsional vibration calculation performed. If confirmed by the calculation, the engine can be operated at the CMCR speed and low load during a one-time period of 15 minutes on the testbed and 30 minutes during dock trials (e.g. shaft generator adjustment) in the presence of an authorised representative of the engine builder. If required, the test can be repeated. Further information is available on the WinGD webpage under the following link:

[Guideline for Shaft Generator Test with Disconnected Propeller during Dock Trial](#)

5 Engine Automation

The Engine Control System (ECS) provides data bus connection to the Propulsion Control System (PCS) and the Alarm and Monitoring System (AMS). The AMS is usually provided by the shipyard.

The leading suppliers of propulsion control systems approved by WinGD ensure complete adaptation to engine requirements.



SM-0444

Figure 5-1 Engine automation architecture

5.1 DENIS

WinGD's standard electrical interface is **DENIS**, which is in line with approved propulsion control systems.

DENIS The Diesel Engine CoNtrol and optImising Specification (DENIS) interface contains specifications for the engine management of all WinGD two-stroke marine diesel engines.

ECS WinGD provides a fully integrated ECS, which takes care of all Flex system-specific control functions, e.g. fuel injection, exhaust valve control, cylinder lubrication, crank angle measurement, and speed/load control. The system uses modern bus technologies for safe transmission of sensor signals and other signals.

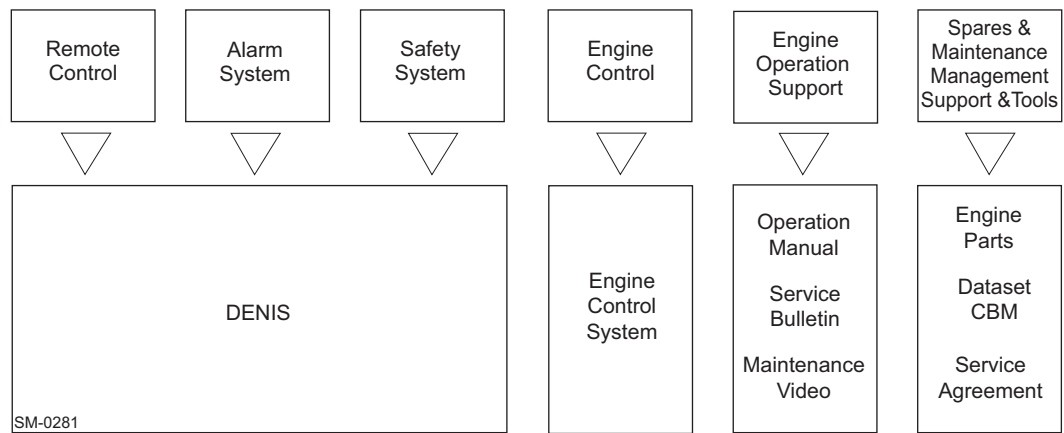


Figure 5-2 Engine management and automation concept

5.2 DENIS concept

The concept of DENIS offers the following features to ship owners, shipyards and engine builders:

5.2.1 Interface definition

The WinGD interface defines the division of responsibilities between engine builder and PCS and AMS supplier, enabling the authorised suppliers to adapt their systems to the common rail system engines. The data bus connection provides clear signal exchange.

5.2.2 Approved propulsion control systems

Propulsion control systems including remote control, safety and telegraph systems are available from suppliers approved by WinGD (see [Table 5-1](#), [5-4](#)). This cooperation ensures that the systems fully comply with the specifications of the engine designer.

5.3 DENIS specification

The DENIS specification describes the signal interface between the engine control system and the PCS and AMS. It does not include any hardware, but summarises all data exchanged and defines the control functions required by the engine.

The DENIS specification consists of two sets of documents:

5.3.1 DENIS interface specification

This signal interface specification is made available to engine builders and shipyards. Besides the description of engine-built components for control, alarm and indication, the specification contains the following:

- List of alarm and display functions to be realised in the vessel's AMS
- Control diagram of the engine
- Signal list including a minimum of functional requirements
- Information related to the electrical wiring on the engine

5.3.2 DENIS propulsion control specification

This document contains a detailed functional specification of the propulsion control system.

The intellectual property rights of this specification remain with WinGD. Hence the document is licensed only to the partner companies of WinGD developing propulsion control systems. These companies offer systems which are built exactly according to the engine designer's specifications and are finally tested and approved by WinGD.

5.4 Propulsion control systems

Approved propulsion control systems comprise the following independent sub-systems:

- Remote Control System (RCS)
- Safety system
- Telegraph system

The safety and the telegraph systems work independently and are fully operative even with the RCS out of order.

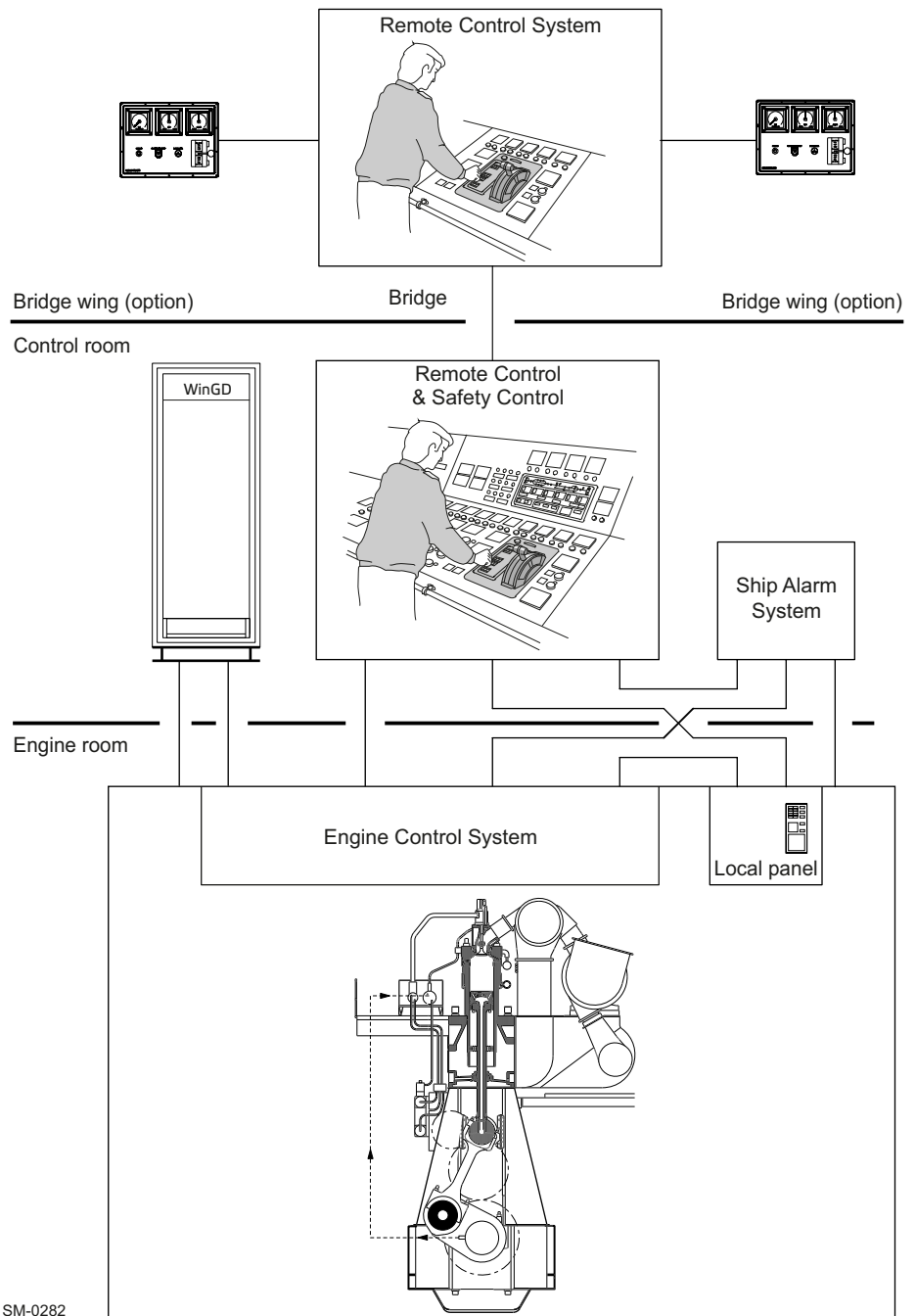
Approved remote control system suppliers

WinGD has an agreement with the marine automation suppliers listed in [Table 5-1](#) concerning development, production, sale and servicing of the RCS and the safety system. All approved control systems listed in this table comprise the same functionality specified by WinGD.

Table 5-1 Suppliers of remote control systems

Supplier		RCS
Kongsberg Maritime		
Kongsberg Maritime AS P.O. Box 1009 N-3194 Horten / Norway	km.sales@kongsberg.com Phone +47 81 57 37 00 www.km.kongsberg.com	AutoChief 600
NABTESCO Corporation		
NABTESCO corp., Marine Control Systems Company 1617-1, Fukuyoshi-dai 1-chome Nishi-ku Kobe, 651-22413 / Japan	newbuilding@nabtesco.com Phone +81 78 967 5361 www.nabtesco.com	M-800-V
Wärtsilä Lyngsø Marine A/S		
Wärtsilä SAM Electronics GmbH Behringstrasse 120 D-22763 Hamburg / Germany	www.sam-electronics.de	Wärtsilä NACOS PCS Platinum
Wärtsilä Lyngsø Marine A/S 2, Lyngsø Allé DK-2970 Hørsholm / Denmark	jan.overgaard@wartsila.com Phone +45 45 16 62 00 www.wartsila.com/lyngsoe	
CSSC-SERI		
CSSC Systems Engineering Research Institute 1 Fengxian East Road Haidian District, Beijing / P.R. China	aba11@163.com Phone +86 10 59516730 http://seri.cssc.net.cn/	CSSC-SERI-RCS- B01

Modern remote control systems consist of electronic modules and operator panels for display and order input in the Engine Control Room (ECR) and on the bridge (see [Figure 5-3](#), [Figure 5-5](#)). The different items normally communicate via serial bus connections. The engine signals described in the DENIS specification are usually connected via terminal boxes on the engine with the electronic modules placed in the ECR.



SM-0282

Figure 5-3 Remote control system

The electronic modules are in most cases built to be placed either inside the ECR console, or in a separate cabinet to be located in the ECR. The operator panels are to be inserted in the ECR console's surface

5.4.1 Functions of the propulsion control system

Remote control system

- Main functions**
- Start, stop, reversing
 - Speed setting
 - Automatic speed program
- Indications**
- The RCS is delivered with control panels for local, ECR and bridge control, including all necessary order input elements and indications, e.g. push buttons/switches and indication lamps or alternatively a respective display.
 - The following conditions in the engine are specified by DENIS to be indicated as a minimum:
 - In the control room:
 - Starting air pressure
 - Engine speed
 - Revolutions
 - Operating hours
 - Load
 - Turbocharger speed
 - Scavenge air pressure in air receiver
 - On the bridge:
 - Starting air pressure
 - Engine speed
 - In addition to these indications, the RCS applied to the common rail system engine includes displaying the primary values from the ECS, like fuel pressure, servo oil pressure, etc.

Safety system

- Main functions**
- Emergency stop
 - Overspeed protection
 - Automatic shut-down
 - Automatic slow-down

Telegraph system

- Order communication between the different control locations

Local manual control

- Local manual control of the engine is performed from a control panel located on the engine. The panel includes elements for manual order input and indication for the safety system, telegraph system and ECS.
- The local control box with the local manual control panel is included in the package delivered by approved RCS suppliers.

ECR manual control panel

- A manual control panel delivered together with the PCS and fitted in the ECR console allows operating the engine manually and independently of the RCS.
- The functions of the ECR manual control are identical to the control functions on the engine's local control panel.

Options

- Bridge wing control
- Command recorder

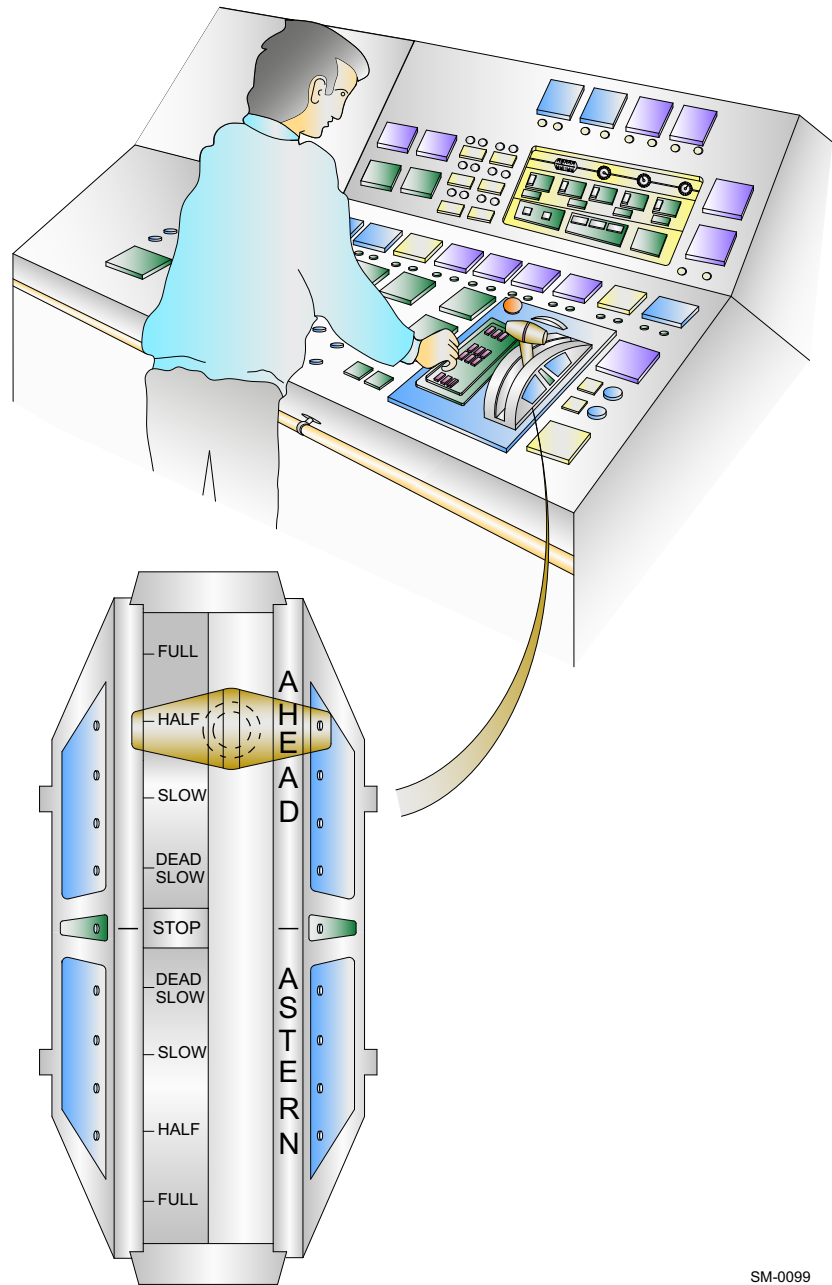


Figure 5-4 Propulsion control

SM-0099

5.4.2 Recommended manoeuvring characteristics

The vessel speed is adjusted by the engine telegraph. Manoeuvring, e.g. for leaving a port, is available from full astern to full ahead. For regular full sea operation, the engine power can be further increased up to 100% CMCR power.

To protect the engine, any increase or decrease in power is limited by a rate of change, considering the warm-up respectively cool-down times. Therefore, depending on the magnitude of any change in power, it takes time to reach the required engine output; see the graphs and tables in this section (5.4.2).

For FPP installations: Recommended values for the manoeuvring positions in percentage of CMCR speed			For CPP installations: Recommended values for the manoeuvring positions in percentage of CMCR power		
60 - 70	FULL	AHEAD	22 - 34	FULL	AHEAD
45 - 55	HALF		9 - 17	HALF	
35 - 45	SLOW		4 - 9	SLOW	
25 - 35	DEAD SLOW		1.5 - 4.5	DEAD SLOW	
	STOP		STOP		
25 - 35	DEAD SLOW	ASTERN	1.5 - 4.5	DEAD SLOW	ASTERN
35 - 45	SLOW		4 - 9	SLOW	
45 - 55	HALF		9 - 17	HALF	
60 - 70	FULL		22 - 34	FULL	

SM-0213

Figure 5-5 Manoeuvring speed/power settings for FPP/ CPP installations

FPP manoeuvring steps and warm-up times

The recommended manoeuvring steps and warm-up times for engine speed increase are indicated in [Table 5-2](#). The engine speed-up/down program is included in the ECS.

Table 5-2 Recommended manoeuvring steps and warm-up times for FPP

Manoeuvring position	Recommended CMCR speed [%]	Corresponding power [%]	Recommended warm-up time per load step [min]	Min. warm-up time per load step [min]
DEAD SLOW	25 - 35	1.5 - 4.5	0	0
SLOW	35 - 45	4 - 9	0	0
HALF	45 - 55	9 - 17	0.1	0.1
FULL	60 - 70	22 - 34	0.5	0.5
FULL SEA 1	92	78	40	30
FULL SEA 2	100	100	50	38

Load reduction is possible in half the time of values mentioned in [Table 5-2](#).

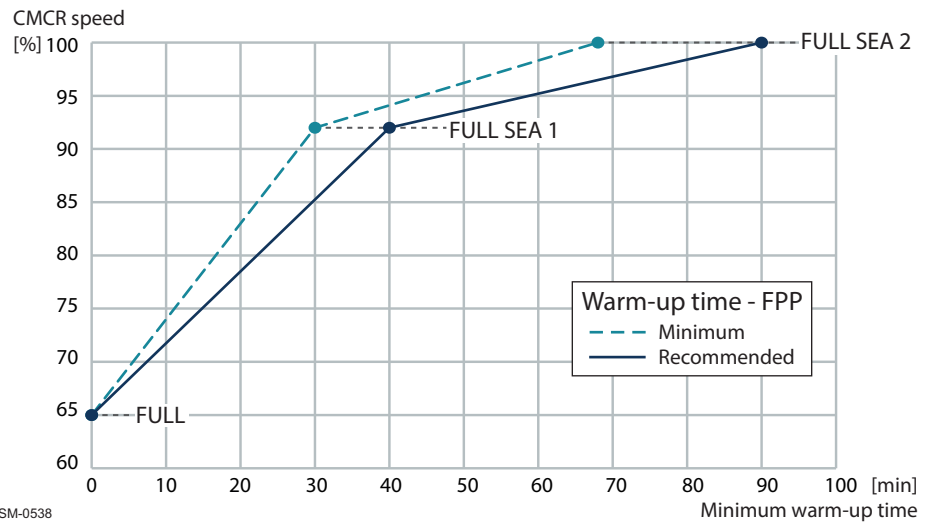


Figure 5-6 Full sea load steps in FPP load-up program

NOTE After reaching 100% CMCR speed (FULL SEA 2), the speed can be further increased according to the load-up program. This can be carried out until the engine reaches the maximum speed (see the speed limit lines in [Figure 2-3](#), [2-6](#)), while taking into account the light running margin (see [Light running margin](#), [2-5](#)).

CPP manoeuvring steps and warm-up times

The recommended manoeuvring steps and warm-up times for engine power increase are shown in [Table 5-3](#). The shipyard needs to include the engine power-up/down program in the PCS.

Table 5-3 Recommended manoeuvring steps and warm-up times for CPP

Manoeuvring position	Recommended CMCr power [%]	Recommended warm-up time per load step [min]	Min. warm-up time per load step [min]
DEAD SLOW	1.5 - 4.5	0	0
SLOW	4 - 9	0	0
HALF	9 - 17	0.1	0.1
FULL	22 - 34	0.5	0.5
FULL SEA 1	78	40	30
FULL SEA 2	100	50	38

Load reduction is possible in half the time of values mentioned in [Table 5-3](#).

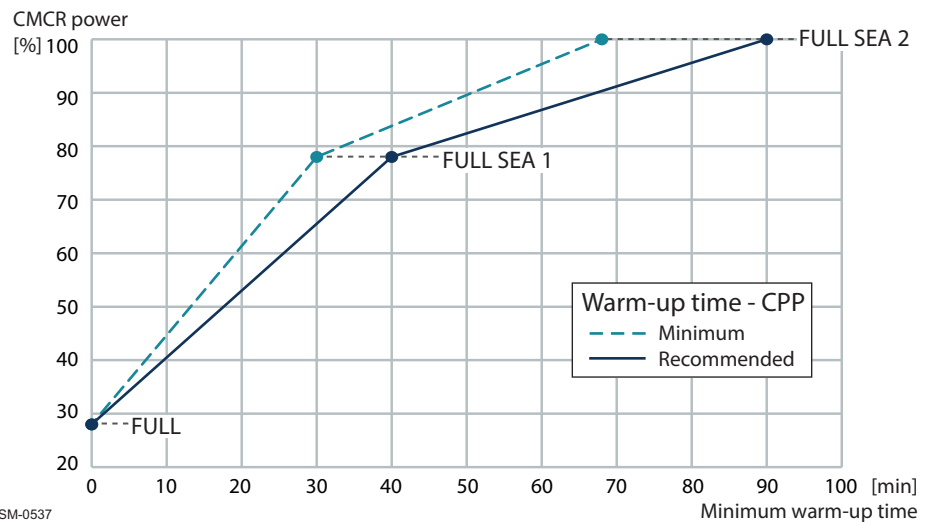


Figure 5-7 Full sea load steps in CPP load-up program

5.5 Alarm and monitoring system

To monitor common rail system-specific circuits of the engine, sensors with hardwired connections are fitted. In addition to that, the engine control system provides alarm values and analogue indications via data bus connection to the ship's alarm and monitoring system.

5.5.1 Integrated solution

PCS and AMS
from same supplier

- The PCS and AMS are connected to the ECS through one redundant bus line (CANopen or Modbus, depending on automation maker).
- The integrated solution allows an extended presentation of relevant parameters and easy access to alterable user parameters backed by the graphical user interface functions available in the AMS.
- With the AutoChief 600 Alarm and Monitoring System by Kongsberg Maritime even the conventional sensors and additional Flex system-specific sensors can be connected via data bus lines, and the data acquisition units can be mounted on the engine in the same boxes used as terminal boxes for any other AMS. These boxes are usually provided by the shipyard and have to be delivered to the engine builder for mounting on the engine and connecting to the sensors.
- The integrated solution facilitates commissioning and testing of the alarm signals set on the engine maker's testbed and limits the wiring at the shipyard to a few power cables and bus communication.

5.5.2 Split solution

PCS and AMS
from different suppliers

- The PCS is connected to the ECS through two redundant bus lines (CANopen or Modbus, depending on automation maker).
- For the separate AMS an additional redundant Modbus connection is available.
Requirements for any AMS to be fulfilled in a split solution:
 - Possibility to read values from a redundant Modbus line according to standard Modbus RTU protocol
 - Ability to display analogue Flex system values (typically 20 values) and add alarm values provided by the ECS to the standard alarm list (300-800 alarms depending on engine type and number of cylinders)

With this solution the HMI is split as well:

- The remote control system includes the following functions:
 - Changing of parameters accessible to the operator
 - Displaying the parameters relevant for engine operation
- The alarm and monitoring system includes the display of:
 - Flex system parameters such as fuel pressure, servo oil pressure, etc.
 - Flex system alarms provided by the ECS
- WinGD provides Modbus lists specifying the display values and alarm conditions as part of the DENIS specification.

5.6 Alarm sensors and safety functions

To ensure safe operation the engine is provided with alarm sensors and safety functions.

5.6.1 Signal processing

Signal processing has to be performed in the alarm and monitoring system. WinGD provides a separate document named 'Usual values and safeguard settings', which lists the signal indication values. This includes the alarm function and alarm level with corresponding setting and response time.



The document **Usual values and safeguard settings** for the WinGD X72-B can be found under the following link:

[*Usual values and safeguard settings*](#)

Please note that the signalling time delays given in this document are maximum values. They may be reduced at any time according to operational requirements. When decreasing the values for slow-down times, the delay times for the respective shut-down functions are to be adjusted accordingly.

NOTE

The delay values are not to be increased without the written consent of WinGD.

5.6.2 Requirements of WinGD and classification societies

The scope of delivery of alarm and safety sensors has to cover the requirements of the respective classification society, WinGD, the shipyard and the owner. For the list of classification societies see section 9.1, [9-1](#).

The alarm sensors and safety functions listed in the document [*Usual values and safeguard settings*](#) are mandatory for an unattended machinery space and reflect the minimum requirements of WinGD. For additional requirements from the classification societies see [Table 5-4](#).

NOTE

In case the engine has been configured for attended machinery space, please consult the respective classification society.

Table 5-4 Additional class requirements for alarm sensors and safety functions

Table under preparation

5.7 WinGD Integrated Digital Expert (WiDE)

The WinGD Integrated Digital Expert (WiDE) provides full awareness of the ship's operating condition and allows operators to take necessary actions to control and optimise ship operations. The shore connection allows the ship's operator to manage and optimise fleet operations.

WiDE constantly collects all engine signals together with ship navigation data making them available both on board and onshore. Engine data is collected and analysed by the engine diagnostic algorithms of WiDE to monitor engine performance, predict component malfunctions and to support the crew with live troubleshooting and a diagnostic advisory service. WiDE also enhances remote troubleshooting support by WinGD experts.

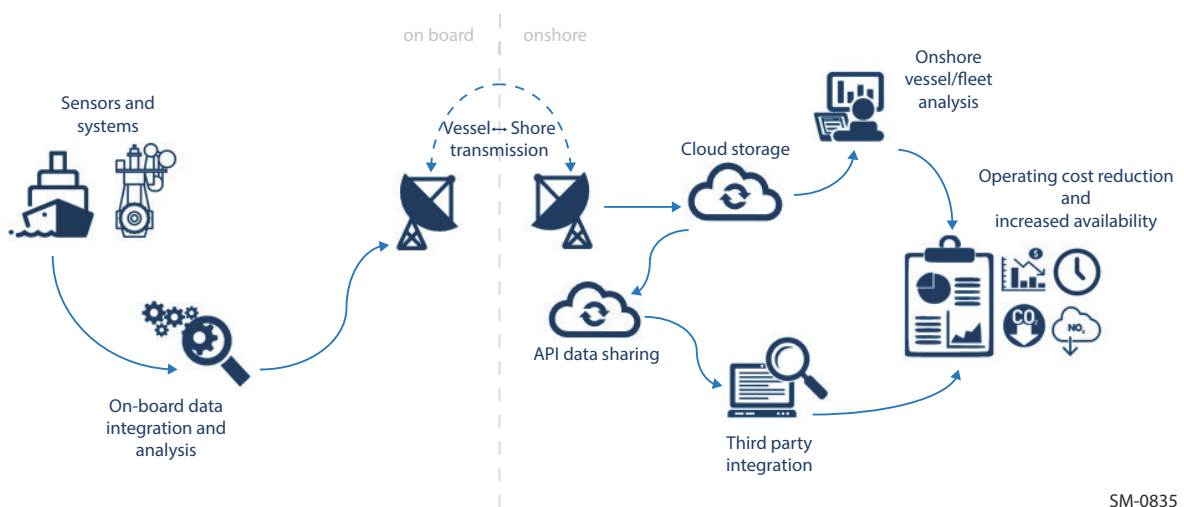


Figure 5-8 The WiDE data collection and analysis process

SM-0835

5.7.1 Data collection

WiDE collects engine and other ship data, which is stored on board by the WiDE computer, enabling the crew to display and review trends of key engine parameters.

Data collected by WiDE is sent via a secure encrypted communication channel to the WinGD server. The data is made available on two dedicated web portals (eVesselTracker, WiDE online) accessible by a protected user account. WinGD experts review engine data when required, as a first step of remote operation support. The WiDE computer is delivered as standard with WinGD engines.

5.7.2 Engine diagnostic module

The engine diagnostic module of WiDE analyses the engine data against predefined references in real time, identifying deviations between the measured and reference data. The results are then consolidated and potential issues are highlighted to the crew. Recommendations are provided for corrective actions, allowing operators to improve engine operation and optimise engine performance and maintenance planning. Spare parts information is provided to support maintenance.

Analysis WiDE analyses the engine data to obtain a full diagnostic assessment using several methods:

- The ‘digital twin’, an engine thermodynamic model which is calibrated at the engine’s shop test and sea trial, receives and is simulated by real-time engine parameter inputs. This provides an ongoing performance assessment by measuring deviations between the digital twin and the real engine.
- An algorithm rule set, which is based on WinGD’s expert knowledge, is used to monitor, analyse and diagnose the health of engine components
- Data monitoring and collection also enables a progressive performance evaluation and improvement

Prediction and troubleshooting

The real time engine analysis performed by WiDE provides an early anomaly detection warning. If a potential fault is diagnosed, the operator is notified, enabling them to decide on immediate action. The WiDE troubleshooting process is described in the following sequence:

- Initial proposed actions follow the directions of the engine operation manual
- If required, WiDE enables connection to WinGD experts for technical support and remote troubleshooting
- WiDE also creates relevant reports for future reference

Support

In addition, WiDE maintains a record of events on the main engine and has a module to support planned maintenance. Spare parts required for maintenance tasks can be listed. This checks the available stock level and provides orders accordingly.

Software availability

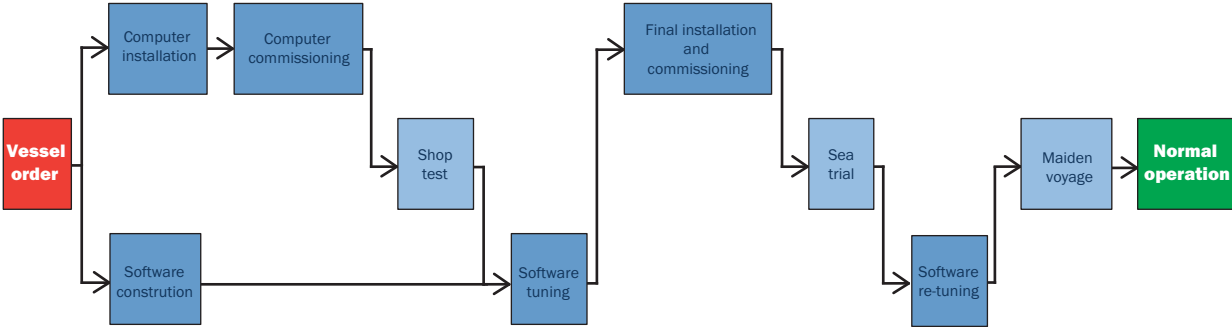
WinGD provides the WiDE engine diagnostic software on a ‘Software-as-a-Service’ basis. The software license is provided as part of an annual subscription plan that includes other services such as troubleshooting support, performance reports and recommendations from WinGD experts.

For more information regarding subscription plans and services offered by WinGD, please contact the WinGD representative or visit the WinGD webpage using the following link:

<https://www.wingd.com/en/digital-solutions/wide/>

5.7.3 The WiDE installation process

Figure 5-9 shows the installation steps of WiDE. The WiDE computer is installed before the shop test as the data it collects provides the information required for the engine’s digital twin. The process ensures that the WiDE system is fully operational by the time of the vessel’s maiden voyage.



SM-0497

Figure 5-9 The WiDE installation process

5.8 The intelligent combustion control

Intelligent Combustion Control (ICC) is a set of automatic cylinder pressure control functions in the ECS, which enable safe and reliable engine operation according to original shop test performance. ICC functions stabilise and optimise the fuel combustion process to achieve the required engine power and fuel consumption within emissions limits.

5.8.1 ICC control functions

ICC consists of three functions to control cylinder pressure. In all cases, the range by which the system can offset the control parameter is limited to maintain emissions requirements and prevent engine damage.

Compression balancing

The ECS automatically calculates and adjusts the cylinder compression pressure via a unique exhaust valve closing angle offset for each cylinder. This achieves consistent compression pressure across all engine cylinders.

Firing balancing

The ECS automatically adjusts cylinder firing pressures to be consistent across all cylinders by varying the injection begin angle by a unique offset for each cylinder.

Firing control

The ECS automatically offsets injection begin angles so that firing pressures match testbed values. The offset is the same for all engine cylinders.

5.8.2 ICC activation modes

In normal operation, it is recommended to keep all available control options ON. In some circumstances it can be helpful to turn individual modes OFF, such as:

- Problems with a cylinder unit (e.g. fuel injection, exhaust valve or ECS issues)
- Loss, damage or drift of two or more cylinder pressure sensors
- Extreme weather conditions which may lead to unstable control
- Running-in or recovery of the cylinder liner
- During troubleshooting

In case of a single damaged cylinder sensor, ICC controls are only deactivated on the unit where the sensor failed.

5.8.3 ICC data

Cylinder pressure sensors installed on each cylinder provide real-time measurement data for ICC, which is used to supply the following information.

- Compression pressure** Direct measurement of the compression pressure of each cylinder is not possible. For this reason, the individual compression pressure is calculated based on the measured cylinder pressure during the compression phase of each cylinder. Compression pressure is processed during each cycle and over the full engine power range. An average value of all units' compression pressures is also calculated.
- Firing pressure** Peak firing pressure is directly measured for each cylinder. An average value of all firing pressures is also calculated.
- Firing pressure angle** The crankshaft angle of the peak firing pressure is measured for each cylinder. An average value of all cylinders is also calculated.
- ISO corrected firing pressure** ISO corrected firing pressure is calculated at all engine loads based on the IMO technical file [Figure 5-10](#). These pressures are dependent on the engine tuning and require additional ISO correction sensors:

- Two scavenge air temperature sensors, located after the scavenge air cooler. These sensors provide actual scavenge air temperatures.
- Two barometric pressure sensors, located next to the turbocharger (or between the turbochargers in case of multiple turbochargers). These sensors provide the ambient air pressure.
- Two air temperature sensors, located next to the turbocharger (or between the turbochargers in case of multiple turbochargers). These sensors provide the ambient air temperature.

This ISO correction is only applied with firing control.

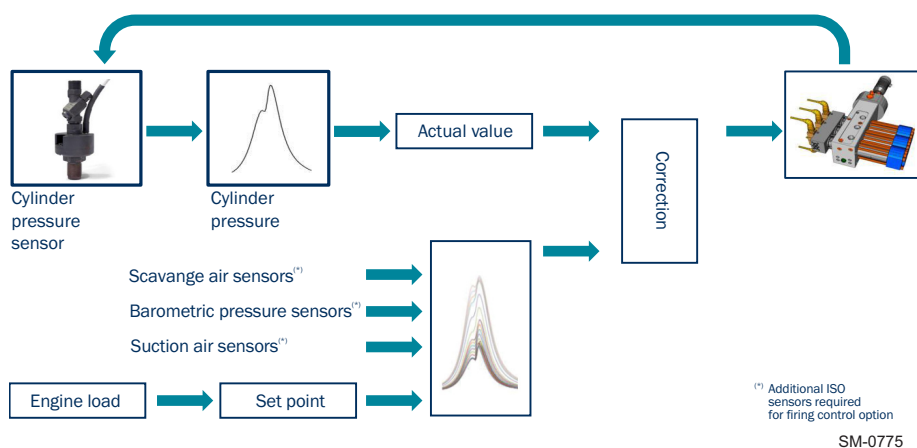


Figure 5-10 The ICC system

6 Engine Dynamics

It is critical that vibration is minimised throughout the design and construction stage of any engine installations. The assessment and reduction of vibration are subject to continuous development and research, requiring expert knowledge. For successful design, vibration behaviour calculations are required over the whole operating range of the engine and the propulsion system. As such, WinGD has developed extensive computer software, analytical procedures and measuring techniques.

NOTE

WinGD provides additional support services to assist with system dynamics and vibration analysis. For additional information about forms and links, please see section 6.9, [6-26](#).

Forces and moments causing vibrations

Within the engine, various forces and moments are generated by the reciprocating and rotating masses. Often these cyclical forces and moments are neutralised by counterbalancing within the engine. However, if this is not achieved the engine will experience the sum of these forces and moment as external responses, reacting around its own axis and causing vibrations outside of the engine. Vibrations are problematic, especially if a vibration frequency forces a resonance, causing an amplitude to pass acceptable limits. This section highlights the importance of dynamic consideration, the causes and relevance.

After considering the external forces and moments types, this section explores the resulting vibration, along with recommended considerations and countermeasures relevant to engine type and other associated systems and design features.

Types of vibration

The vibration types considered in this section are as follows:

- External mass forces and moments
- External lateral forces and moments (Lateral engine vibration or 'rocking')
- Longitudinal engine vibration
- Torsional vibration of the shafting
- Axial vibration of the shafting
- Whirling vibration of the shafting
- Hull vibration

Dynamic characteristics data

The external forces and moments generated by a specific engine defines its dynamic characteristics. These must be considered throughout the design process of the vessel to avoid adverse impact on the vessel.



In the document **External forces and moments** WinGD provides a complete list of the external forces and moments for each engine type. The latest version of this document is provided on the WinGD webpage under the following link:

[External forces and moments](#)

The external forces and moments for engines not tuned to an R1 rating are available on request.

6.1 External mass forces and moments

The external mass forces and moments are the resulting forces and moments produced by reciprocating and rotating masses of the running gear (i.e. the engine's main oscillating masses) that are transmitted to the surrounding vessel via the foundation. Therefore, this does not consider forces and moments that are produced by combustion forces (see section 6.2, 6-6). The external mass forces and moments depend on the design of a specific engine and the engine speed. The engine power and tuning has no influence on the external mass forces and moments.

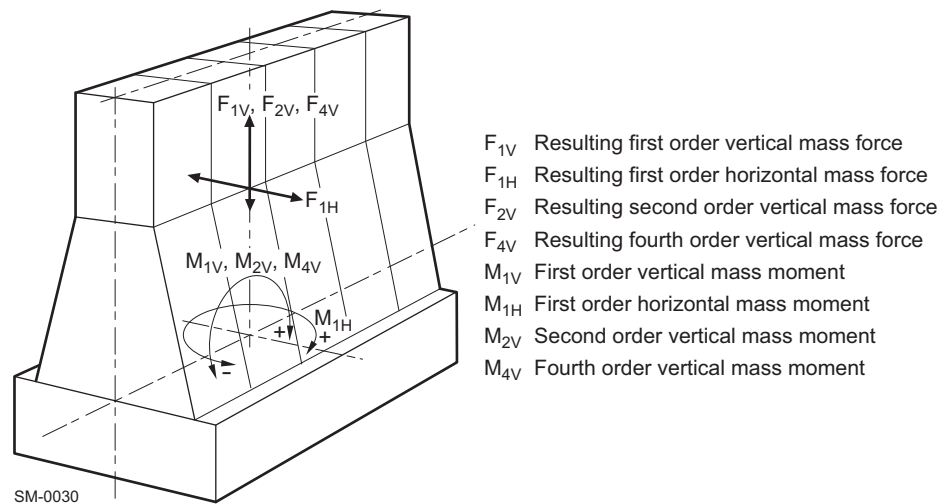


Figure 6-1 External mass forces and moments

Figure 6-1 shows the mass forces and moments generated by the engine. However, where possible these are neutralised. If not, cyclical generation of the external mass forces and moments may lead to unwanted and disturbing vibrations throughout the vessel. This highlights the importance of using countermeasures that balance out the generated mass forces and moments where possible.

6.1.1 Balancing of mass forces and moments

Forces

With a regular firing order of evenly distributed crank angles, an engine will inherently balance the summation of all vertical (F_V) and horizontal (F_H) free forces. Sometimes the firing order is designed to be irregular, i.e. unevenly distributed crank angles, to optimise the overall vibration characteristic of a specific engine type. Regardless, the resulting mass forces are considered to be negligible.

First order moments

First order mass moments (M_{1V} and M_{1H}) can be reduced to acceptable levels by introducing standard counterweights, fitted to the ends of the crankshaft. In special cases non-standard counterweights can be used to reduce either vertical (M_{1V}) or horizontal (M_{1H}) first order mass moments as required.

Standard counterweights fitted to the ends of the crankshaft reduce the first order mass moments to acceptable limits. However, in special cases non-standard counterweights can be used to reduce either M_{1V} or M_{1H} .

Second and fourth order moments

Second (M_{2V}) and fourth (M_{4V}) order vertical mass moments are also generated, although these magnitudes will vary depending on engine type, tuning, and number of cylinders. Unless a problematic vessel design leads to unfavourable vibration, there is normally no cause for concern for engines with 7 cylinders or more. However, 5- and 6-cylinder engines are known to generate high magnitudes of unbalanced second order vertical mass moments (M_{2V}) and should therefore be carefully considered. Consequently, for 5- and 6-cylinder engines, WinGD strongly recommends that the impact of the second order vertical mass moment on the vessel is carefully checked. In cases where the investigation reveals a possible problem, WinGD recommends to consider the installation of one of the following countermeasures, designed to reduce the effects of second order vertical mass moments to acceptable values.

6.1.2 Countermeasures for second order vertical mass moments

WinGD strongly recommends the use of either of the following countermeasures for 5- and 6-cylinder engines:

- Engine-fitted electric balancer(s) (iELBA)
- An electrically-driven compensator, fitted to the ship's structure

These countermeasures should also be considered for other cylinder number engines if the second order vertical mass moments (M_{2V}) surpass the necessary limits. However, suitability will vary for different engines and vessel design, as well as the status of the project, i.e. still in design phase, or retrofitting.

Second-order excitations of the engine are not harmful to the engine, but can cause problems if they excite ship hull girder vibrations. Hull vibration analyses must be done to judge whether second order balancing (iELBA or external) is required. These analyses are the responsibility of the shipyard. The installation of iELBAs by default, without proper vibration analyses, is a safe solution only if two iELBAs are installed on the engine. The installation of a single free end iELBA must be made on the basis of a detailed shipyard analysis.

NOTE

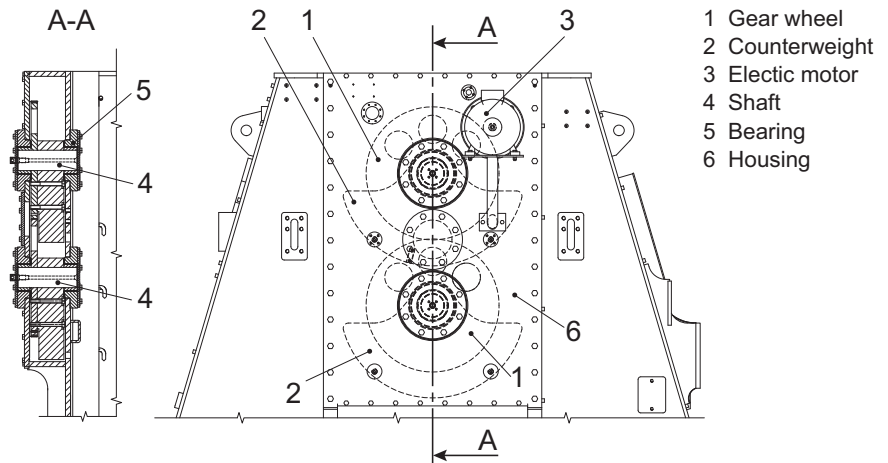
While the installation of two iELBAs is a safe solution, the lack of appropriate analyses can lead to adverse effects if a single iELBA is installed. These analyses are the responsibility of the shipyard during the design phase of the ship.



For additional details on second order moment balancing, see the [*2nd-order ship hull vibrations and balancing*](#)

Integrated electrical balancer (iELBA)

The iELBA is structurally integrated into the engine and is installed on the free end and/or driving end. Each iELBA is comprised of two shafts with counterweights, connected with gear wheels and driven by one electric motor. A frequency converter controls the speed of the electric motor. This frequency converter and the control system are installed in an electrical cabinet in the control room. Alternatively, these items can be installed in the engine room.



SM-0272

Figure 6-2 Major components and details of the iELBA

If the mode shapes of the vertical hull girder vibrations are known, it might be possible to install only one iELBA on one of the engine sides. The calculation of the vertical hull girder frequencies, the corresponding mode shapes and consequently the decision on the number of iELBA systems to be installed is in the responsibility of the shipyard.

NOTE

The iELBA system cannot be retrofitted to the engine. The iELBA must be ordered, designed and implemented on engine before manufacturing commences.

Electrically-driven compensator (external compensator)

Alternatively, or if the ship’s vibration pattern is not known at an early stage, an electrically-driven compensator can be installed or retrofitted if disturbing second order vibrations should occur. As seen in Figure 6-3, such a compensator is usually installed in the steering gear compartment. It is tuned to the engine operating speed and controlled accordingly.

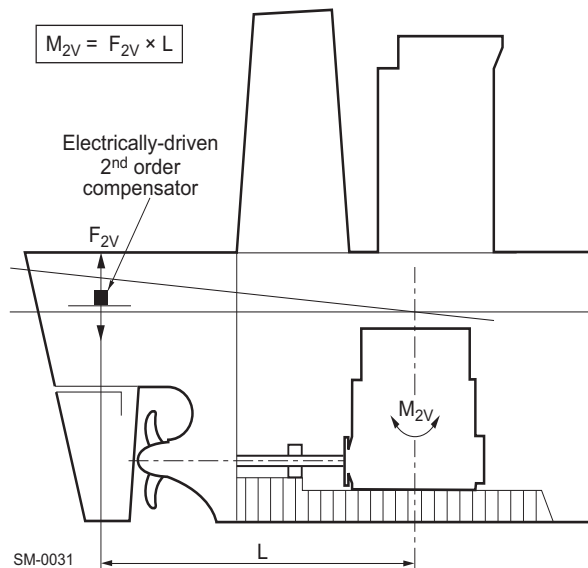


Figure 6-3 Locating an electrically-driven compensator

Power related unbalance

The power related unbalance (PRU) values can be used to estimate the risk of unacceptable levels of hull vibrations caused by external mass moments of first and second order. The PRU is calculated with the following formula:

$$PRU = \frac{M_x (Nm)}{\text{Engine Power (kW)}}$$

Formula 6-1 Power related unbalance calculation

where:

PRU = power related unbalance

M_x = M_{2V} (typically), M_{1H} & M_{1V} (considered as well)

The M_x and the resulting PRU values of an engine are dependent on the number of cylinders and tuning option.



The resulting PRU values are graphically displayed in the link below, along with the likelihood of needing a compensator.

External forces and moments

The link provides dynamic characteristics data for engines tuned at R1 rating. For other engine speeds, the corresponding external mass moments are calculated with the following formula:

$$M_{x(CMCR)} = M_{x(R1)} \cdot \left(\frac{n_{CMCR}}{n_{R1}} \right)^2$$

Formula 6-2 External mass moments calculation for R_x rating

where:

$M_{x(CMCR)}$... = resulting moments for a specific engine's CMCR

$M_{x(R1)}$ = moments for engine at R1 rating

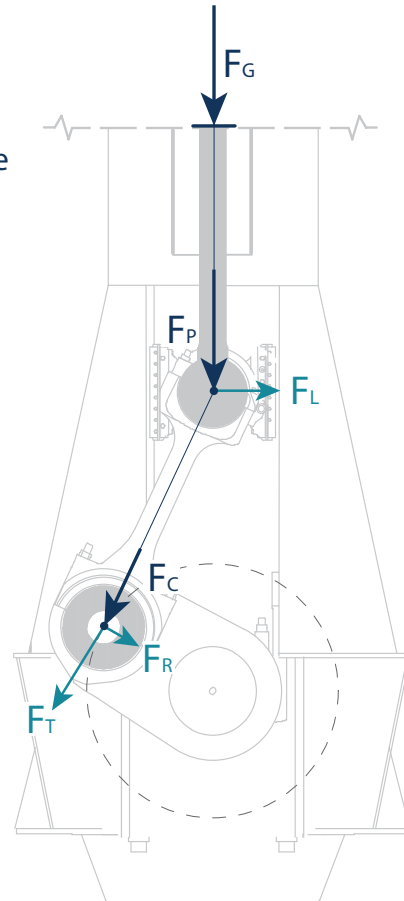
n_{CMCR} = speed of engine for a specific engine's CMCR

n_{R1} = speed of engine at R1 rating

6.2 External lateral forces and moments

The external lateral forces and moments (lateral engine vibrations resulting in 'rocking') are generated by the combustion process and to a small extent by the reciprocating masses of the running gear. The lateral forces depend on the CMCR, tuning, and engine speed.

- F_G = Gas force
- F_P = Piston force
- F_C = Connecting rod force
- F_L = Lateral force
- F_R = Radial force
- F_T = Tangential force



SM-0514

Figure 6-4 Forces through the engine

The forces between the piston and the connecting rod reaction cause a lateral force to act on the crosshead guide rails. The lateral forces at the guide rails are transmitted to the engine block and to the foundation.

The resulting lateral forces and moments may excite resonances of the combined engine and foundation system. In addition, hull resonances or local vibrations in the engine room may be generated.

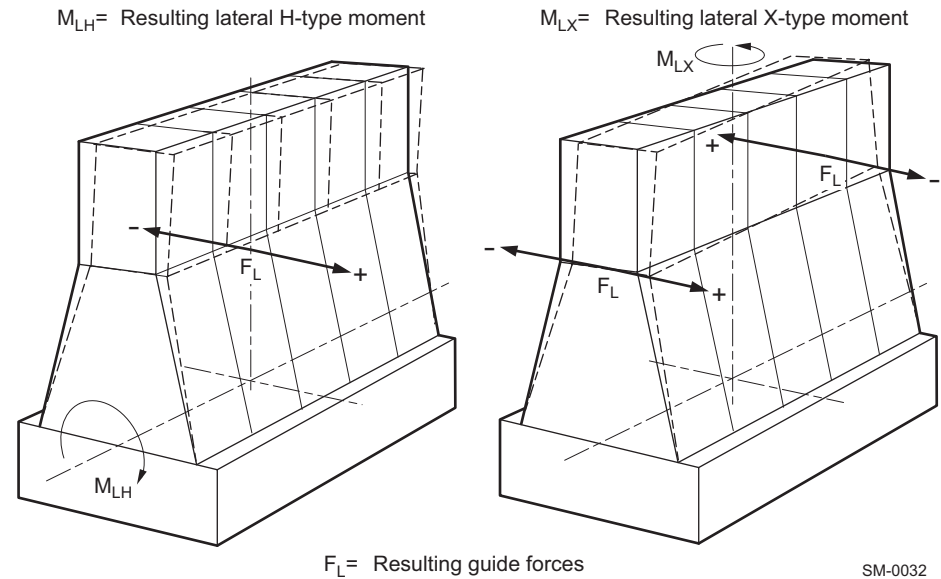
6.2.1 Lateral vibration types

The resulting lateral forces and moments generate two different modes of lateral engine vibration, the H-type and X-type vibration; refer to [Figure 6-5](#).



The table of H-type and X-type vibration values is also provided in the link below:

[External forces and moments](#)



SM-0032

Figure 6-5 Lateral vibration — X-type and H-type

H-type vibration

H-type lateral vibrations are characterised by a mode shape where both sides of the top of the engine, the driving and free end, vibrate together, in phase. The lateral guide forces (F_L) result in a lateral moment, expressed as resulting lateral H-type moment (M_{LH}).

X-type vibration

X-type lateral vibrations are characterised by a mode shape where at the top of the engine, the driving and free ends vibrate in counter-phase to each other. As these resulting lateral guide forces create opposing axial moments at the two ends of the engine, the X-type lateral vibrations are expressed as a moment around the vertical axis, the resulting lateral X-type moment (M_{LX}).

6.2.2 Reduction of lateral vibration

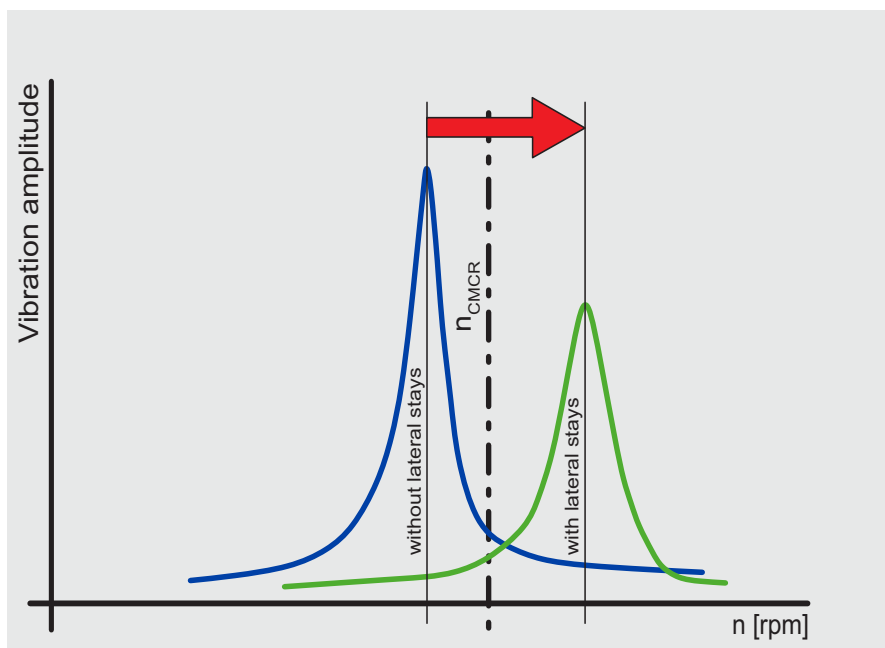
The amplitudes of the vibrations transmitted to the hull depend on the design of the engine seating, frame stiffness and exhaust pipe connections. As the amplitude of the vibrations cannot be predicted with absolute accuracy, the support to the ship's structure and the space required to install the stays must be considered in the early design stages of the engine room structure. This is true for both lateral and longitudinal vibrations, which are further discussed along with relative reduction methods in the subsections that follow.

NOTE

WinGD recommends a stiff engine foundation design in the longitudinal and lateral directions, as this is always best practice in minimising hull vibrations.

Lateral stays

If required, lateral stays (i.e. stays in the lateral direction) must be fitted between the upper engine platform and the ship hull to prevent harmful resonance conditions. The main function of lateral stays is to shift the resonance frequency sufficiently above nominal speed as shown in [Figure 6-6](#).



SM-0794

Figure 6-6 Lateral stays shifting the resonance frequency above nominal speed

NOTE

If lateral stays are required, WinGD requests installation of hydraulic type stays. These are available from third-party suppliers.

In addition, if hydraulic type stays are installed, as requested by WinGD, then a damping effect is provided by these stays.

Such hydraulic type stays can be either for both-side or one-side installation:

- Hydraulic type stays for one-side installation have two oil chambers (one on each side of the piston) and provide in this regard a 'damping effect' in both directions.
- Hydraulic type stays for both-side installation have an oil chamber on one side of the piston and an air chamber on the other side. The air chamber provides little to no damping effect.

The two general arrangements for both stay types are shown below in [Figure 6-7](#) and [Figure 6-8](#).

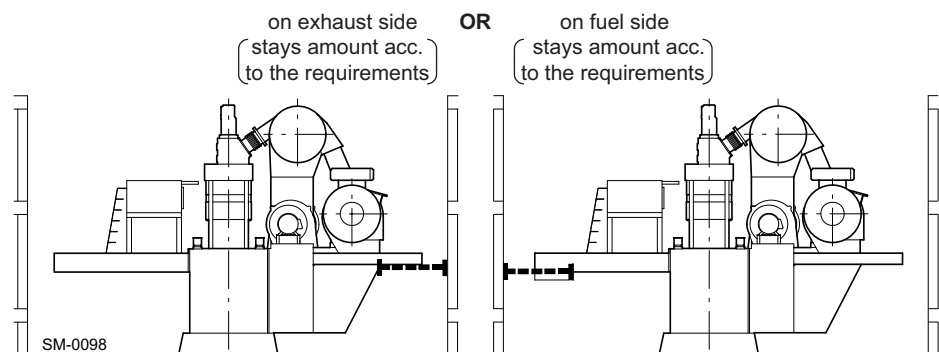


Figure 6-7 General arrangement of hydraulic type stays for one-side installation

NOTE

The selected hydraulic type stays must be suitable for one-side installation on the engine. The suitability of one-side installation must be confirmed by the hydraulic type stay supplier.

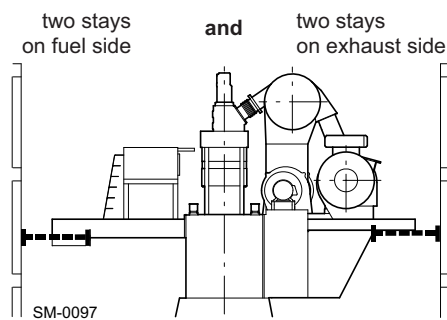


Figure 6-8 General arrangement of hydraulic type stays for both-side installation

Determining the minimum number of required lateral stays

On a scientific basis, the only way to determine the minimum number of required lateral stays (i.e. stays in the lateral direction) is by finite element calculation. This calculation takes into account the exact mass and stiffness properties of the foundation, as well as the aft section of the ship. This dynamic finite element investigation must be executed by the shipyard or a design institute. WinGD does not have these ship hull properties available to perform this extensive investigation.

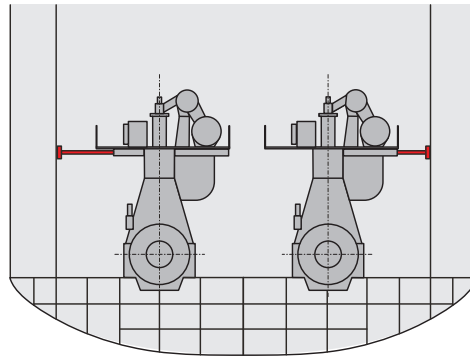
However, based on broad experience with different bore sizes, cylinder numbers, and engine ratings, WinGD provides an alternative approach to determining the minimum number of required lateral stays. WinGD provides the magnitude of the lateral forces and moments resulting from the engine operation at R1 (as shown in *External forces and moments*). Project-specific values are available upon request. The magnitude of the lateral forces and moments is key for determining the minimum number of required lateral stays. Based on individual experience, engine builders and shipyards are free to select a different number of lateral stays.

From the project-specific external forces and moments, the values to consider are the lateral H-type moment (M_{LH}) and the lateral X-type moment (M_{LX}) which, without stays, have a resonance with inadmissible amplitude in the speed range of 70 to 110% of CMCR speed (n_{CMCR}).

Although there may be engines with high lateral excitations displayed on paper, these high values may not be relevant due to a missing resonance condition, and therefore, no stays are required. For example, most of the 7-cylinder engines do not require any lateral stays. This is mainly due to (a) the strong M_{LX} Ord.4 resonance which is located sufficiently above the CMCR speed (n_{CMCR}) and (b) the strong M_{LH} Ord.7 resonance which is located at low speed.

On the other hand, based on experience, most 8-cylinder engines are known to have a very strong M_{LX} Ord.5 resonance which is located close to the CMCR speed (n_{CMCR}), and therefore, lateral stays are mandatory. The same is applicable for 9-cylinder engines that also have a very strong M_{LX} Ord.6 resonance which is located slightly above the CMCR speed (n_{CMCR}).

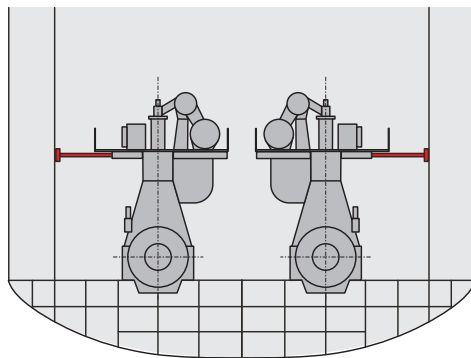
On twin-engine installations, the lateral stays must be attached on the outboard side of the engines towards the ship hull. Depending on whether the engine is a standard or a left engine (see [Figure 6-9](#), [6-11](#) and [Figure 6-10](#), [6-11](#)), the outboard side can be on the fuel side or the exhaust side.



Installation of lateral stays on the fuel and exhaust side with:
Two STANDARD engines

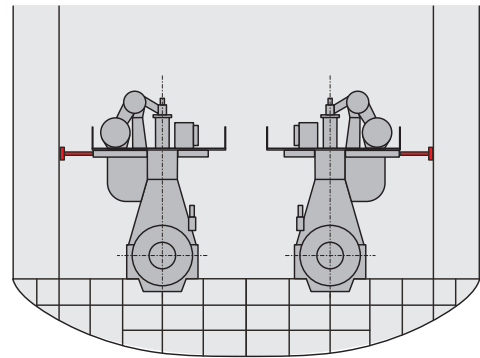
SM-0795

Figure 6-9 Twin-engine installations with two standard engines



Installation of lateral stays on the fuel side with:
A STANDARD engine on the port side and
a LEFT engine on the starboard side

SM-0796



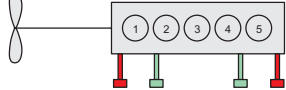
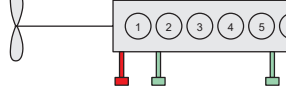
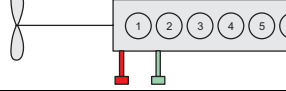
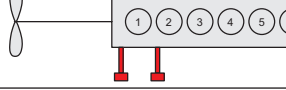
Installation of lateral stays on the exhaust side with:
A LEFT engine on the port side and
a STANDARD engine on the starboard side

Figure 6-10 Variants of twin-engine installations with a standard and a left engine

As shown in [Figure 6-11](#), [6-12](#), [Figure 6-12](#), [6-12](#), and [Figure 6-13](#), [6-13](#), WinGD recommends a specific number of lateral hydraulic type stays for installation on:

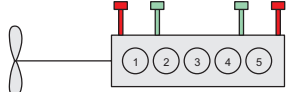
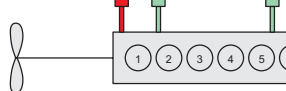
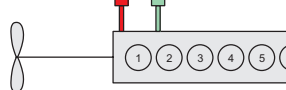
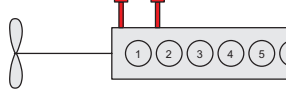
- The engine's exhaust side or
- The engine's fuel side or
- Both engine sides

As the project-specific design of the ship hull and engine foundation may vary in some cases, a different number of hydraulic type stays may be required. The final number of required lateral stays must be specified by the shipyard (e.g. based on experience or on sea trial test results).

No. of cyl.	Available attachment points on the platform of the engine's exhaust side	Recommended number of stays
5		■ Recommended: 2 ■ Optional: +2
6		■ Recommended: 2 ■ Optional: +2
7		■ Recommended: 2* ■ Optional: +2 * Usually no stays are required for 7 cyl.
8		■ Recommended: 4 ■ Optional: -

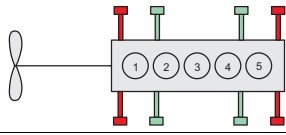
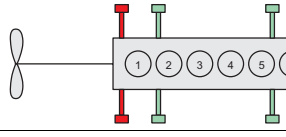
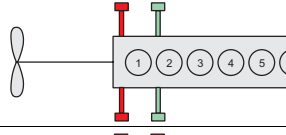
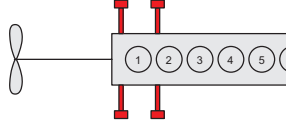
SM-0785

Figure 6-11 Engine stays arrangement on the exhaust side

No. of cyl.	Available attachment points on the platform of the engine's fuel side	Recommended number of stays
5		■ Recommended: 2 ■ Optional: +2
6		■ Recommended: 2 ■ Optional: +2
7		■ Recommended: 2* ■ Optional: +2 * Usually no stays are required for 7 cyl.
8		■ Recommended: 4 ■ Optional: -

SM-0786

Figure 6-12 Engine stays arrangement on the engine's fuel side

No. of cyl.	Available attachment points on the platform of the engine's fuel side & exhaust side	Recommended number of stays
5		<ul style="list-style-type: none"> ■ Recommended: 4 ■ Optional: +4
6		<ul style="list-style-type: none"> ■ Recommended: 4 ■ Optional: +4
7		<ul style="list-style-type: none"> ■ Recommended: 4* ■ Optional: +4 <p>* Usually no stays are required for 7 cyl.</p>
8		<ul style="list-style-type: none"> ■ Recommended: 8 ■ Optional: -

SM-0787

Figure 6-13 Engine stays arrangement on both engine sides

Electrically-driven compensator(s)

If lateral stays cannot be installed, electrically-driven compensators are available to reduce lateral engine vibrations:

- For H-type vibration:
 - One electrically-driven compensator can be installed in the longitudinal centre point of the engine
 - Two phase-synchronised electrically-driven compensators can be applied, one at each end of the engine
- For X-type vibration:
 - Two counterphase-synchronised electrically-driven compensators are necessary, one at each end of the engine

NOTE

Project-specific engine reinforcements must be approved by WinGD prior to installation.

It must be noted that electrically-driven compensators can only compensate one harmonic excitation frequency at a time.

6.3 Longitudinal vibration (pitching)

Strong axial vibrations in the shafting, transmitted from the thrust bearing to the engine structure and foundation, can excite inadmissible longitudinal vibrations at the engine top and as a consequence in the superstructure (refer to section 6.5, 6-19). In any case, to prevent such vibrations, the double-bottom structure should be as stiff as possible in the longitudinal direction.

Reduction of longitudinal vibration (5-cylinder engines)

In general, longitudinal stays are only especially needed on 5-cylinder engines when a shafting layout has a main torsional critical speed above the nominal speed, resulting in strong longitudinal engine vibrations at the top of the engine block. This tends to only occur by using intermediate shafts with oversized diameters, which is no longer common today.

**Longitudinal stays
to prevent vibration
in superstructure**

However, there can be installations where it might be beneficial to install longitudinal stays. This is not because of inadmissible longitudinal vibrations at the engine top but because of possible disturbing longitudinal vibrations in the superstructure, close to nominal speed. By fitting longitudinal stays the disturbing resonance can be shifted above nominal speed.

The decision of whether longitudinal stays are required or not has to be made by the shipyard based on a global ship vibration investigation, or on vibration measurements taken at the top of the engine block and in the superstructure (on the first vessel of a series). They are arranged as shown in Figure 6-14.

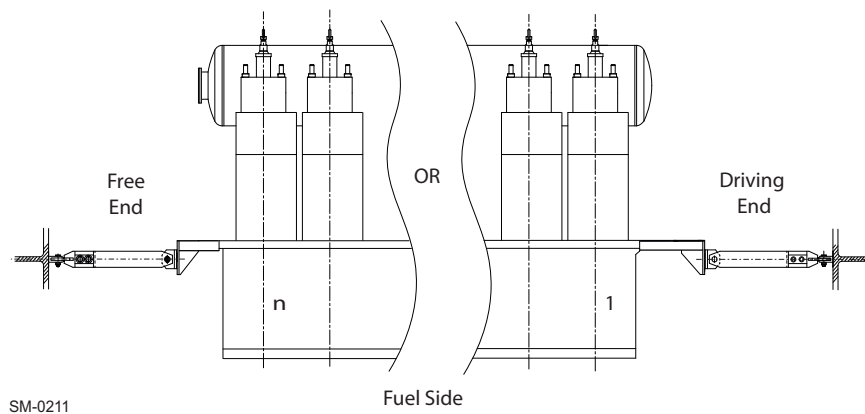


Figure 6-14 Arrangement of longitudinal stays

NOTE

If longitudinal stays are required, WinGD recommends to install friction type stays according to WinGD design or alternatively, hydraulic type stays from third-party suppliers.

Friction type stays

Friction type stays can be installed according to WinGD design, on either the engine's free end or driving end side. The layout of WinGD friction type stays, which is linked to the 'Engine stays' drawing for the application of longitudinal stays, must conform with the specifications. Deviations are not acceptable, especially the friction coefficient of the shim and the disc spring properties, which must follow exact specifications.



For the assembly of friction type stays, please see the latest version of the WinGD **Assembly Instructions** for WinGD friction type stays (DG 9715), which is provided on the WinGD webpage under the following link:

[Assembly instruction - Friction type stays](#)



The layout of friction type stays are as shown in the drawing 'Engine stays' in the *MIDS* (DG 9715).

Hydraulic type stays

Hydraulic type stays can be installed on either the engine's free end or driving end side according to third-party suppliers.

6.4 Torsional vibration

Torsional vibrations are generated by gas and inertia forces as well as by the irregularity of the propeller torque. It does not cause hull vibration (except in very rare cases) and is not perceptible in service, but produces additional dynamic stresses in the shafting system.

The shafting system comprises of the crankshaft, propulsion shafting, propeller, engine running gear, flexible couplings, and power take-off (PTO). The complete assembly of the shafting system must be considered when determining the torsional loads in the system components.

Torsional vibration calculation (TVC)

The torsional loads in the system components are determined by performing a torsional vibration calculation (TVC). The TVC must be done in the early stage for every project.

Across the engine's speed range, all system components must remain within their corresponding torsional vibration load limits. If in a component, the torsional loads exceed the corresponding limit, appropriate countermeasures have to be applied.

The calculation normally requires approval by the relevant classification society and may require verification by measurement on board ship during sea trials. All data required for torsional vibration calculations should be made available to the engine supplier in an early design stage (see section 6.9, [6-26](#)).

Barred speed range (BSR)

At a certain speed range the torsional vibration stresses in the shafting may exceed the limits for continuous operation. If this occurs, a barred speed range (BSR) must be defined. The width of the BSR is defined by the classification society. The BSR must be passed through rapidly and some classification societies have defined rules about the maximum permissible passage time through the BSR. In general, the target is to have a maximum passage time of 30 seconds.

In order to guarantee a rapid passage of the BSR, a minimum power margin of 10% at the upper boundary of the BSR must be present. The power margin is defined as the margin between the bollard pull curve and the engine torque limit.

In any case, within the BSR the torsional shaft stress must not exceed the transient limit, otherwise other appropriate countermeasures have to be taken.

6.4.1 Reduction of torsional vibration

Excessive torsional vibration can be reduced by optimising the shaft diameters, selecting a different (heavier) flywheel, adding a front disc (tuning wheel) to the free end of the crankshaft or adding a torsional vibration damper to the free end of the crankshaft. A torsional vibration damper reduces the torsional stresses by absorbing part of the vibration energy.

Viscous damper*Low-energy vibrations*

Where low-energy torsional vibrations have to be reduced, a viscous damper can be installed (see [Figure 6-15](#), [▣ 6-18](#)). In some cases, the torsional vibration calculation shows that an additional oil-spray cooling for the viscous damper is needed. In such cases the layout must be in accordance with the recommendations of the damper manufacturer and WinGD design department. The viscosity of the silicone oil in the viscous damper must be checked periodically. The interval is specified by the damper manufacturer. For more information, refer to the Operation Manual.

High-energy vibrations

For high-energy torsional vibrations that may occur e.g. on 5- and 6-cylinder engines, a spring type damper with its tuning and damping effect may be considered (see [Figure 6-15](#), [▣ 6-18](#)).

Spring damper

The spring damper must be supplied with oil from the engine's lubricating oil system. Depending on the torsional vibration energy to be absorbed, the damper can dissipate up to 180kW of energy (this will be based on the number of cylinders).

Depending on the installed spring damper, the initial estimated oil flow to the spring damper is approximately 35 m³/h. However, the project-specific oil flow must be provided by the spring damper designer. This project-specific oil flow must be based on the final torsional vibration calculation results.

NOTE

For Geislinger spring dampers, the initial estimated oil flow to the spring damper as well as the project-specific oil flow are provided with a tolerance of ±50%.

In case of uncertainty with regards to the oil flow, WinGD recommends installing the main lubricating oil pumps with a higher flow capacity margin. The arrangement of the lubricating oil system (see [Figure 4-9](#), [▣ 4-18](#)) enables return of excessive oil supply to the lubricating oil drain tank. This is achieved through a pressure retaining valve.

NOTE

For spring damper installation, the application of a damper monitoring system is mandatory.

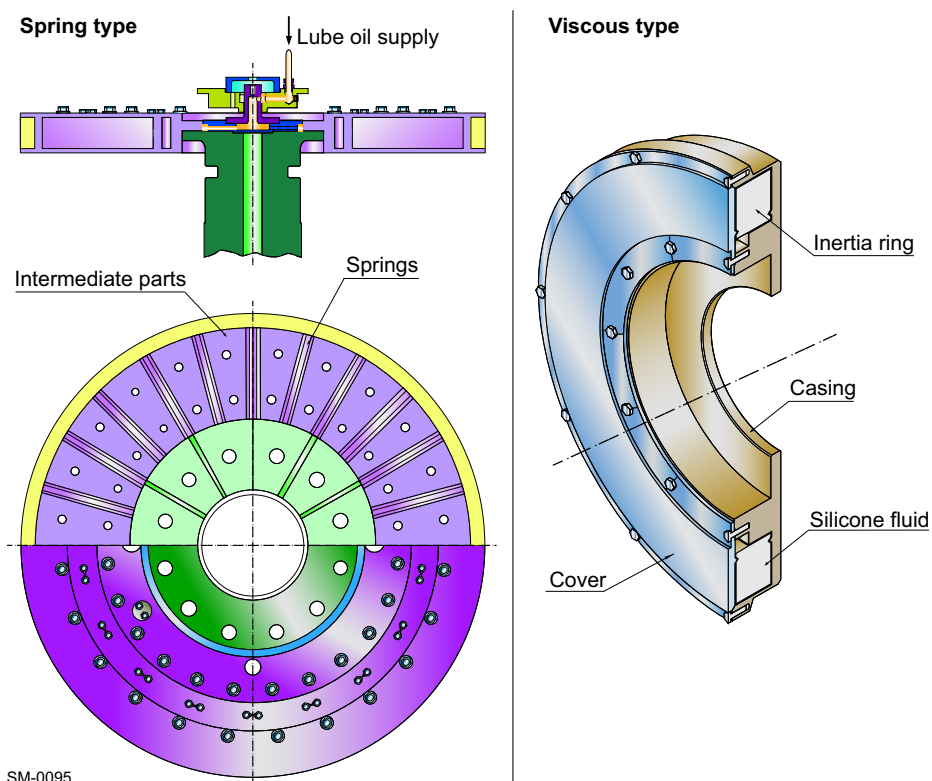


Figure 6-15 Vibration dampers (spring type and viscous type)

6.4.2 PTO/PTI systems effect on torsional vibration

A propulsion plant may include a main engine-driven generator (PTO, power take-off), a shaft-line connected electric motor (PTI, power take-in), or both. These elements are connected to the engine or shafting by clutches, gears, shafts and/or elastic couplings (see [Figure 4-28](#), [4-67](#) for the different arrangements).

Installations with PTO or PTI require special attention in the early stages of a project. These systems may cause torsional vibrations and alignment challenges.

Risk of instable engine speed

For many PTO/PTI systems that use elastic couplings, the lowest torsional natural frequency can be problematic if it is below approximately 1.5 Hz. Here, there is a risk of engine speed instability where the engine constantly adjusts its speed to compensate the rotating vibration; this must be considered and compensated for in the engine speed control system.

Installation of MFD

In addition, such PTO/PTI systems are very sensitive to misfiring as varying firing loads can cause inadmissible torsional vibrations. To protect the elastic couplings and gears from any misfiring, a misfiring detection device (MFD) must be installed. This indicates either partial or total misfiring, allowing for appropriate countermeasures (e.g. speed reduction, de-clutching of PTO/PTI branch) to be applied automatically, protecting the PTO/PTI components.

For additional consideration about PTO/PTI application refer to section [4.10](#), [4-66](#), and for support regarding system layout, please contact WinGD.

6.5 Axial vibration

The axial vibrations mainly depend on the dynamical axial system of the crankshaft, the mass of the torsional vibration damper, and any free-end installations or flywheel fitted to the crankshaft. Additionally, axial vibrations can be considerably influenced by torsional vibrations. This influence is called *coupling effect*.

It is recommended that axial vibration calculations are carried out at the same time as torsional vibration calculations. To consider the coupling effect of torsional vibrations on axial vibrations, it is necessary to apply a suitable coupled axial vibration calculation method.

As the shafting system is made up of masses and elastic connections, it is capable of vibrating and resonating at several frequencies. This would result in excessive stress in the crankshaft and in some cases can lead to excessive vibration of the upper part of the engine.

Reduction of axial vibration

Axial vibration damper

To limit the influence of axial excitations and reduce the level of vibration, all present WinGD engines are equipped with an integrated axial vibration damper. In most cases, this lowers the axial vibrations in the crankshaft to acceptable values, meaning no further countermeasures are required. No excessive axial vibrations occur, neither in the crankshaft, nor in the upper part of the engine.

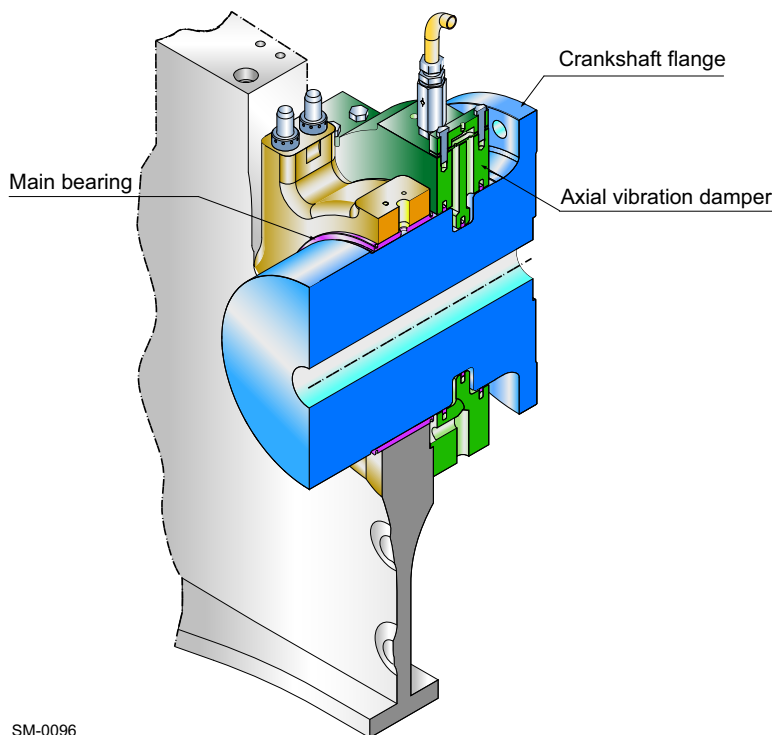


Figure 6-16 Example of axial vibration damper

The integrated axial vibration damper is mounted at the free end of the crankshaft. It is connected to the main lubricating oil circuit. An integrated oil pressure monitoring system continuously checks the correct operation of the axial vibration damper.

6.6 Whirling vibration

Whirling vibrations are generated when the shaft rotates and goes into transverse oscillations. If the shaft is out of balance, the resulting centrifugal forces will induce the shaft to vibrate. This vibration is commonly known as *whirling vibration*, *bending vibration* or *lateral shaft vibration*.

Whirling vibrations are in most cases not relevant in propulsion shafting with directly coupled low-speed 2-stroke engines. Typically, whirling vibrations are only relevant in 2-stroke installations having a very long shaft line (longer than 60m).

Many classification societies do not require whirling vibration calculations for installations with low-speed 2-stroke engines. In general, only the natural whirling frequencies are calculated. The number and position of the shaft bearings have a significant influence on the natural frequencies. As such, the whirling vibration calculation must be performed after or together with the alignment calculation.

Alignment Guidelines for Layout Calculation

6.7 Hull vibration

The hull and accommodation area are susceptible to vibration caused by the propeller, machinery and sea conditions. Controlling hull vibration from engine excitation is achieved by a number of different means and may require the fitting of second order mass moment compensators, lateral/longitudinal stays, electrical H-type or X-type compensators and/or torsional vibration dampers.

Avoiding problematic hull vibrations cannot be achieved in isolation and requires consideration and cooperation from propeller manufacturer, naval architect, shipyard, and engine builder.

WinGD can provide, on request, a simplified FE engine model to enable the shipyard or design institute to predict the influence of the engine forces and moments on the ship hull.

6.8 Countermeasures for dynamic effects

6.8.1 External mass moments and vibrations

The following tables indicate where dynamic effects and the countermeasures required to reduce them are to be given special attention.

Where installations incorporate PTO arrangements (see [Figure 4-28](#), [Fig 4-67](#)), further investigation is required and WinGD should be contacted.

Table 6-1 Countermeasures for external mass moments

No. of cyl.	Second order compensator
5-6	Balancing countermeasure is likely to be needed
7-8	Balancing countermeasure is not relevant

Table 6-2 Countermeasures for lateral and longitudinal vibrations

No. of cyl.	Lateral stays	Longitudinal stays
5	A	C / A ^{a)}
6	B	C
7	C ^{b)} / B ^{c)}	C
8	A	C
A = The countermeasure indicated is needed. B = The countermeasure indicated may be needed and provision for the corresponding countermeasure is recommended. C = The countermeasure indicated is usually not needed.		

a) 'A' for installations having the main torsional critical above nominal speed (installations with increased shaft diameters)

b) 'C' for $n_{cmcr} \leq 84$ rpm

c) 'B' for $n_{cmcr} > 84$ rpm

Table 6-3 Countermeasures for torsional and axial vibrations of the shafting

No. of cyl.	Torsional vibration	Axial vibration
5-8	Detailed calculations have to be carried out for every installation; countermeasures to be selected accordingly (shaft diameters, critical or barred speed range, flywheel, tuning wheel, torsional vibration damper).	An integrated axial vibration damper is fitted as standard to reduce the axial vibration in the crankshaft. However, the effect of the coupled axial vibration on the propulsion shafting components should be checked by calculation.

6.8.2 Synchro-Phasing System in twin engines

An available countermeasure for vibration reduction in twin engine vessels is WinGD's Synchro-Phasing System (SPS). By changing the relative phase difference of the two engines operating with the same speed, it is possible to neutralise vibrations of a selected frequency and the resulting resonance on the ship's hull or structure.

Synchro-Phasing can be an effective way of reducing vibrations without modifications to the ship's structure and with limited cost.

Concept

As discussed previously in this section, it is important that vibrations of the engine or propeller are minimised. Some specific vibrations will be problematic if they cause resonance in the surrounding vessel structure.

Alteration of phase angles

With twin-engine vessels the resulting vibration amplitude is equal to the sum of both engines and is therefore dependent on the phase difference of the engines. The phase difference of any two vibrations is the relative difference (of angle or time) between any matching points of their vibrational cycles.

It is shown in [Figure 6-17](#) that if the vibrations are in phase (0° phase difference) the resultant amplitude can reach double that of a single vibration. However, towards a phase difference of 180° the amplitude is reduced from the vibrations neutralising each other.

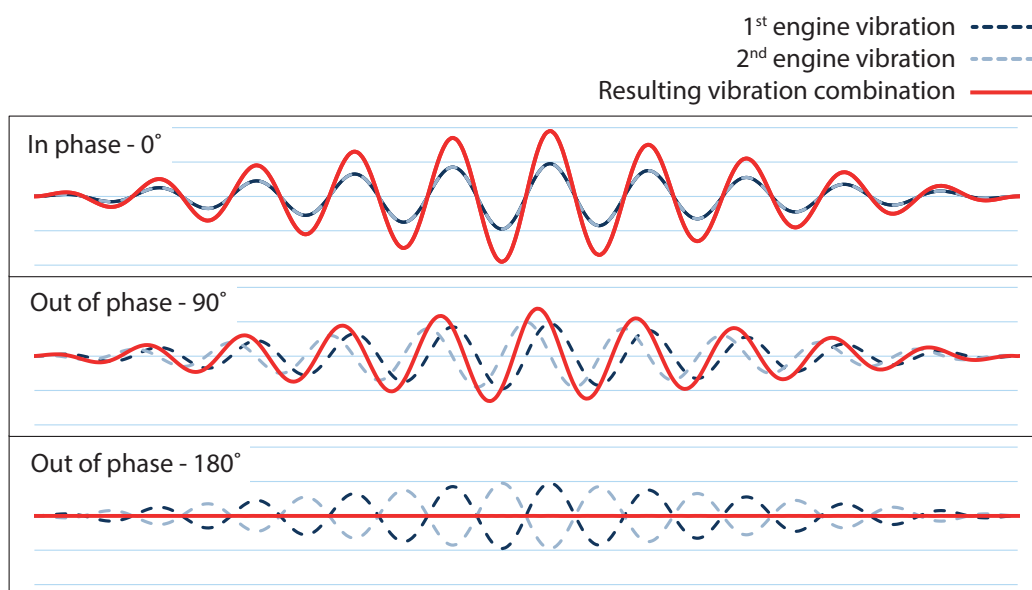


Figure 6-17 Resulting vibration from SPS combinations

By correctly altering the phase angles between two crankshafts, a vibration can be reduced and possibly eliminated, limiting vibrations distribution in the ship's hull and superstructure.

SPS is used to compensate one of the following:

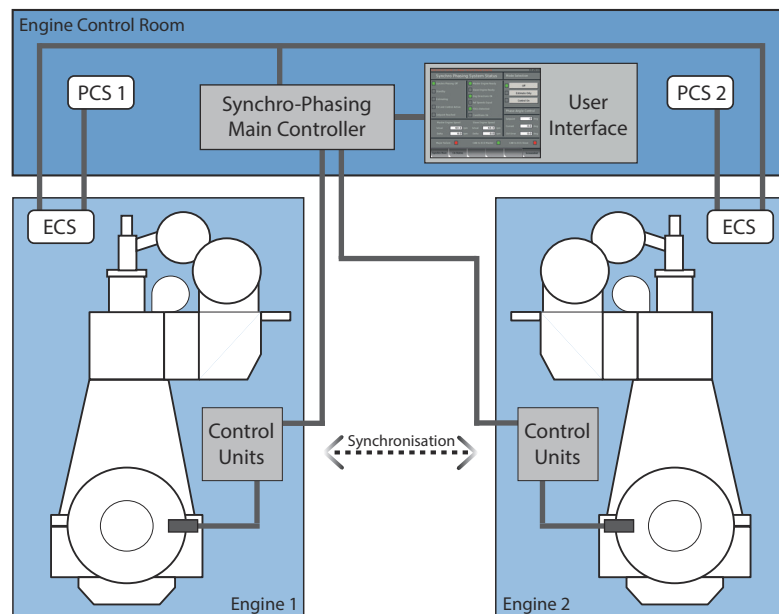
- Second order vertical mass moments (M_{2V}) discussed in section 6.1, 6-2
- Lateral H-type guide moments discussed in section 6.2, 6-6
- Excitations generated by the blade frequency of the propellers

NOTE

The compensation is only capable of neutralising one selected frequency at a time.

Components and control

The speed and the crank angle of both engines are measured by control units, which are installed on the engines. These signals are continuously transmitted to the Synchro-Phasing main controller, where the relative position and speed between the two engines is measured.



SM-0516

Figure 6-18 Synchro-Phasing system

Main controller and user interface in ECR

The main controller is installed in the engine control room along with the user interface, where the relative phase difference angle (provided by WinGD vibration experts) can be entered. This enables the system to implement a closed loop control of the set-points, which are a function of the difference between the reference phase angle and current phase angle. To adjust the phase angle between the two engines, the speed of only one (slave) engine is adapted.

The additional components required are:

- Control unit (x2)
- Synchro-Phasing main controller (x1)
- User interface (x1)

NOTE

Any phase angle value entered into the user interface must be previously approved by WinGD's Dynamics experts, as incorrect settings can lead to excessive vibrations.

Operating modes and restrictions

There are three operating modes:

- **Control On**
Fully operational. This can be selected when the release conditions are fulfilled (see in the following).
- **Estimate Only**
The speed of each engine and the relative phase angle between them is indicated and continuously updated, but not controlled. This can be selected when the release conditions are fulfilled (see below).
- **Off**
All control parameters of Synchro-Phasing control are reduced and reset to initial value (zero). This can be selected at any time.

Release conditions

The following conditions must be fulfilled to activate the **Control On** and **Estimate Only** modes. These conditions are:

- Both engines are running in ahead direction in normal operational condition and unrestricted operation conditions (no protective actions of the engine or major failures)
- Both engines are operated within the speed conditions of the Synchro-Phasing system
- Heavy Sea Mode is not active on either engine
- No major failure of phase angle control system is active
- Both engines have the same speed set-point and have completed the load up/down programs to reach this speed set-point

Deactivation of the **Control On** and **Estimate Only** modes will occur if required. Synchro-Phasing is also overruled and reset if engine limitations are reached. After deactivation, **Off** will be automatically active.

6.9 Order forms for vibration calculation & simulation



WinGD provides additional support services to assist with system dynamics and vibration analysis. All questionnaires and forms can be downloaded from the WinGD webpage under the following link:

[*Questionnaires for shaft calculations*](#)

Forms should be filled in and submitted via e-mail to the following e-mail address, along with any further questions:
dynamics.ch@wingd.com

Winterthur Gas & Diesel Ltd.
Engine Dynamics
Schützenstrasse 3
8400 Winterthur
Switzerland

7 Engine Emissions

In 1973, an agreement on the International Convention for the Prevention of Pollution from Ships (ICPPS) was reached. It was modified in 1978 and is now known as MARPOL 73/78.

MARPOL 73/78 Annex VI (also known as MARPOL Annex VI), came into effect in 2005 and contains regulations limiting or prohibiting certain types of emissions from ships, including limitations with respect to air pollution. MARPOL Annex VI is continuously amended. Recently a revised and updated version was published as IMO resolution MEPC.328(76) and came into effect in November 2022.

7.1 Exhaust gas emissions

Major exhaust gas emissions include oxides of carbon (CO and CO₂), oxides of nitrogen (NO and NO₂), oxides of sulphur (SO₂ and SO₃) and Particulate Matter (PM). Exhaust gas emissions are a critical topic of interest in the shipping industry.

7.1.1 Regulation and calculation criteria for NO_x emissions

Regulation 13 of MARPOL Annex VI specifies a limit for the nitrogen oxides (NO_x) emissions for engines installed on ships. This has a direct implication on the design of propulsion engines.

NO_x Technical Code

The rules and procedures for demonstrating and verifying compliance with Regulation 13 of MARPOL Annex VI are provided in the NO_x Technical Code, which is part of Annex VI and is largely based on the latest revision of ISO 8178.

NO_x Calculation criteria

Depending on the rated speed of the engine and the date of vessel keel-laying, the weighted average NO_x emission of the engine must not exceed the maximum allowable value as indicated by the respective curves in [Figure 7-1](#).

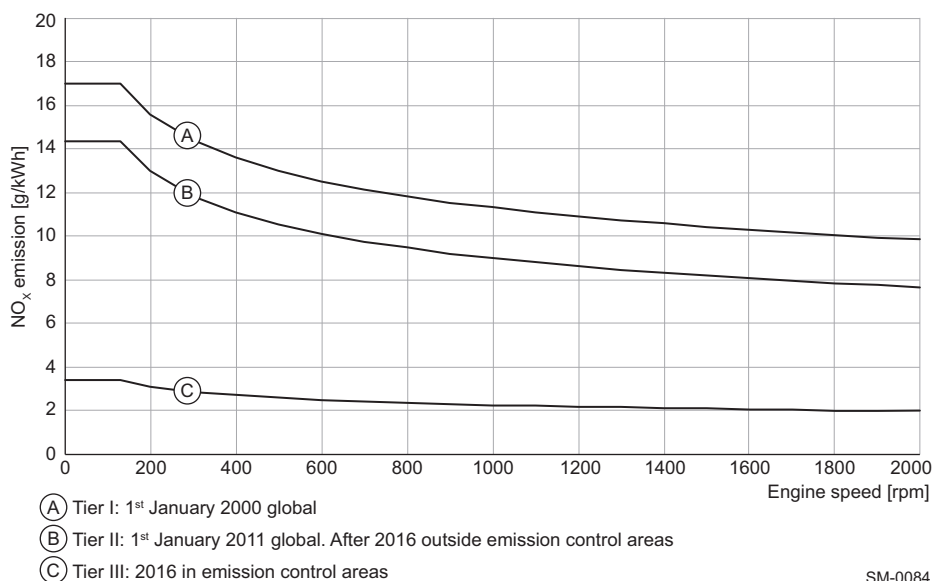


Figure 7-1 Speed dependent maximum allowable average of NO_x emissions

NO_x emissions can be calculated with the following conversion formula:

$$m_{NO_x} = NO_x \cdot \frac{P_{ME}}{1000}$$

Formula 7-1

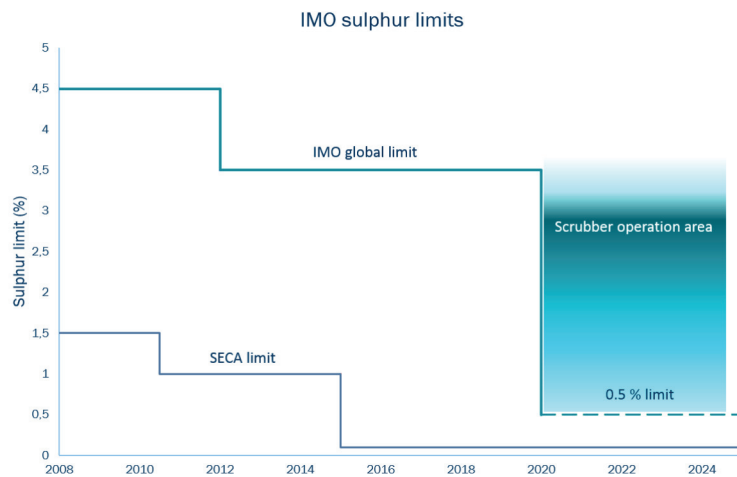
where:

- m*_{NO_x} = Nitrogen oxides emissions [kg/h]
- NO_x* = Nitrogen oxides emissions [g/kWh]
- PME* = Engine power [kW]

WinGD diesel engines are Tier II compliant and the weighted average of 14.4 g/kWh can be used for the NO_x emissions in [Formula 7-1](#). For diesel engines which are Tier III compliant (by means of exhaust gas treatment technologies), the weighted average of 3.4 g/kWh can be used for the NO_x emissions in [Formula 7-1](#).

7.1.2 Regulation and calculation criteria for SO_x emissions

Regulation 14 of MARPOL Annex VI specifies the limits for sulphur oxides (SO_x) emissions. Such limits are specifically defined for designated Emission Control Areas (ECA) as well as globally. As shown in [Figure 7-2](#), the ECA limit has been gradually reduced from its initial value of 1.5% to 1.0% (2010) and finally to 0.1% (2015). The global limit has also been gradually reduced from its initial value of 3.5% (2012) to 0.5% (2020).



SM-0836

Figure 7-2 Sulphur limits introduced by IMO according to MARPOL Annex VI

SO_x Calculation criteria

Total SO_x emissions are linked mainly to two factors. The first factor is the sulphur content of the fuel, which must fulfil the requirements stated under Regulation 18 of MARPOL Annex VI. The second factor is the fuel consumption.

SO_x emissions (such as SO₂) can be calculated with the following formula:

$$m_{SO_x} = BSFC \cdot 2.0 \cdot \frac{SC}{100} \cdot \frac{P_{ME}}{1000}$$

Formula 7-2

where:

- m_{SO_x} = Oxides of sulphur emissions [kg/h]
 $BSFC$ = Brake Specific Fuel Consumption [g/kWh]
 2.0 = Molar mass ratio of sulphur to sulphur dioxide
 SC = Sulphur Content [%]
 P_{ME} = Power (Main Engine) [kW]

BSFC is a function of the engine type and power. Project-specific values are available in the *GTD*.

The actual Sulphur Content (SC) of the fuel is a value stated by the fuel oil supplier on the bunker delivery note.

The value for the molar mass ratio of sulphur to sulphur dioxide is assumed to be equal to 2.0 as the majority of SO_x emissions are SO₂. Assuming that 5% of SO_x emissions are SO₃, this factor would change to 2.03. This illustrates that the equation is a good approximation for the real exhaust gas emissions composition.

7.1.3 Regulation and calculation criteria for CO₂ emissions

The IMO strategy is to reduce CO₂ emissions for shipping by at least 40% by 2030 and a further reduction of up to 70% by 2050 (compared to the 2008 values). New amendments to MARPOL Annex VI came into effect on 1st November 2022. The new measures require all ships to calculate their Energy Efficiency Existing Ship Index (EEXI) and to establish their annual operational Carbon Intensity Indicator (CII) and CII rating.

CO₂ Calculation criteria

CO₂ is considered in EEXI and CII. The CO₂ emissions are related to the type of fuel oil burned by the engine. For diesel engines, CO₂ can be calculated with the following formula:

$$m_{CO_2} = (BSFC \cdot CF_x) \cdot \frac{P_{ME}}{1000}$$

Formula 7-3

where:

- m_{CO_2} = CO₂ emissions [kg/h]
 $BSFC$ = Brake Specific Fuel Consumption [g/kWh]
 CF_x = Conversion Factor
 P_{ME} = Engine Power [kW]

BSFC depends on the engine type and rating. The project-specific values are available in the *GTD*.

CF_x is a non-dimensional conversion factor between fuel consumption and CO₂ emissions. CF_x has different values depending on the fuel type. The values can be found in resolution *MEPC.308(73)*.

7.1.4 PM emissions

Regulation 14 of MARPOL Annex VI specifies the limits for PM emissions, which are mainly related to unburned combustion residuals and fuel quality.

7.1.5 Selective catalytic reduction for NO_x emissions control

Selective Catalytic Reduction (SCR) systems are used on board ships to ensure that the exhaust gas emissions comply with the Tier III NO_x regulations stipulated by the IMO.

All diesel engines are IMO Tier II compliant. For diesel engines, the SCR system is an exhaust gas treatment system which can be selected to reduce NO_x emissions for compliance with Tier III NO_x regulations.

SCR technology is based on the reduction of nitrogen oxides (NO_x) by means of a reducing agent (typically ammonia, generated from urea) at the surface of a catalyst situated in a reactor. The reducing agent can be added directly or indirectly into the exhaust gas stream. In case of direct urea injection, the urea decomposes into ammonia directly in the exhaust gas receiver. In case of indirect urea injection, the urea decomposes in a separate decomposition unit. In the SCR reactor, the NO_x reacts with ammonia and is converted into nitrogen and water vapour, which are major constituents of ambient air.

Urea consumption

If urea is selected as the reducing agent, then it must comply with the ISO 18611-1:2014 standard. According to this specification, urea is an aqueous solution with 40% urea by mass fraction and it has a density in the range of 1.1 kg/l at 20°C. The urea consumption figures are available in the *GTD*. The urea tank sizing must be in accordance with the intended engine operating profile.

The operation of the SCR system requires a continuous and reliable supply of compressed air for air-assisted urea dosing, soot blowing functionality and sealing air (if applicable). An essential parameter for a proper NO_x reduction in the SCR system is the SCR inlet gas temperature. To ensure a proper NO_x reduction, a minimum temperature must be maintained, which depends on the fuel's sulphur content, the inlet gas pressure and the catalyst type.



The drawings relevant for the SCR system (DG 9726) are provided on the WinGD webpage under the following link:

[MIDS](#)

Two common design variants for the SCR system are High-Pressure SCR (HP SCR) and Low-Pressure SCR (LP SCR), the difference being the position and volume of the SCR reactor. The LP SCR is physically bigger, but provides more installation flexibility as the SCR reactor can be located anywhere downstream of the turbocharger.

High-pressure SCR

For HP SCR, the main components are the SCR reactor, the vaporising pipe, the connecting pipes with compensator, two shut-off valves and a bypass valve. The SCR reactor is positioned on the high-pressure side, between the engine exhaust gas manifold and the turbocharger. The shut-off valves and bypass valve assist with bypassing the SCR system.

The HP SCR requires the following auxiliary systems:

- Urea supply system
- Compressed air supply system to support urea injection, soot blowing in the SCR reactor, and sealing air (if applicable)
- SCR control system

Figure 7-3 includes a sketch of HP SCR.

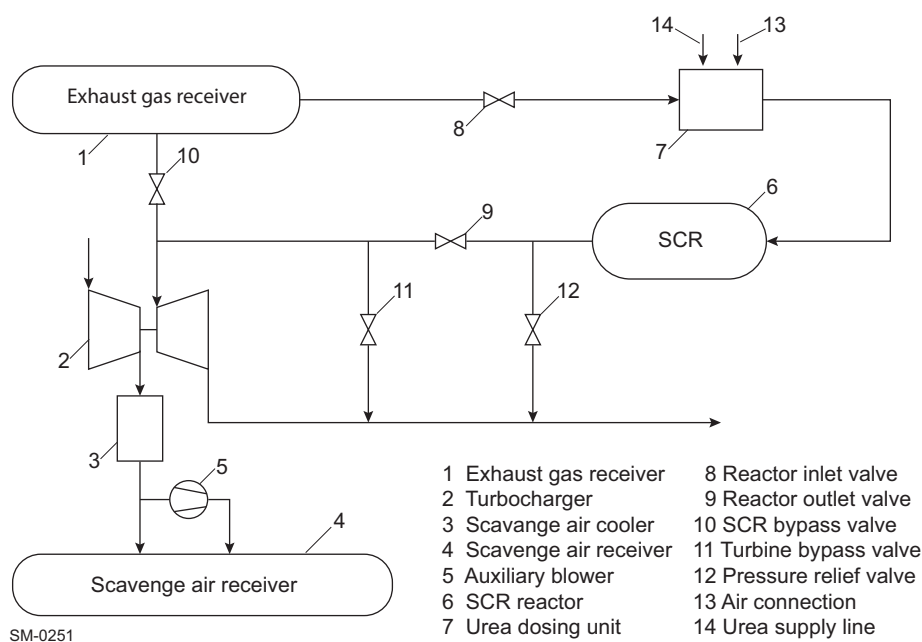


Figure 7-3 High-pressure SCR



The **Concept Guidance** for HP SCR installation (DG 8159) is provided on the WinGD webpage under the following link:

[SCR Piping Guide](#)

Low-pressure SCR

For LP SCR, the main components are the SCR reactor, the urea dosing unit, the decomposition unit and the burner. The SCR reactor is located at the low-pressure side of the turbocharger, which provides installation flexibility as the SCR reactor can be positioned before the economiser.

The LP SCR requires the following auxiliary systems:

- Urea supply system
- Compressed air supply system to support urea injection and soot blowing in the SCR reactor
- SCR control system

Two common designs for LP SCR include the direct and indirect urea injection system.

In the direct urea injection system, urea is added directly into the exhaust gas receiver to ensure a proper temperature for urea decomposition. Urea decomposes into ammonia directly in the exhaust gas receiver and is then directed to the SCR reactor.

In the indirect urea injection system, a decomposition unit and an additional burner are required to guarantee a proper temperature for urea decomposition. For this system, a temperature-controlled and a bypass rate-controlled variant are available.

Temperature-controlled variant of indirect urea injection

In the temperature-controlled variant, the required minimum temperature at the SCR reactor inlet is achieved by means of the burner. This temperature is adjusted based on the exhaust gas temperature detected at the SCR reactor inlet and is also influenced by the exhaust gas ratio via the turbine bypass valve.

Bypass rate-controlled variant of indirect urea injection

In the bypass-rate controlled variant, the temperature at the SCR reactor inlet is primarily controlled by the exhaust gas bypass rate. In addition, the burner is used to heat up the exhaust gas to meet the required minimum temperature level at the SCR inlet.

Figure 7-4 includes a sketch of LP SCR with the direct urea injection system.

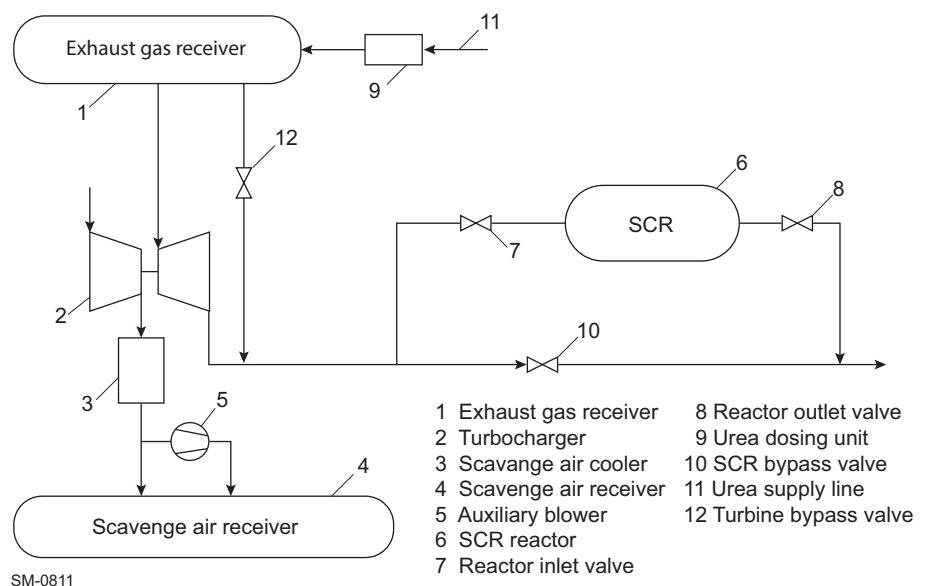


Figure 7-4 Low-pressure SCR with direct urea injection

Figure 7-5 and Figure 7-6 include sketches of LP SCR with the indirect urea injection system.

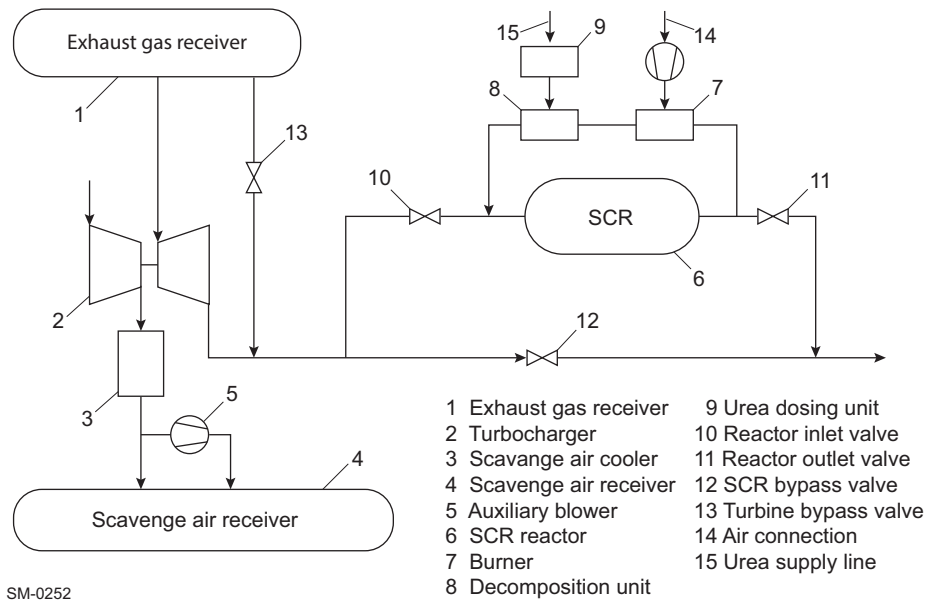


Figure 7-5 Low-pressure SCR with indirect urea injection (temperature controlled)

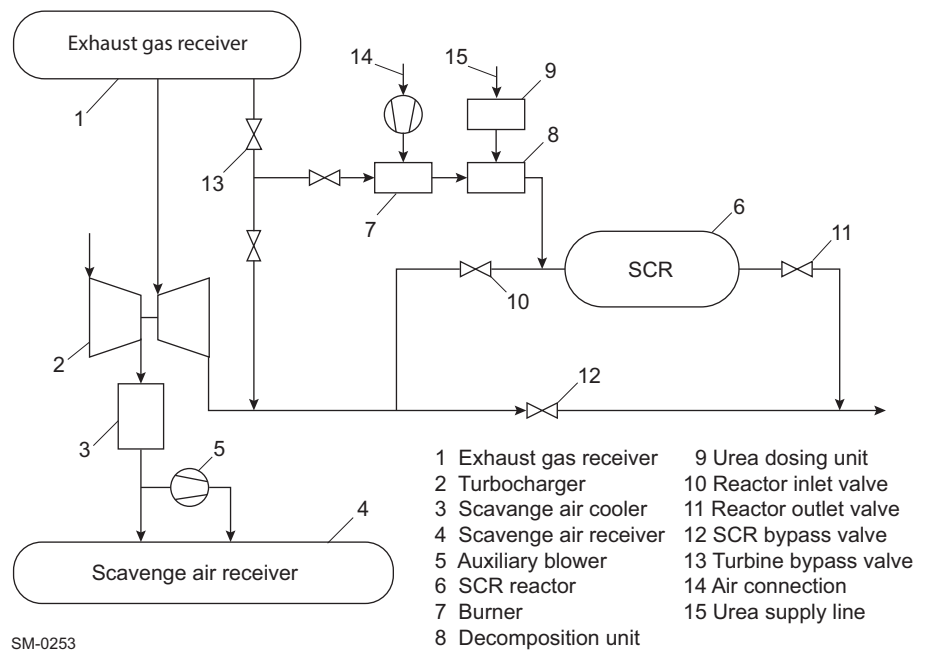


Figure 7-6 Low-pressure SCR with indirect urea injection (bypass rate controlled)

Performance data for engines operating with SCR technology is available in the *GTD*.

NOTE

The detailed SCR layouts provided above are only indicative and may vary depending on the supplier. For further details, please refer to the SCR supplier. The final SCR system is the responsibility of the shipyard and SCR supplier.

7.1.6 Scrubber for SO_x emissions control

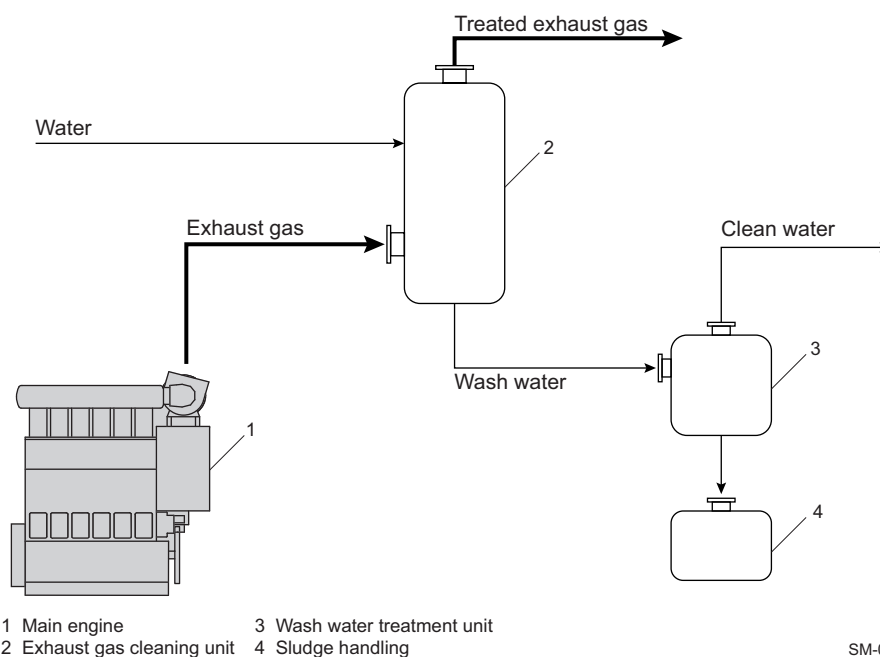
The international requirements for SO_x and PM emissions are determined by the MARPOL convention Annex VI (see section 7.1.2, [Figure 7-2](#)). SO_x emissions can be controlled by using low-sulphur fuels. However, emissions abatement technologies such as scrubbers are also available. Scrubbers can be applied to reduce total SO_x emissions from ships, including auxiliary and main propulsion engines.

SO_x scrubbers

In the marine industry, wet scrubbers are typically used for removal of SO_x from the exhaust gas stream. Depending on the scrubbing agent used, the system can be defined as an open-loop or a closed-loop scrubber system. In open-loop systems, the scrubbing agent is seawater. In closed-loop systems, generally the scrubbing agent is freshwater. A hybrid system, using both open- and closed- loop systems, can be considered when high flexibility is required.

The working principle of wet scrubbers involves spraying water into the exhaust gas stream or directing the exhaust gases through a water bath. Following a chemical reaction, the SO_x dissolves in the scrubbing water and is removed from the exhaust gas. The scrubbing water is then cleaned of contaminants before being discharged.

The main components of the SO_x wet scrubber system are the exhaust gas cleaning unit (the scrubber), the wash water treatment unit and the sludge handling unit (see [Figure 7-7](#)).



SM-0415

Figure 7-7 Major components of the SO_x wet scrubber system

Open-loop scrubber system

An open-loop system is used when seawater is selected as the scrubbing agent. In this system, seawater is pumped from a sea chest through the scrubber and cleaned by a hydrocyclone before being discharged back into the sea. The water discharged during scrubber operation must be compliant with the limits established by IMO resolution MEPC.340(77).

Figure 7-8 shows a typical configuration of the open-loop scrubber system.

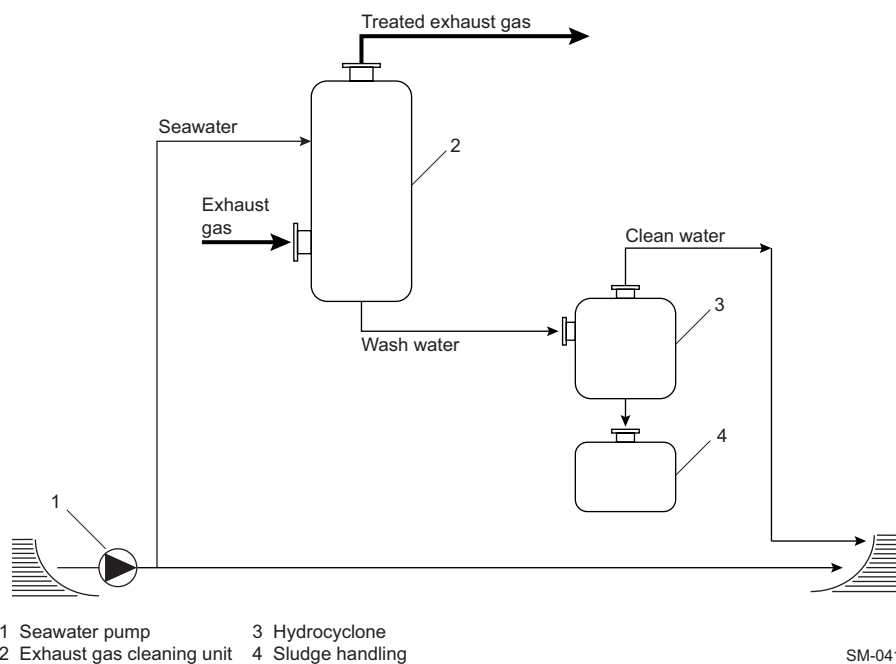


Figure 7-8 Open-loop scrubber system

Closed-loop scrubber system

A closed-loop system generally uses freshwater as the scrubbing agent. A chemical (usually sodium hydroxide) is added to the freshwater to obtain the required alkalinity for neutralising the SO_x . The freshwater circulates in a closed-loop system. A small amount of the water is directed to the wash water treatment unit for cleaning and discharging.

Figure 7-9, 7-10 shows a typical configuration of the closed-loop scrubber system.

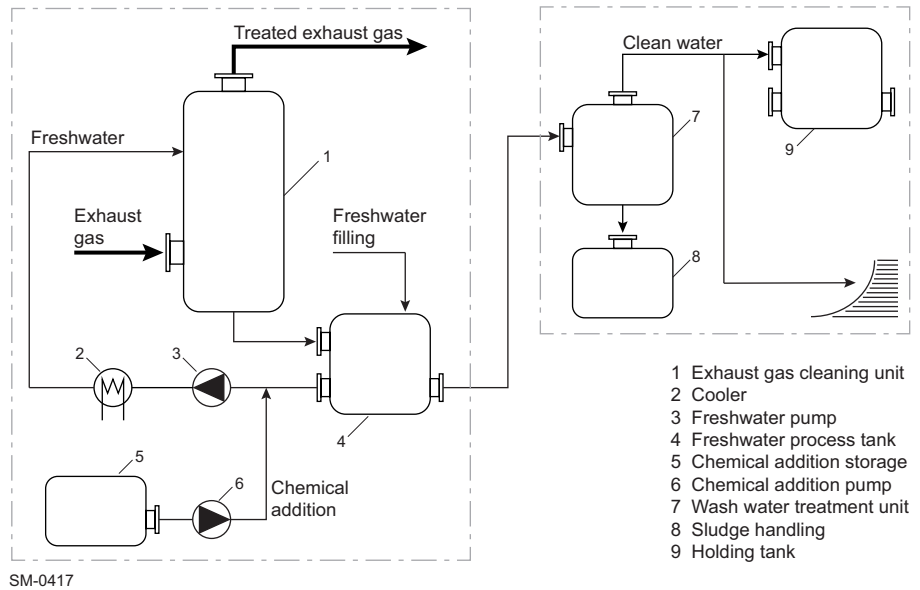


Figure 7-9 Closed-loop scrubber system

Hybrid scrubber system

A hybrid system has the flexibility to operate either in open- or closed-loop mode. As a result, the system can operate with either seawater or freshwater. Generally, the hybrid system uses a common scrubber unit with separate open- and closed-loop systems for the scrubbing agent. For vessels operating in both high- and low-alkalinity areas, this system offers more flexibility.

Figure 7-10 shows a typical configuration of the hybrid scrubber system.

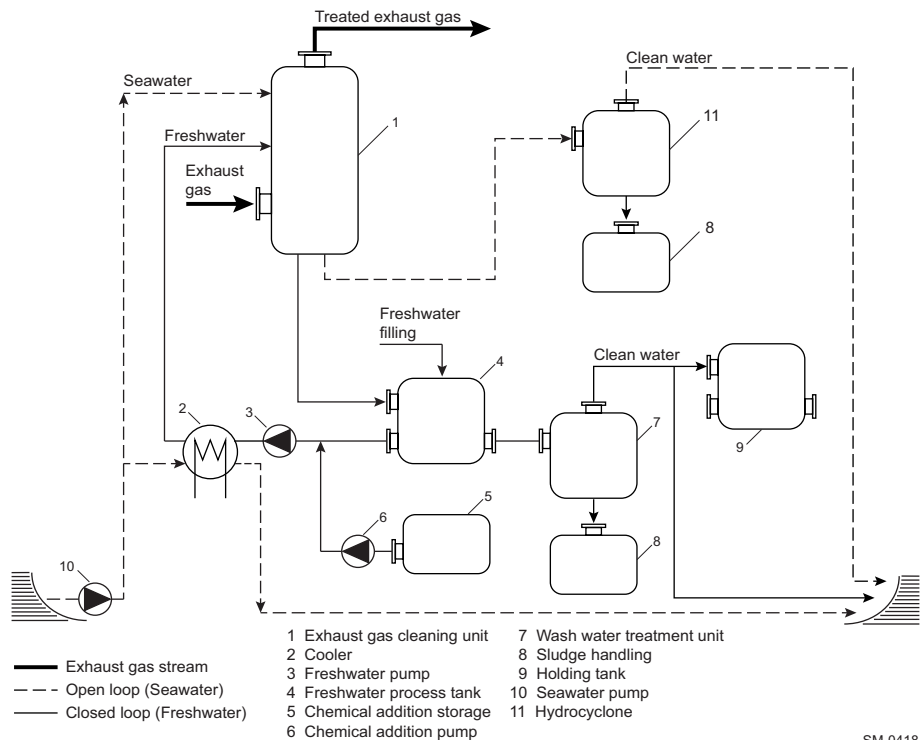


Figure 7-10 Hybrid scrubber system

NOTE

The detailed scrubber system layouts provided above are only indicative and may vary depending on the supplier. For further details, please refer to the scrubber supplier. The final scrubber system is the responsibility of the shipyard and scrubber supplier.

Performance data for engines operating with scrubber technology is available in the *GTD*.

Alternatively, a dry scrubber system can also be used. Dry scrubbers use a surface-active material to capture the SO_x from the exhaust gas stream. The advantage of dry scrubber technology is that pollutants are not transferred from air to water. A disadvantage is that the residual waste powder, produced during the scrubbing process, requires a specific procedure for disposal. The effectiveness of a dry scrubber depends on the characteristics of the adsorbent material and on the specific surface area. Currently, there is limited availability of this technology in the marine industry.

7.2 Engine noise

As the ship's crew / passengers must be protected from the effects of machinery space noise, the maximum acceptable noise levels are defined by rules. In general, for new building projects, the latest IMO Resolution MSC.337 'Code of Noise Levels Onboard Ships' is applied.

The main change introduced by the new IMO MSC.337, compared to the previous Resolution A468(XII), is that in large rooms with many measurement positions, the individual positions must be compared to the maximum admissible limit.

NOTE

The noise level graphs in [Figure 7-11](#), [7-13](#), [Figure 7-13](#), [7-15](#) and [Figure 7-14](#), [7-16](#) show typical values for MCR. As the rating and tuning dependency is marginal, the values can be used for all ratings.

7.2.1 Air-borne noise

[Figure 7-11](#), [7-13](#) shows the average surface sound pressure level. The data in the graph are related to:

- Distance of 1 m from engine
- Average values L_p in dB, in comparison with ISO NR-Curves
- Overall average values L_{pA} in dB(A) and expected maximal overall single point values
- Free field conditions

Near the turbocharger (air intake), the maximum measured noise level will normally be 3-5 dB(A) higher than the average noise level of the engine.

Standard noise reduction & additional noise reduction

The present document includes the expected maximum overall value for a single point. [Figure 7-11](#), [7-13](#) distinguishes between standard noise reduction and additional noise reduction on turbocharger air side. The turbocharger suppliers are currently developing different silencer solutions to comply with the new noise limit regulation of 110 dB(A) for single point.

NOTE

The single point noise limit of 110 dB(A) for machinery spaces may be exceeded if standard silencers are applied.

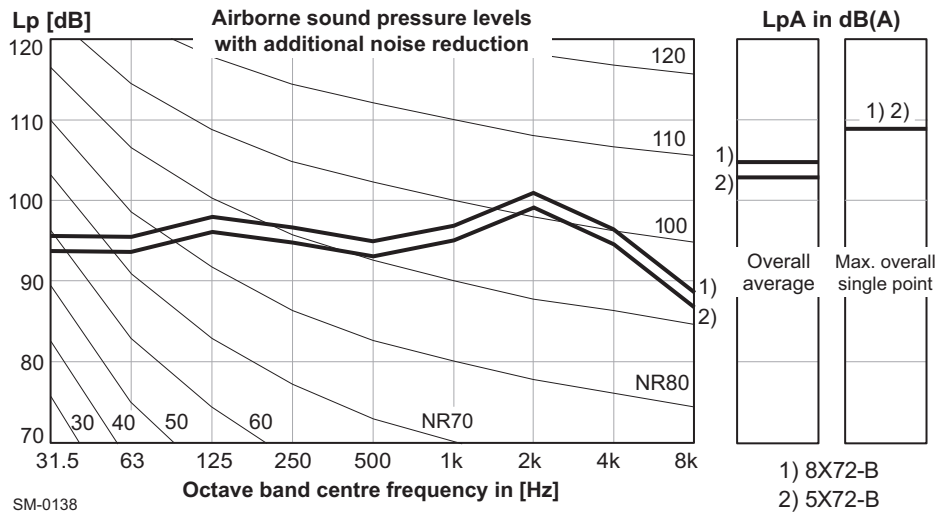
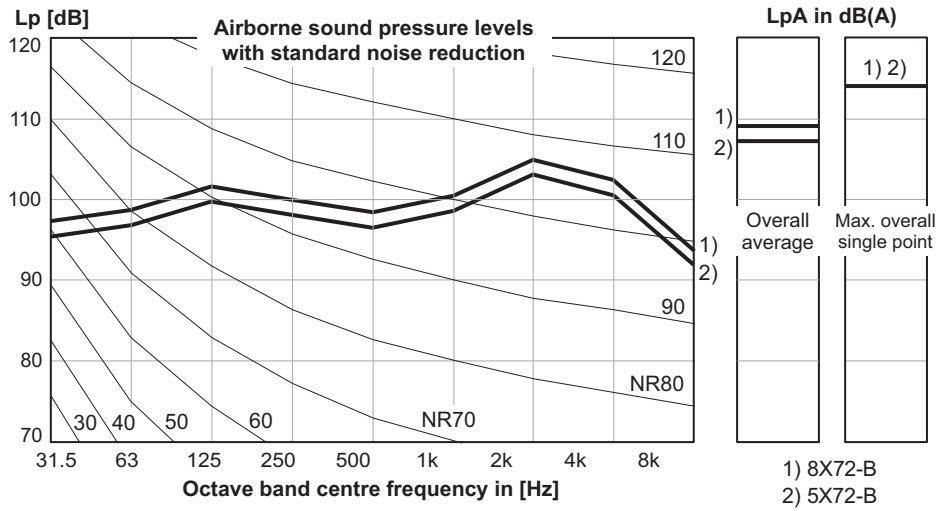


Figure 7-11 Sound pressure level at 1 m distance from engine

7.2.2 Exhaust noise

In the engine exhaust gas system, the sound pressure level at funnel top (see Figure 7-13, 7-15) is related to:

- Distance of 1 m from edge of exhaust gas pipe opening (uptake)
- Angle of 30° to gas flow direction (see Figure 7-12)
- Average values L_p in dB, in comparison with ISO NR-Curves
- Overall average values L_{pA} in dB(A)
- Without economiser, silencer, exhaust gas bypass

Each doubling of the distances from the centre of the duct reduces the noise level by about 6 dB.

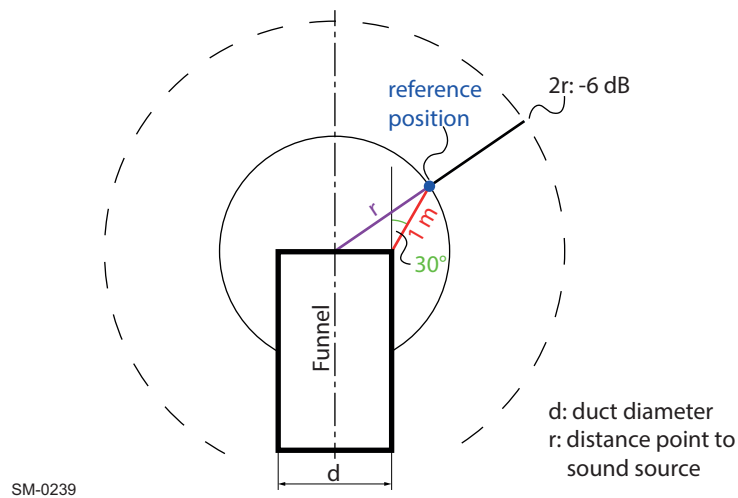


Figure 7-12 Exhaust noise reference point

Silencer after economiser

Depending on the actual noise level allowed on the bridge wing — which is normally between 60 and 70 dB(A) — a simple flow silencer of the absorption type may be placed after the economiser, if the noise reduction of the economiser is not sufficient.

For installations with exhaust gas bypass, a silencer in the main engine exhaust line may be considered.

The silencers are to be dimensioned for a gas velocity of approx. 35 m/s with a pressure loss of approx. 2 mbar at specified CMCR.

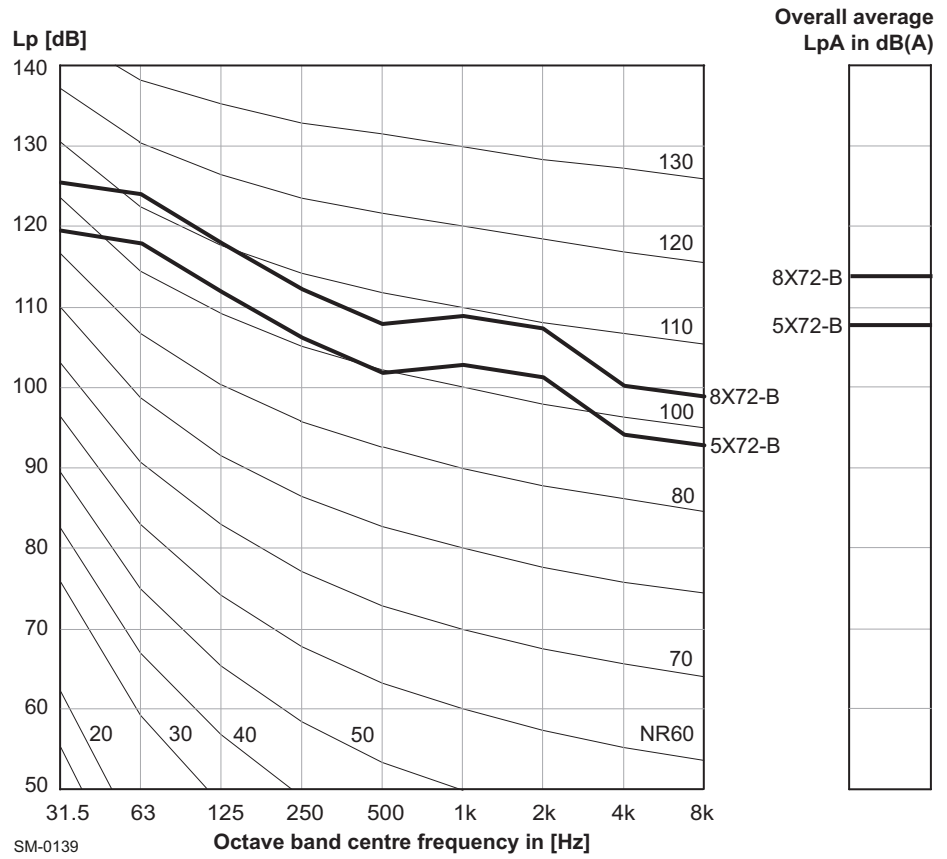


Figure 7-13 Sound pressure level at funnel top of exhaust gas system

7.2.3 Structure-borne noise

The vibrational energy is propagated via engine structure, bedplate flanges and engine foundation to the ship’s structure, which starts to vibrate and thus emits noise.

The sound pressure levels in the accommodations can be estimated with the aid of standard empirical formulas and the vibration velocity levels.

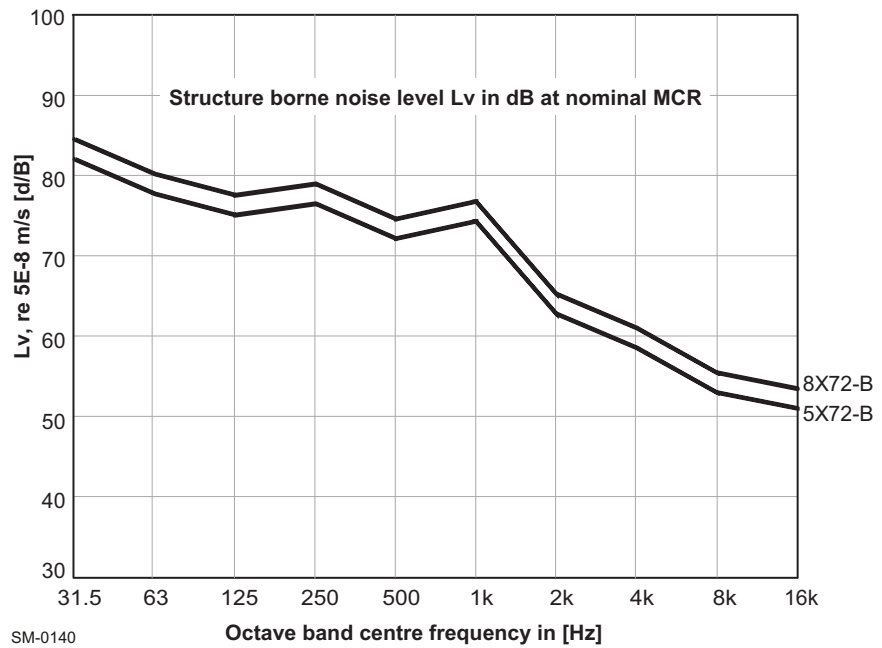


Figure 7-14 Structure-borne noise level at engine feet vertical

8 Engine Dispatch

This chapter describes the provisions to be made for transporting the engine from the engine builder to the shipyard or final destination.

Engines are transported complete or as part assemblies, depending on the terms of contract.

8.1 Engines to be transported as part assemblies

- Engines to be transported as part assemblies have to be systematically disassembled and cleaned using dry cloths.
- Each item is to be clearly identified with 'paint ball' pen, similar indelible marker ink, or figure and letter stamps.
- To ensure correct reassembly and eliminate the risk of parts from one cylinder unit being fitted to another by mistake, it is indispensable that bearings and running gear are clearly marked cylinder by cylinder.

8.2 Protection of disassembled engines

All parts have to be protected against damage by careful crating and from corrosion by applying rust preventing oils or paper.



For further details refer to the latest version of the relevant **Guideline** (DG 0345), which is provided on the WinGD webpage under the following link:

[*Guideline for engine protection*](#)

8.3 Removal of rust preventing oils after transport

8.3.1 Internal parts

The rust preventing oils applied to the internal parts of an assembled engine have properties similar to lubricating oils. As they do not contain thickening agents of wax type they will wash off easily and mix without causing harm to the engine or its systems.

8.3.2 External parts

Wax type rust preventing oils applied to exposed surfaces of engine components contain thickening agents of wax, forming an anti-corrosion coating when applied. This coating has to be washed off with gas oil, kerosene or white spirit.

9 Appendix

The Appendix gives an overview of the relevant classification societies and lists acronyms mentioned throughout this document in alphabetical order. Tables of SI dimensions and conversion factors can also be found here.

9.1 Classification societies

Table 9-1 List of classification societies

IACS	International Association of Classification Societies		
ABS	American Bureau of Shipping	KR	Korean Register
BV	Bureau Veritas	LR	Lloyd's Register
CCS	Chinese Classification Society	NK	Nippon Kaiji Kyokai
CRS	Croatian Register of Shipping	PRS	Polski Rejestr Statkow
DNV	Det Norske Veritas	RINA	Registro Italiano Navale
IRS	Indian Register of Shipping	RS	Russian Maritime Register of Shipping

9.2 List of acronyms

Table 9-2 List of acronyms

AE	Auxiliary Engine	DG	Design Group
ALM	Alarm	DMB, DFB/ DMA, DFA, DMZ, DFZ	Diesel oil quality grades as per ISO 8217
AMS	Alarm and Monitoring System	ECA	Emission Control Area
BFO	Bunker Fuel Oil	ECR	Engine Control Room
BN	Base Number	ECS	Engine Control System
BOG	Boil-Off Gas	EEDI	Energy Efficiency Design Index
BOR	Boil-Off Rate	EGC	Exhaust Gas Cooler
BPV	Back Pressure Valve	EIAPP	Engine International Air Pollution Prevention
BSEC	Brake Specific Energy Consumption	EM	Engine Margin
BSEF	Brake Specific Exhaust gas Flow	EMA	Engine Management & Automation
BSFC	Brake Specific Fuel Consumption	FBOG	Forced Boil-Off Gas
BSGC	Brake Specific Gas Consumption	FGSS	Fuel Gas Supply System
BSPC	Brake Specific Pilot fuel Consumption	FPP	Fixed Pitch Propeller
BSR	Barred Speed Range	FQS	Fuel Quality Setting
CCR	Conradson Carbon Residue	FRV	Flow Regulating Valve
CCW	Cylinder Cooling Water	FSM	Fuel Sharing Mode
CCWC	Cylinder Cooling Water Cooler	FW	Freshwater
CEN	European Committee for Standardization www.cen.eu	GAV	Gas Admission Valve
CFR	Certified Flow Rate	GCU	Gas Combustion Unit
CMCR	Contracted Maximum Continuous Rating (Rx)	GTD	General Technical Data (application)
CPP	Controllable Pitch Propeller	GVU	Gas Valve Unit
CSM	Combustion Stability Mode	HFO	Heavy Fuel Oil
CSR	Continuous Service Rating	HMI	Human-Machine Interface
DAH	Differential pressure Alarm, High	HP	High Pressure
DBT	Delta Bypass Tuning	HT	High Temperature
DCC	Dynamic Combustion Control	IACS	Int. Association of Classification Societies www.iacs.org.uk
DENIS	Diesel Engine coNtrol and optImising Specifi- cation	iCAT	Integrated Cylinder lubricant Auto Transfer
DF	Dual-Fuel	ICC	Intelligent Combustion Control
DFO	Diesel Fuel Oil, covering MDO (DMB, DFB) and MGO (DMA, DFA, DMZ, DFZ)	iCER	Intelligent Control by Exhaust Recycling

iELBA	Integrated Electrical Balancer	MIM	Marine Installation Manual
IGC (Code)	Int. Code of the Construction and Equipment of Ships Carrying Liquefied Gases in Bulk (International Gas Carrier (Code))	MN	Methane Number
IGF (Code)	International Code of Safety for Ships using Gases or other Low-Flashpoint Fuels	NAS	National Aerospace Standard
iGPR	Integrated Gas Pressure Regulation (unit)	NBOG	Natural Boil-Off Gas
IMO	International Maritime Organization www.imo.org	NO _x	Nitrogen Oxides
iSCR	Integrated Selective Catalytic Reduction	NR (Curve)	ISO Noise Rating (Curve)
ISO	International Organization for Standardization www.iso.org	OM	Operational Margin Operation Manual
LAH	Level Alarm, High	PAL	Pressure Alarm, Low
LAL	Level Alarm, Low	PCS	Propulsion Control System
LCV	Lower Calorific Value	PI	Proportional plus Integral
LDU	Local Display Unit	PLS	Pulse Lubricating System
LFO	Light Fuel Oil	PMS	Planned Maintenance System
LHV	Lower Heating Value	PRU	Power Related Unbalance
LNG	Liquefied Natural Gas	PSV	Purging & Sealing Valve
LO	Lubricating Oil	PTH	Power Take-Home
LOC	Lubricating Oil Cooler	PTI	Power Take-In
LowTV	Low Torsional Vibration	PTO	Power Take-Off
LP	Low Pressure	PTO-G	Power Take-Off Gear
LR	Light Running margin	PUR	Rigid polyurethane
LSH	Level Switch, High	RCS	Remote Control System
LSL	Level Switch, Low	SAC	Scavenge Air Cooler
LT	Low-load Tuning Low Temperature	SAE	Society of Automotive Engineers
MARPOL	International Convention for the Prevention of Pollution from Ships	SCR	Selective Catalytic Reduction
MCR	Maximum Continuous Rating (R1)	SG	Shaft Generator
MDO	Marine Diesel Oil (DMB, DFB)	SHD	Shut-down
ME	Main Engine	SLD	Slow-down
MEP	Mean Effective Pressure	SM	Sea Margin
MEPC	Marine Environment Protection Committee	SOLAS	Int. Convention for the Safety of Life at Sea
MFD	Misfiring Detection (device)	SOV	Shut-Off Valve
MGO	Marine Gas Oil (DMA, DFA, DMZ, DFZ)	SPC	Spare Parts Catalogue Steam Production Control
MIDS	Marine Installation Drawing Set	SPP	Steam Production Power

SPS	Synchro-Phasing System	VI	Viscosity Index
SW	Seawater	VIT	Variable Injection Timing
TBO	Time Between Overhauls	WECS	WinGD Engine Control System
TC	Turbocharger	WHR	Waste Heat Recovery
tEaT	Temperature Exhaust gas After Turbocharger	WiCE	WinGD Integrated Control Electronics
tEbE	Temperature Exhaust gas Before Economiser	WiDE	WinGD Integrated Digital Expert
TVC	Torsional Vibration Calculation	WinGD	Winterthur Gas & Diesel Ltd.
ULO	Used Lubricating Oil	WMC	Water Mist Catcher
VEC	Variable Exhaust Closing	X-EL	WinGD Electrification Solutions

9.3 SI dimensions for internal combustion engines

Table 9-3 SI dimensions

Symbol	Definition	SI-Units	Other units
a	Acceleration	m/s ²	
A	Area	m ² , cm ² , mm ²	
BSFC	Brake specific fuel consumption	kg/J, kg/(kWh), g/(kWh)	
c	Specific heat capacity	J/(kgK)	
C, S	Heat capacity, entropy	J/K	
e	Net calorific value	J/kg, J/m ³	
E	Modulus of elasticity	N/m ² , N/mm ²	
F	Force	N, MN, kN	
f, v	Frequency	Hz, 1/s	
I	Current	A	
I, J	Moment of inertia (radius)	kgm ²	
l, L	Length	m, cm, mm	
I _a , I _p	Second moment of area	m ⁴	
K	Coefficient of heat transfer	W/(m ² K)	
L	Angular momentum	Nsm	
L _{(A)TOT}	Total A noise pressure level	dB	
L _{(LIN)TOT}	Total LIN noise pressure level	dB	
L _{OKT}	Average spatial noise level over octave band	dB	
m	Mass	t, kg, g	
M, T	Torque moment of force	Nm	
N, n	Rotational frequency	1/min, 1/s	rpm
p	Momentum	Nm	
p	Pressure	N/m ² , bar, mbar, kPa	1 bar = 100 kPa 100mmWG = 1 kPa
P	Power	W, kW, MW	
q _m	Mass flow rate	kg/s	
q _v	Volume flow rate	m ³ /s	
t	Time	s, min, h, d	
T, Θ, t, θ	Temperature	K, °C	
U	Voltage	V	
V	Volume	m ³ , dm ³ , l, cm ³	
v, c, w, u	Velocity	m/s, km/h	Kn

Symbol	Definition	SI-Units	Other units
W, E, A, Q	Energy, work, quantity of heat	J, kJ, MJ, kWh	
Z, W	Section modulus	m ³	
$\Delta T, \Delta \Theta, \dots$	Temperature interval	K, °C	
α	Angular acceleration	rad/s ²	
α	Linear expansion coefficient	1/K	
$\alpha, \beta, \gamma, \delta, \varphi$	Angle	rad, °	
γ, σ	Surface tension	N/m	
η	Dynamic viscosity	Ns/m ²	
λ	Thermal conductivity	W/(mK)	
ν	Kinematic viscosity	m ² /s	cSt, RW1
ρ	Density	kg/m ³ , kg/dm ³ , g/cm ³	
σ, τ	Stress	N/m ² , N/mm ²	
ω	Angular velocity	rad/s	

9.4 Approximate conversion factors

Table 9-4 Conversion factors

Length	1 in	=	25.4 mm
	1 ft	= 12 in	= 304.8 mm
	1 yd	= 3 feet	= 914.4 mm
	1 statute mile	= 1760 yds	= 1609.3 m
	1 nautical mile	= 6080 feet	= 1853 m
Mass	1 oz	=	0.0283 kg
	1 lb	= 16 oz	= 0.4536 kg
	1 long ton	=	1016.1 kg
	1 short ton	=	907.2 kg
	1 tonne	=	1000 kg
Volume (fluids)	1 Imp. pint	=	0.568 l
	1 U.S. pint	=	0.473 l
	1 Imp. quart	=	1.136 l
	1 U.S. quart	=	0.946 l
	1 Imp. gal	=	4.546 l
	1 U.S. gal	=	3.785 l
	1 Imp. barrel	= 36 Imp. gal	= 163.66 l
	1 barrel petroleum	= 42 U.S. gal	= 158.98 l
Force	1 lbf (pound force)	=	4.45 N
Pressure	1 psi (lb/sq in)	=	6.899 kPa (0.0689 bar)
Velocity	1 mph	=	1.609 km/h
	1 knot	=	1.853 km/h
Acceleration	1 mphps	=	0.447 m/s ²
Temperature	1 °C	=	0.55 x (°F -32)
Energy	1 BTU	=	1.06 kJ
	1 kcal	=	4.186 kJ
Power	1 kW	=	1.36 bhp
	1 kW	=	860 kcal/h
Volume	1 in ³	=	16.4 cm ³
	1 ft ³	=	0.0283 m ³
	1 yd ³	=	0.7645 m ³

Area	1 in ²	=	6.45 cm ²
	1 ft ²	=	929 cm ²
	1 yd ²	=	0.836 m ²
	1 acre	=	4047 m ²
	1 sq mile (of land)	= 640 acres =	2.59 km ²

Winterthur Gas & Diesel in brief

Winterthur Gas & Diesel Ltd. (WinGD) is a leading developer of low-speed gas and diesel engines used for propulsion power in merchant shipping. WinGD sets the industry standard for environmental sustainability, reliability, efficiency and safety. WinGD provides designs, training and technical support to engine manufacturers, shipbuilders and ship operators worldwide. Headquartered in Winterthur, Switzerland, since its inception as the Sulzer Diesel Engine business in 1893, it carries on the legacy of excellence in design.

www.wingd.com