

Available executions

Execution No.	Material ID	Cylinder No.
1	PTAA009989	5-8

SURFACE PROTECTION SEE GROUP 0344
 TOLERANCING PRINCIPLE ISO8015
 GENERAL TOLERANCES ACCORDING TO ISO2768-mK

NOTE

The above executions can be configured using the Engine Configurator. Detailed guidance for the executions is provided within the Marine Installation Manual (MIM). If a specific execution of interest is not shown in the above table, then it may still be under development or not available. For further information or in case of a project-specific request, WinGD must be contacted directly.

This publication is designed to provide accurate and authoritative information with regard to the subject-matter covered as it was available at the time of printing. However, the publication deals with complicated technical matters suited only for specialists in the area, and the design of the subject-products is subject to regular improvements, modifications and changes. Consequently, the publisher and copyright owner of this publication cannot accept any responsibility or liability for any eventual errors or omissions in this document or for discrepancies arising from the features of any actual item in the respective product being different from those shown in this publication. The publisher and copyright owner shall under no circumstances be held liable for any financial consequential damages or other loss, or any other damage or injury, suffered by any party making use of this publication or the information contained herein.

Prod.	X52DF X52DF-2.1								
Change History									
	-	sde101	dst009	27.10.2021	CNAA000871	new Design		-	-
	Rev.	Creator	Approver	Approval Date	Change ID	Change Synopsis	Approved	Activity Code	E C



AIR SUPPLY SYSTEM
 MIDS master drawing

separate BOM available

Dimension

Scale	-		NX	Units [mm] [kg]	Basic Material	Net Weight	0.001		
Copyright Winterthur Gas & Diesel Ltd. All rights reserved. By taking possession of the drawing the recipient recognizes and honours these rights. Neither the whole nor any part of this drawing may be used in any way for construction, fabrication, marketing or any other purpose nor copied in any way nor made accessible to third parties without the previous written consent of Winterthur Gas & Diesel Ltd.				Main Design	Design Group	9725	Q-Code XXXXX	Standard	WDS
				Qty per	A4	Item ID	PTAA014879		Drawing Page/s

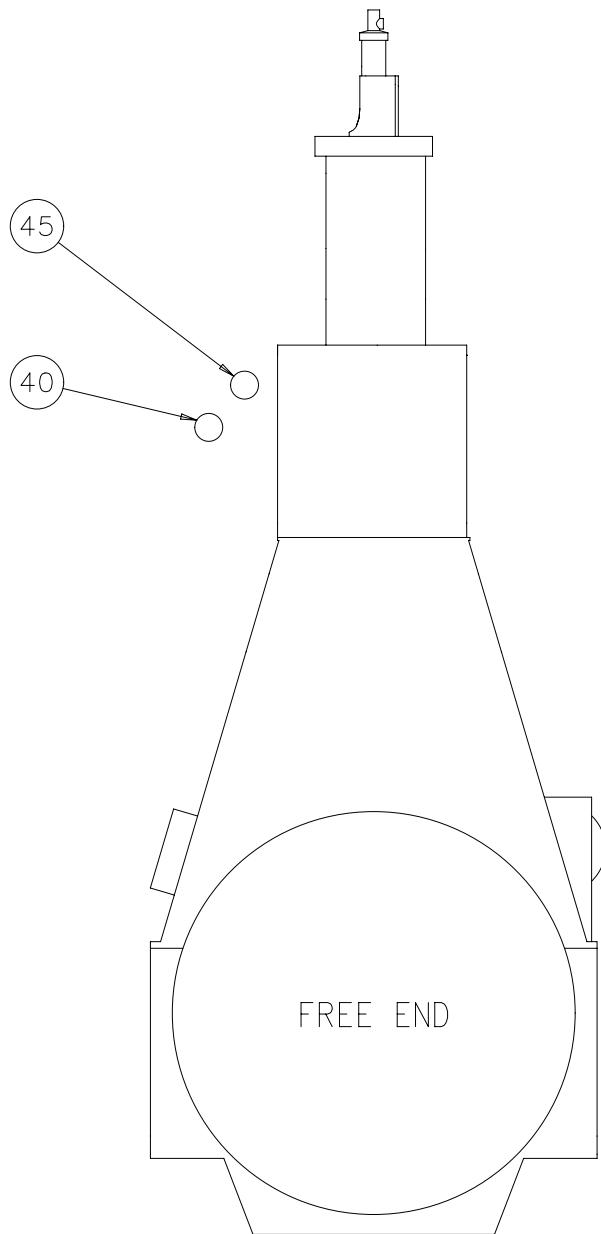
SEQ NO	QTY	Item ID	Item Name	Dimension	Standard-ID	Basic Material	Net Weight
1	1	PTAA011905	AIR SUPPLY SYSTEM				0

--	--	--	--	--	--	--	--

Prod.	5,6,7,8 X52DF								
	5,6,7,8 X52DF-2.1								
Change History									
	-	sde101	dst 009	27.10.2021	CNAA000871	Main Design/Drawing Introduced	-	-	
Rev.	Creator	Approver	Approval Date	Change ID	Change Synopsis	Approved	Activity Code	E	C

	AIR SUPPLY SYSTEM
--	-------------------

Bill Of Material			Dimension							
Copyright Winterthur Gas & Diesel Ltd. All rights reserved. By taking possession of the document the recipient recognizes and honours these rights. Neither the whole nor any part of this document may be used in any way for construction, fabrication, marketing or any other purpose nor copied in any way nor made accessible to third parties without the previous written consent of Winterthur Gas & Diesel Ltd.			Units	[m] [kg]	Basic Material			Net Weight	0	
			Main Design	Yes	Design Group	9725	Q-Code	XXXXX	Standard	WDS
			Qty per	Engine	A4	Item ID	PTAA009989			BOM Page/s



Specifications which must be met

- 40 INLET - Starting air
 Starting air pressure: 25 or 30 bar (according to design)
 Capacity of starting air receivers: according to GTD
- 45 INLET - Control air
 Control air pressure: 7-9 bar
 Control air quality has to be comply with the compressed air purity class: 5-4-3 according to ISO 8573-1(2010-04-15)

FREE END

Prod.	X52DF X52DF-2.1									
Change History										
	-	sde101	dst009	27.10.2021	CNAA000871	new Design		-	-	
	Rev.	Creator	Approver	Approval Date	Change ID	Change Synopsis		Approved	Activity Code	
					AIR SUPPLY SYSTEM					
Scale -					NX		Dimension			
SURFACE PROTECTION SEE GROUP 0344					Units [mm] [kg]		Basic Material		Net Weight 0.001	
TOLERANCING PRINCIPLE ISO8015					Main Design		Design Group 9725		Q-Code XXXXX	
GENERAL TOLERANCES ACCORDING TO ISO2768-mK					Qty per		A3 Item ID		PTAA011905	
Copyright Winterthur Gas & Diesel Ltd. All rights reserved. By taking possession of the drawing the recipient recognizes and honours these rights. Neither the whole nor any part of this drawing may be used in any way for construction, fabrication, marketing or any other purpose not copied in any way nor made accessible to third parties without the previous written consent of Winterthur Gas & Diesel Ltd.					Standard WDS		Drawing Page/s		1/2	

MIDS - WinGD X52DF/-1.1/-2.1 – Air Supply System (DG9725)

TRACK CHANGES

DATE	SUBJECT	DESCRIPTION
2021-11-03	DRAWING SET	First web upload of the separate DF specific MIDS

DISCLAIMER

© Copyright by Winterthur Gas & Diesel Ltd.

All rights reserved. No part of this document may be reproduced or copied in any form or by any means (electronic, mechanical, graphic, photocopying, recording, taping or other information retrieval systems) without the prior written permission of the copyright owner.

THIS PUBLICATION IS DESIGNED TO PROVIDE AN ACCURATE AND AUTHORITATIVE INFORMATION WITH REGARD TO THE SUBJECT-MATTER COVERED AS WAS AVAILABLE AT THE TIME OF PRINTING. HOWEVER, THE PUBLICATION DEALS WITH COMPLICATED TECHNICAL MATTERS SUITED ONLY FOR SPECIALISTS IN THE AREA, AND THE DESIGN OF THE SUBJECT-PRODUCTS IS SUBJECT TO REGULAR IMPROVEMENTS, MODIFICATIONS AND CHANGES. CONSEQUENTLY, THE PUBLISHER AND COPYRIGHT OWNER OF THIS PUBLICATION CAN NOT ACCEPT ANY RESPONSIBILITY OR LIABILITY FOR ANY EVENTUAL ERRORS OR OMISSIONS IN THIS BOOKLET OR FOR DISCREPANCIES ARISING FROM THE FEATURES OF ANY ACTUAL ITEM IN THE RESPECTIVE PRODUCT BEING DIFFERENT FROM THOSE SHOWN IN THIS PUBLICATION. THE PUBLISHER AND COPYRIGHT OWNER SHALL UNDER NO CIRCUMSTANCES BE HELD LIABLE FOR ANY FINANCIAL CONSEQUENTIAL DAMAGES OR OTHER LOSS, OR ANY OTHER DAMAGE OR INJURY, SUFFERED BY ANY PARTY MAKING USE OF THIS PUBLICATION OR THE INFORMATION CONTAINED HEREIN.