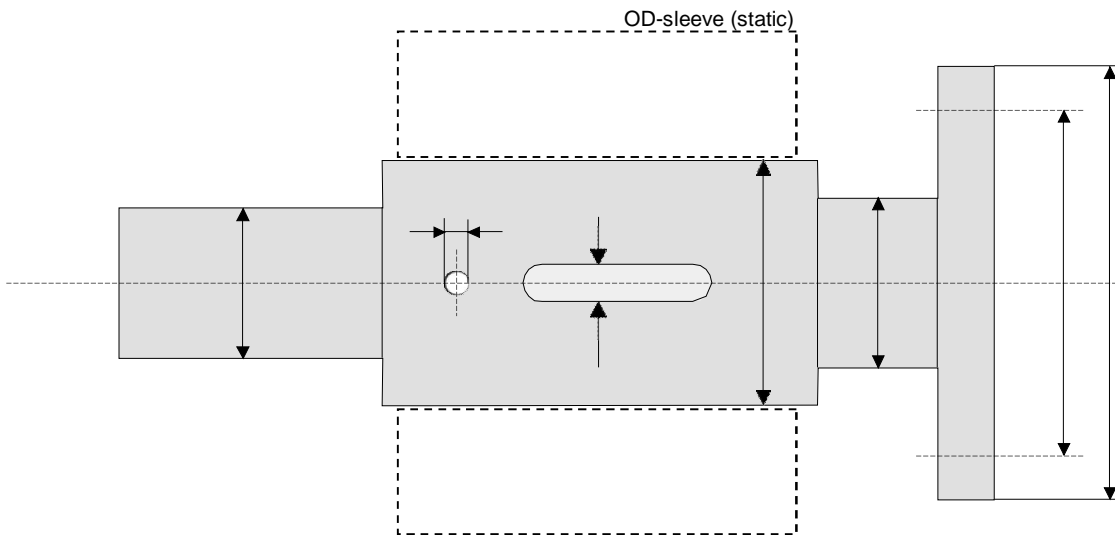
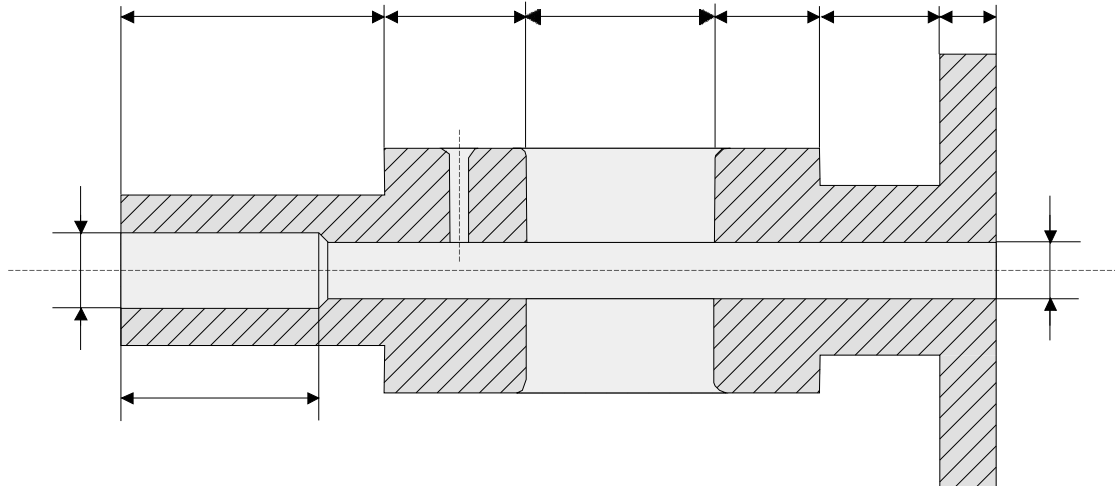


扭振计算所需轴资料  
Required information of OD-shafts for TVC



**Please fill in all dimensions indicated in the sketch**

请提供示意图上标出的所有尺寸。

**Project name** : .....

项目名称 : .....

**Shipyard** : .....

船厂 : .....

**Hull no.** : .....

船号 : .....

**Manufacturer of**

**OD-shaft** : .....

伺服油轴生产厂商 : .....

**OD-shaft type** : .....

伺服油轴型号 : .....

**UTS [N/mm<sup>2</sup>]** : .....

许用抗拉强度 : .....

**Mass of OD-shaft's sleeve [kg]**: .....

伺服油轴套筒质量 : .....

If available, please enclose a detailed drawing of the OD-shaft .

如果可能, 请附上伺服油轴的详细图纸.

**FORM\_WinGD\_2S\_Torsional Vibration Calculation (TVC) OD-Shaft\_Marine**

**TRACK CHANGES**

DATE	SUBJECT	DESCRIPTION
2017-12-12	DOCUMENT	First web upload

**DISCLAIMER**

© Copyright by Winterthur Gas & Diesel Ltd.

All rights reserved. No part of this document may be reproduced or copied in any form or by any means (electronic, mechanical, graphic, photocopying, recording, taping or other information retrieval systems) without the prior written permission of the copyright owner.

THIS PUBLICATION IS DESIGNED TO PROVIDE AN ACCURATE AND AUTHORITATIVE INFORMATION WITH REGARD TO THE SUBJECT-MATTER COVERED AS WAS AVAILABLE AT THE TIME OF PRINTING. HOWEVER, THE PUBLICATION DEALS WITH COMPLICATED TECHNICAL MATTERS SUITED ONLY FOR SPECIALISTS IN THE AREA, AND THE DESIGN OF THE SUBJECT-PRODUCTS IS SUBJECT TO REGULAR IMPROVEMENTS, MODIFICATIONS AND CHANGES. CONSEQUENTLY, THE PUBLISHER AND COPYRIGHT OWNER OF THIS PUBLICATION CAN NOT ACCEPT ANY RESPONSIBILITY OR LIABILITY FOR ANY EVENTUAL ERRORS OR OMISSIONS IN THIS BOOKLET OR FOR DISCREPANCIES ARISING FROM THE FEATURES OF ANY ACTUAL ITEM IN THE RESPECTIVE PRODUCT BEING DIFFERENT FROM THOSE SHOWN IN THIS PUBLICATION. THE PUBLISHER AND COPYRIGHT OWNER SHALL UNDER NO CIRCUMSTANCES BE HELD LIABLE FOR ANY FINANCIAL CONSEQUENTIAL DAMAGES OR OTHER LOSS, OR ANY OTHER DAMAGE OR INJURY, SUFFERED BY ANY PARTY MAKING USE OF THIS PUBLICATION OR THE INFORMATION CONTAINED HEREIN.